

# LAGUNA

---

## DFLUX1 & DFLUX3 Owner's Manual

---



MDCDF15510



MDCDF32201



Thank you for investing in a Laguna Tools DFLUX1 or DFLUX3 dust collector. These dust collectors are a part of a family of unique machines proudly offered by Laguna Tools. Every Laguna machine is engineered for years of dependable service. Please feel free to contact Laguna Tools if you have a question or suggestion. We appreciate working with you and your choice of a Laguna Tools machine for your shop.

Regards,  
Torben Helshoj  
President & Founder Laguna Tools

This manual applies to the DFLUX1 & DFLUX3 dust collectors. Enter the model number and serial number below for quick reference when ordering accessories, supplies or parts.

Model: \_\_\_\_\_ Date of purchase: \_\_\_\_\_

Serial: \_\_\_\_\_ Place of purchase: \_\_\_\_\_

**LATEST MANUAL:**

Below is a QR code which will direct you to the manual reference page, where the latest version of the manual is located on the Laguna Tools website. The online manual may have updates and information added after the printed copy was released. Scan the code with your smartphone or copy the URL link to be directed to the latest manual page to reference your specific machine and model.

<https://lagunatools.com/resources/product-manuals/#classic>



Laguna Tools 744 Refuge Way, Suite 200  
Grand Prairie TX 75050

800-234-1976

[www.lagunatools.com](http://www.lagunatools.com)

Revision: R01 V08 (11/13/2025)



## CONTENTS

|                               |       |
|-------------------------------|-------|
| Safety:                       | 04    |
| Important Safety Instructions | 05    |
| General Safety Rules          | 08    |
| Wiring Diagrams:              | 11-12 |
| Circuit Requirements          | 14    |
| Unpacking:                    | 15    |
| Inventory:                    | 15    |
| Assembly:                     | 19    |
| Operation:                    | 27    |
| Maintenance:                  | 28    |
| Trouble Shooting:             | 30    |
| Exploded View DFLUX1:         | 32    |
| Parts List DFLUX1             | 33    |
| Exploded View DFLUX3:         | 36    |
| Parts List DFLUX3             | 37    |
| Supplies:                     | 39    |
| Specifications:               | 40    |
| Warranty:                     | 41    |

# LAGUNA

---

## SAFETY

READ AND UNDERSTAND THIS MANUAL AND ALL INSTRUCTIONS BEFORE USING THIS EQUIPMENT. Failure to follow all instructions may result in electric shock, fire and/or serious personal injury or property damage! Electronic copies of this manual are available at [www.lagunatools.com](http://www.lagunatools.com).

### SAFETY GUIDELINES - DEFINITIONS

This manual contains information that is important for you to know and understand. This information relates to protecting YOUR SAFETY and PREVENTING EQUIPMENT PROBLEMS. To help you recognize this information, we use the symbols below. Please read the manual and pay attention to these sections.



Indicates an imminently hazardous situation which, if not avoided, **will** result in death or serious injury.



Indicates a potentially hazardous situation which, if not avoided, **could** result in death or serious injury.



Indicates a potentially hazardous situation which, if not avoided, **may** result in minor or moderate injury.



(Used without the safety alert symbol) indicates a potentially hazardous situation which, if not avoided, **may** result in property damage.

Woodworking (and similar materials) can be dangerous if safe and proper operating procedures are not followed. As with all machinery, there are certain hazards involved with the operation of the machine. Using the machine with respect and caution will considerably lessen the possibility of personal injury. However, if normal safety precautions are overlooked or ignored, personal injury to the operator may result. Safety equipment such as guards, push sticks, hold-downs, featherboards, goggles, dust masks and hearing protection can reduce the potential for injury. Even the best guard will not make up for poor judgement, carelessness or inattention. **Always use common sense** and exercise caution in the workshop. If a procedure feels dangerous, do not try it. Figure out an alternative procedure that is safer. **REMEMBER:** Your personal safety is your responsibility.



## IMPORTANT SAFETY INSTRUCTIONS

### **WARNING**

This machine was designed for certain applications only. We strongly recommend that this machine not be modified and/or used for any application other than that for which it was designed. If you have any questions relative to a particular application, DO NOT use the machine until you have first contacted the manufacturer to determine if it can or should be performed on the product.

If you have any questions relative to its application DO NOT use the product until you have contacted the manufacturer and we have advised you.

When using an electrical appliance/machine, basic precautions should always be followed, including the following:

READ ALL INSTRUCTIONS BEFORE USING (THIS APPLIANCE/MACHINE)

### **WARNING**

To reduce the risk of fire, electric shock, or injury:

1. Do not leave appliance when plugged in. Unplug from outlet when not in use and before servicing.
2. Do not use outdoors or on wet surfaces
3. Do not allow to be used as a toy. Close attention is necessary when used by or near children.
4. Use only as described in this manual. Use only manufacturer's recommended attachments.
5. Do not use with damaged cord or plug. If appliance is not working as it should, has been dropped, damaged, left outdoors, or dropped into water, return it to a service center.
6. Do not pull or carry by cord, use cord as a handle, close a door on cord, or pull cord around sharp edges or corners. Do not run appliance over cord. Keep cord away from heated surfaces.
7. Do not unplug by pulling on cord. To unplug, grasp the plug, not the cord.
8. Do not handle plug or appliance with wet hands.
9. Do not put any object into openings. Do not use with any opening blocked; keep free of dust, lint, hair, and anything that may reduce air flow.
10. Keep hair, loose clothing, fingers, and all parts of body away from openings and moving parts.
11. Turn off all controls before unplugging.
12. Use extra care when cleaning on stairs.
13. Do not use to pick up flammable or combustible liquids, such as gasoline, or use in areas where they may be present.
14. Connect to a properly grounded outlet only. See Grounding Instructions.



## SAVE THESE INSTRUCTIONS

1. Read and understand the warnings posted on the machine and in this manual. Failure to comply with all of these warnings may cause serious injury.
2. Replace the warning labels if they become obscured or removed.
3. This Dust Collector is designed and intended for use by properly trained and experienced personnel only. If you are not familiar with the proper and safe operation of this type of dust collector, do not use until proper training and knowledge have been obtained.
4. Do not use this machine for other than its intended use. If used for other purposes, **LAGUNA TOOLS INC.**, disclaims any real or implied warranty and holds itself harmless from any injury that may result from that use.
5. Always wear approved safety glasses/face shields while using this machine.
6. Before operating this dust collector, remove tie, rings, watches and other jewelry, and roll sleeves up past the elbows. Remove all loose clothing and confine long hair. Non-slip footwear or anti-skid floor strips are recommended. Do **not** wear gloves.
7. Wear ear protectors (plugs or muffs) during extended periods of operation.

### PROPOSITION 65 WARNING:

8. Some dust created by power sanding, sawing, grinding, drilling and other construction activities contain chemicals known to cause cancer, birth defects or other reproductive harm. Some examples of these chemicals are: (next page)
  - Lead from lead based paint.
  - Crystalline silica from bricks, cement and other masonry products.
  - Arsenic and chromium from chemically treated lumber.

Your risk of exposure varies, depending on how often you do this type of work. To reduce your exposure to these chemicals, work in a well-ventilated area and work with approved safety equipment, such as face or dust masks that are specifically designed to filter out microscopic particles.

9. Do not operate this machine while tired or under the influence of drugs, alcohol or any medication.
10. Make certain the switch is in the **OFF** position before connecting the machine to the power source.
11. Make certain the machine is properly grounded.
12. Make all machine adjustments or maintenance with the machine unplugged from the power source.
13. Form a habit of checking to see that all extra equipment such as adjusting keys, wrenches, scrap, stock, and cleaning rags are removed away from the machine before turning on.

# LAGUNA

14. Keep safety guards in place at all times when the machine is in use. If removed for maintenance purposes, use extreme caution and replace the guards immediately when maintenance is complete.
15. Make sure the dust collector is on a flat even surface and the wheels locked in place before use.
16. Check damaged parts. Before further use of the machine, a guard or other part that is damaged should be carefully checked to determine that it will operate properly and perform its intended function. Check for alignment of moving parts, binding of moving parts, breakage of parts, mounting and any other conditions that may affect its operation. A guard or other part that is damaged should be properly repaired or replaced.
17. Provide for adequate space surrounding work area and non-glare, overhead lighting.
18. Keep the floor around the machine clean and free of scrap material, oil and grease.
19. Keep visitors a safe distance from the work area. **Keep children away.**
20. Make your workshop child proof with padlocks, master switches or by removing starter keys.
21. Give your work undivided attention. Looking around, carrying on a conversation and "horse-play" are careless acts that can result in serious injury.
22. Maintain a balanced stance at all times so that you do not fall or lean against the dust collector. Do not overreach or use excessive force to perform any machine operation.
23. Use the right tool at the correct speed and feed rate. Do not force a tool or attachment to do a job for which it was not designed. The right tool will do the job better and safer.
24. Use recommended accessories; improper accessories may be hazardous.
25. Maintain machinery with care. Follow instructions for lubricating and changing accessories.
26. Turn off the machine before cleaning. Use a brush or compressed air to remove dust or debris — do not use your hands.
27. Do not stand on the machine. Serious injury could occur if the machine tips over.
28. Never leave the machine running unattended. Turn the power off and do not leave the machine until it comes to a complete stop.
29. Never operate or run the machine without closing the drum up against the lid. Failure to do so will result in the machine amperage increasing and may trip your circuit.



Familiarize yourself with the following safety notices used in this manual:

## **SAFETY GUIDELINES - DEFINITIONS**

This manual contains information that is important for you to know and understand. This information relates to protecting YOUR SAFETY and PREVENTING EQUIPMENT PROBLEMS. To help you recognize this information, we use the symbols, described earlier. Please read the manual and pay attention to these sections.

### **SAVE THESE INSTRUCTIONS.**

**Refer to them often and use them to instruct others.**

## **GENERAL SAFETY RULES**



**FAILURE TO FOLLOW THESE RULES MAY RESULT IN SERIOUS INJURY.**

**FOR YOUR OWN SAFETY, READ AND UNDERSTAND THE INSTRUCTION MANUAL BEFORE OPERATING THE MACHINE.** Learn the unit's application and limitations as well as the specific hazards peculiar to it.

**KEEP WORK AREA CLEAN.** Cluttered areas and benches invite accidents.

**DON'T USE IN DANGEROUS ENVIRONMENT.** Don't use this unit in damp or wet locations, or expose it to rain. Keep work area well-lighted.

**KEEP CHILDREN AND VISITORS AWAY.** All children and visitors should be kept a safe distance from work area.

**DISCONNECT UNIT** before servicing.

**CHECK DAMAGED PARTS.** Before further use of the unit, properly repair or replace any part that is damaged.



**FAILURE TO FOLLOW THESE RULES MAY RESULT IN SERIOUS INJURY.**



## **ADDITIONAL SAFETY FOR DUST COLLECTORS**

**Intended use.** This dust collector is only intended for collecting wood dust and chips from woodworking machines. Do not use this dust collector to collect metal, dirt, pebbles, drywall, asbestos, lead paint, silica, liquids, aerosols, or any flammable, combustible, or hazardous materials.

**Hazardous dust.** Dust created while using machinery may cause cancer, birth defects, or long-term respiratory damage. Be aware of dust hazards associated with each work piece material, and always wear a NIOSH-approved respirator to reduce your risk.

**Dust allergies.** Dust from certain woods may cause an allergic reaction in people and animals. Make sure you know what type of wood dust you will be exposed to in case there is a possibility of an allergic reaction.

**Wear respirator.** Fine dust that is too small to be caught in the filter will be blown into the ambient air during operation. Always wear a NIOSH-approved respirator during operation and for a short time after to reduce your risk of permanent respiratory damage.

**Emptying dust.** When emptying dust from the collection container, wear a respirator and safety glasses. Empty dust away from ignition sources and into an approved container.

**Disconnecting power supply.** Turn the switch off, disconnect the dust collector from the power supply, and allow the impeller to come to a complete stop before leaving the machine unattended or doing any service, cleaning, maintenance, or adjustments.

**Suspended dust particles and ignition sources.** Do not operate the dust collector in areas where explosion risks are high. Areas of high risk include, but are not limited to, areas near pilot lights, open flames, or other ignition sources.

**Fire suppression.** Only operate the dust collector in locations that contain a fire suppression system or have a fire extinguisher nearby.

**Impeller hazards.** Do not place your hands or tools near the open inlet during operation for any reason. The powerful suction could easily cause accidental contact with the impeller, which will cause serious personal injury or damage to the machine. Always keep small animals and children away from open dust collection inlets.

**Avoiding sparks.** Do not allow steel or rocks to strike the impeller—this may produce sparks.

# LAGUNA

Sparks can smolder in wood dust for a long time before a fire is detected. If you accidentally cut

into wood containing tramp metal (nails, staples, spikes, etc.), immediately turn **off** the dust collector, disconnect it from power, and wait for the impeller to stop—then empty the collection container into an approved airtight metal container.

**Operating location.** To reduce respiratory exposure to fine dust, locate permanently installed dust collectors away from the working area, or in another room that is equipped with a smoke detector. Do not operate the dust collector in rainy or wet locations—exposure to water may create a shock hazard or decrease the life of the machine.

**Static electricity.** Plastic dust lines generate high amounts of static electricity as dust chips pass through them. Although rare, sparks caused by static electricity can cause explosions or fire. To reduce this risk, make sure all dust lines are thoroughly grounded by using a grounding wire.

**Regular cleaning.** Regularly check/empty the collection bags or drum to avoid the buildup of fine dust that can increase the risk of fire. Make sure to regularly clean the surrounding area where the machine is operated—excessive dust buildup on overhead lights, heaters, electrical panels, or other heat sources will increase the risk of fire.

# LAGUNA

## WIRING DIAGRAMS

### DFLUX1: 110 volt POWER CONNECTIONS/DIAGRAM

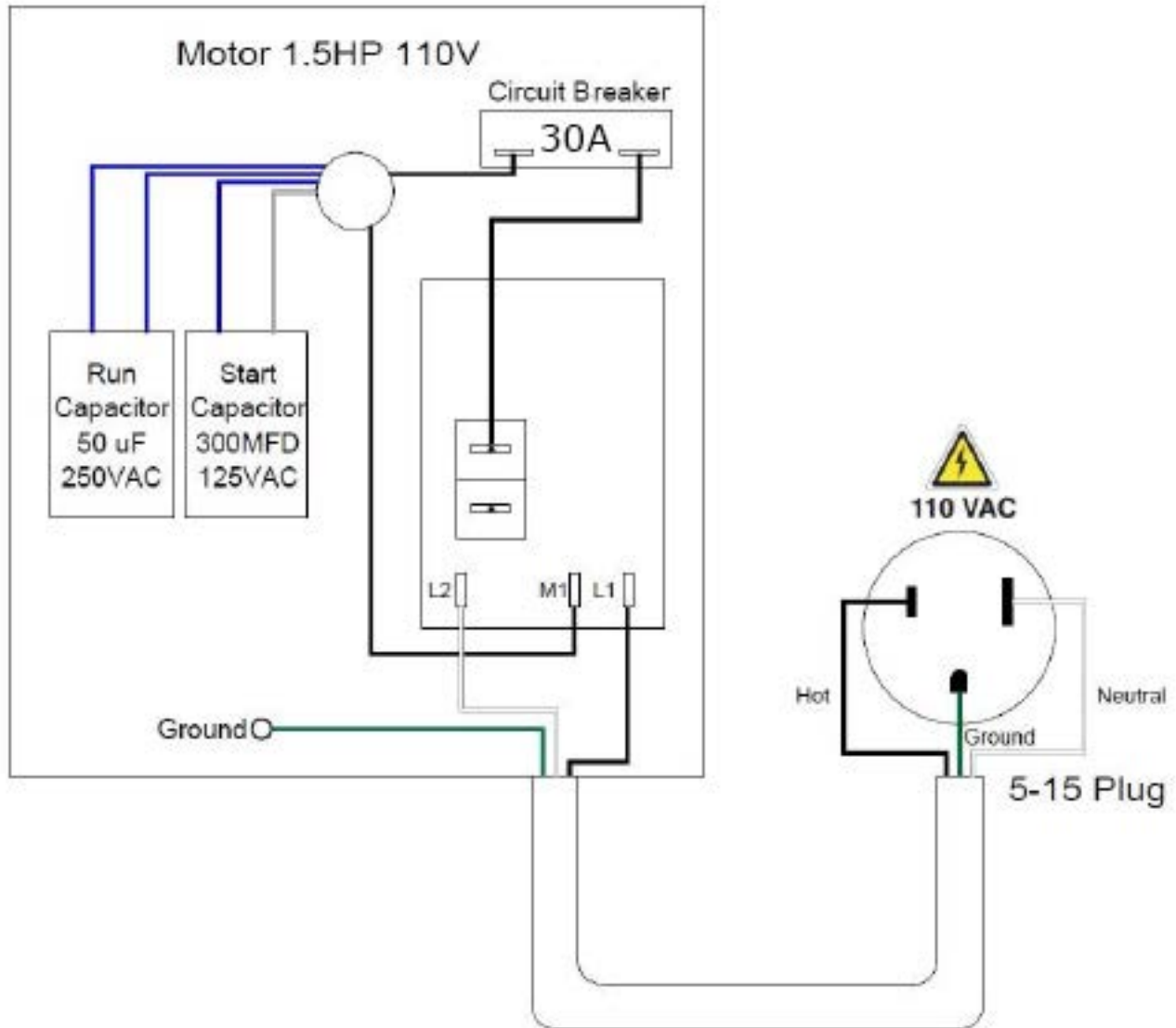


Figure 1: 110 Volt Power Connections & Wiring, DFLUX1

# LAGUNA

## DFLUX3: 220 volt POWER CONNECTIONS/DIAGRAM

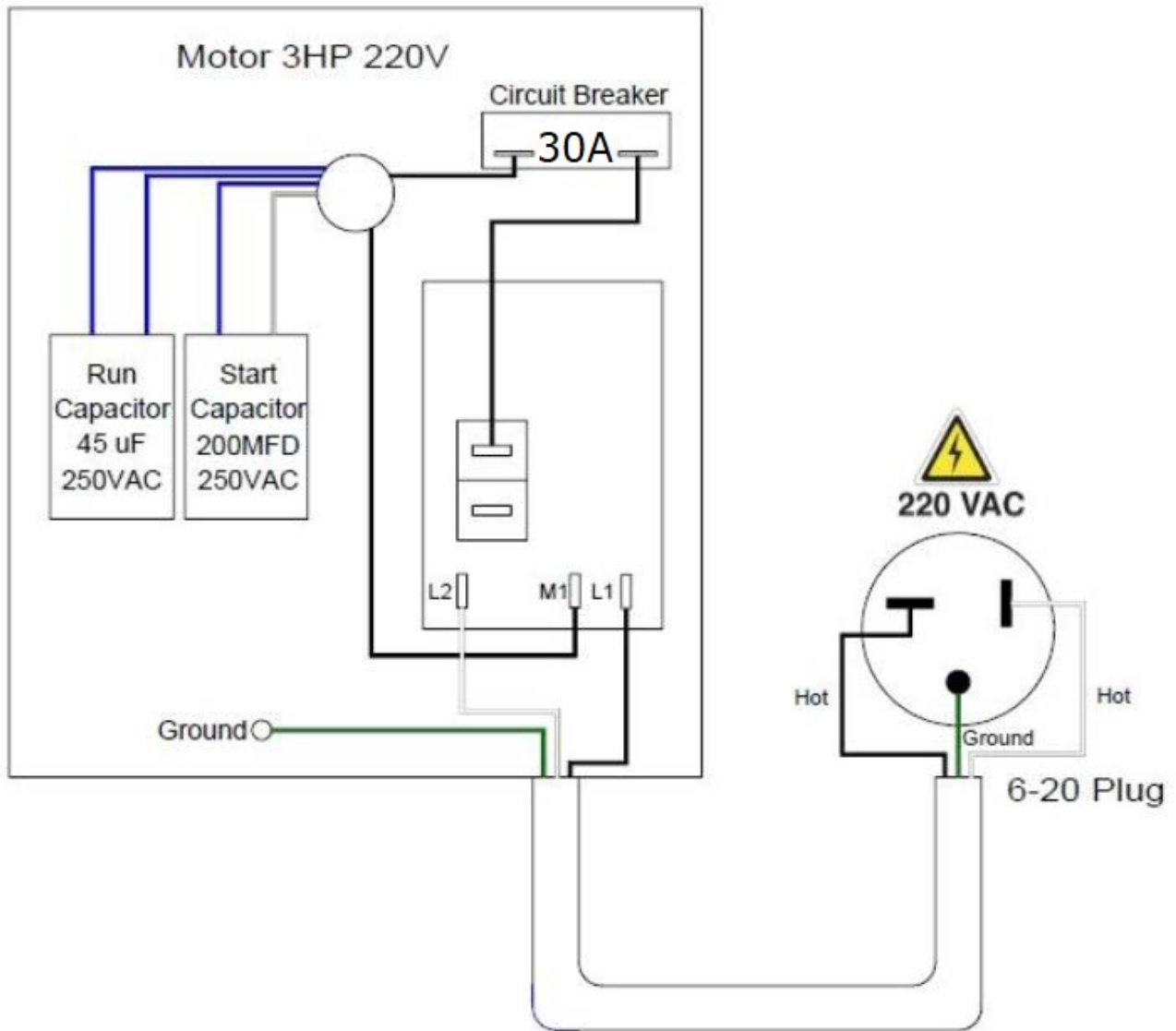


Figure 2: 220 Volt Power Connections & Wiring, DFLUX3



DO NOT EXPOSE THE MACHINE TO RAIN OR OPERATE THE MACHINE IN DAMP LOCATIONS.

## MOTOR SPECIFICATIONS

The DFLUX1 is wired for 110 volt, 60 HZ alternating current with a 1.5 HP motor.

The DFLUX3 is wired for 220 volt, 60 HZ alternating current, with a 3 HP motor.

Before connecting the machine to the power source, make sure the switch is in the "OFF" position.

## GROUNDING INSTRUCTIONS



THIS MACHINE MUST BE GROUNDED WHILE IN USE TO PROTECT THE OPERATOR FROM ELECTRIC SHOCK.

1. This appliance must be connected to a grounded metal, permanent wiring system; or an equipment-grounding conductor must be run with the circuit conductors and connected to the equipment-grounding terminal or lead on the appliance.

The installer, such as a qualified electrician, cut (or bend over) and insulate the grounding conductor from a field wiring supply cable.

In the event of certain types of malfunctions or breakdowns, grounding provides a path of least resistance for electric current—in order to reduce the risk of electric shock.

Improper connection of the equipment-grounding wire can result in a risk of electric shock. The wire with green insulation (with or without yellow stripes) is the equipment-grounding wire. If repair or replacement of the power cord or plug is necessary, do not connect the equipment-grounding wire to a live (current carrying) terminal.

Check with a qualified electrician or service personnel if you do not understand these grounding requirements, or if you are in doubt about whether the tool is properly grounded. If you ever notice that a cord or plug is damaged or worn, disconnect it from power, and immediately replace it with a new one.

### Full Load amperage Draw

DFLUX1 Amp draw at 110V ..... 20 Amps

DFLUX3 Amp draw at 220V ..... 20 Amps

### Startup Amperage Draw

DFLUX1 Amp draw at 110V ..... 25 Amps

DFLUX3 Amp draw at 220V .....25 Amps

# LAGUNA

## Circuit Requirements & Power Supply

The power source circuit for your machine must be grounded and rated for the amperage given below. Never replace a circuit breaker on an existing circuit with one of higher amperage without consulting a qualified electrician to ensure compliance with wiring codes. **If you are unsure about the wiring codes in your area or you plan to connect your machine to a shared circuit, consult a qualified electrician.**

**Circuit Size (110V, DFLUX1) .....30 Amp min.**

**Circuit Size (220V, DFLUX3).....30 Amp min.**



IN ALL CASES, MAKE CERTAIN THE RECEPTACLE IN QUESTION IS PROPERLY GROUNDED. IF YOU ARE NOT SURE, HAVE A QUALIFIED ELECTRICIAN CHECK THE RECEPTACLE.



**Figure 3: ON / OFF buttons (switch)**



**Figure 4: Remote Control ON/OFF**

**NOTE:** Replacement batteries for the remote control, CR2032.



## UNPACKING

Your DFLUX Cyclone comes packed in a single box. Before attempting to assemble this machine, follow these directions for unpacking:

1. Carefully cut the banding straps and remove them from the box.
2. Cut along the tape line at the top of the box.
3. Remove all parts from the top of the foam and set aside.
4. Remove the foam packing material from the top of the machine and **set aside** for further use, during assembly.
5. Cut the cardboard box (top to bottom) in the four corners for easy removal of the box.
6. Carefully take out the machine components from the box and set aside.
7. Using the diagram below, ensure that all parts are present and in good condition.

Report any missing or damaged parts to your dealer or distributor. Prior to tool assembly and use, read this manual thoroughly to familiarize yourself with proper assembly, maintenance and safety procedures.

### Inventory DFLUX3 (DFLUX1 similar, not identical)

| DESCRIPTION                         |                              |
|-------------------------------------|------------------------------|
| A. Impeller Housing                 | O. Caster 3", Locking Swivel |
| B. Intake Barrel                    | P. Caster 2", Swivel         |
| C. Cyclone Funnel w Clamp           | Q. Collection Drum Handle    |
| D. Collection Drum Lid              | R. Paddle Handle Spindle     |
| E. Collection Drum                  | S. Band Clamp                |
| F. Base                             | T. Filter Paddle Handle      |
| G. Top Left Supports                | U. Inlet Adapter 8" X 4" X 3 |
| H. Top Right Supports               | V. Magnet Vacuum Port        |
| I. Lower Left Supports              | W. Hose Clamp                |
| J. Lower Right Supports             | X. Bag Clamp                 |
| K. Reinforcement Plates             | Y. Hose Clamp                |
| L. Drum Lock Handle w Handle Guides | Z. Canister Filter           |
| M. Lock Handle Cover                | AA. Flex Hose                |
| N. Filter Cover Plate               | AB. Vacuum Hose              |

# LAGUNA

## Inventory

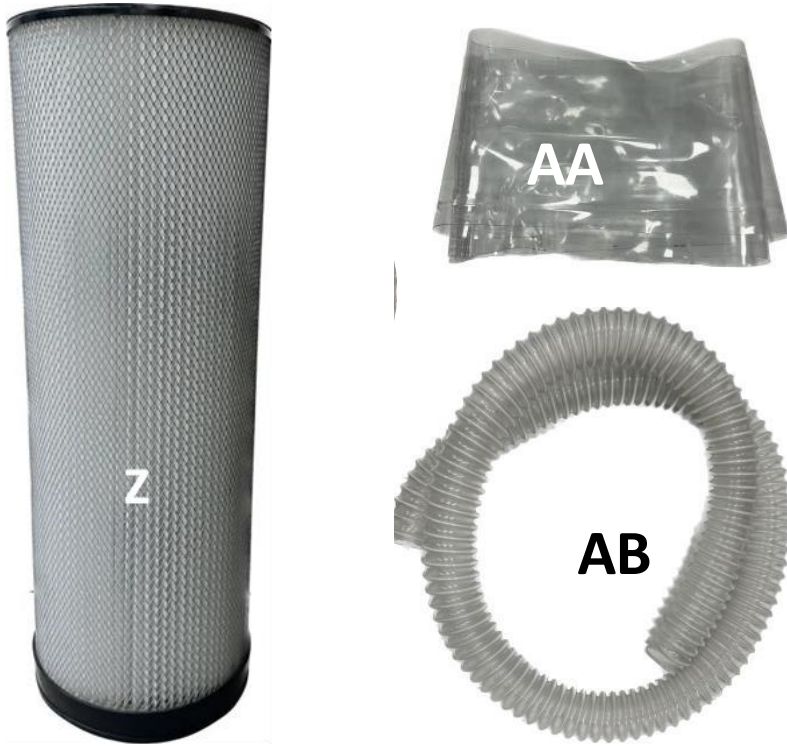


Figure 6A: Inventory DFLUX3 (DFLUX1 similar)

# LAGUNA



**Figure 6B: Inventory DFLUX3 (DFLUX1 similar)**



**Figure 6C: Inventory DFLUX3 (DFLUX1 similar)**

## ASSEMBLY

**This step requires two adults.** The Mobile Dust Cyclone is heavy, be careful when lifting and handling it! Failure to comply may cause serious injury and/or damage to the machine and/or property!

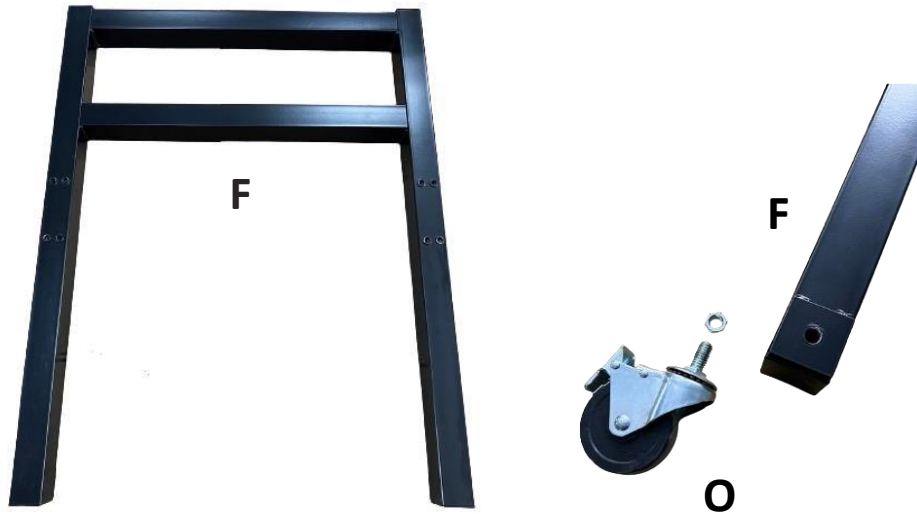
**Tools/items Required:**

- 8mm wrench
- 10mm wrench
- 12mm wrench
- Phillips screwdriver

# LAGUNA

To assemble your dust cyclone, follow these steps:

For your own safety, do not connect the machine to the power source until the machine is completely assembled. Please also make sure that you read and understand the entire instruction manual.



**1.** Turn base upside-down. Attach (4) 3" locking swivel casters to bottom of base, and secure each caster with (4) 1/2" nuts.



**2.** Attach two lower support leg to base, secure with (8) 5/16" - 18 x 3/4 flange bolts.

# LAGUNA



**3.** Attach two top support leg to lower leg, using 5/16"- 18 x 3/4" flange bolts and 5/16" flange nuts. Attach reinforcement plates to both support legs, secure reinforcement plates with 5/16"- 18 x 3/4" flange bolts and 5/16" flange nuts.

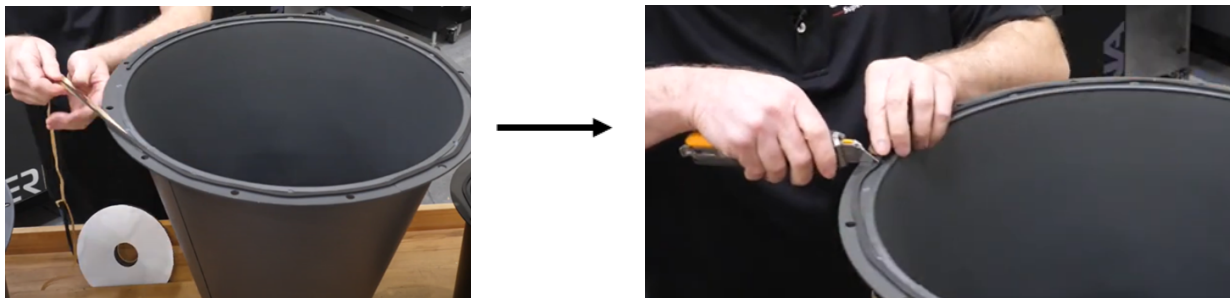


**4.** With help of two assistants, lift impeller housing onto support legs. Secure impeller housing with 5/16"- 18 x 3/4" flange bolts.

# LAGUNA



5. Grab the foam tape and peel off the adhesive plastic covering. Place the foam tape around the top of the intake barrel. Press the tape firmly in place. Cut off excess tape with a knife. Have an assistant align intake barrel so that the dust port points straight out from impeller housing, then attach to impeller housing with 5/16"-18 x 3/4" flange bolts.



6. If not already done, place the foam tape around the top of the funnel. Press the tape firmly in place. Cut off excess tape with a knife. Place funnel on bottom of intake barrel. Then position clamp so band captures lip at top of funnel and lip at bottom of barrel. Tighten clamp to secure.

# LAGUNA



**7.** Correctly position the handle to where it will not contact the drum lid. Pass a 5/16" -18 x 3/4" flange bolt through the handle guides and the lock handle cover, secure it to both side uprights using a 5/16" flange nut.



**8.** With collection drum lid mounting brackets facing up, orient lid so dust port, flexible hose, and spring brackets align. Secure collection drum lid with 5/16" flange nut.

**9.** Connect ground wire to Reinforcement Plates, then secure Collection Drum Lid and ground wire using 10-24 x 3/8" screw and nut.

# LAGUNA



10. Attach flexible hose to cyclone funnel and secure with hose clamp(s).



11. Attach 2" swivel casters to collection drum, using 5/16"-18 hex nut on each.

12. Adjust pre-installed flange nut and hex nut until drum rolls evenly without rocking or wobbling, then tighten both nuts to secure caster in place.

13. Install the rubber gasket around the top rim of the collection drum. This will ensure an airtight connection. Trim any excess off.

14. Attach handle to collection drum using 1/4" - 20 x 5/8" Phillips head screws and 1/4"-20 acorn nuts.

15. Insert large plastic dust bag inside collection drum, and fold excess length of bag over top of collection drum.

# LAGUNA

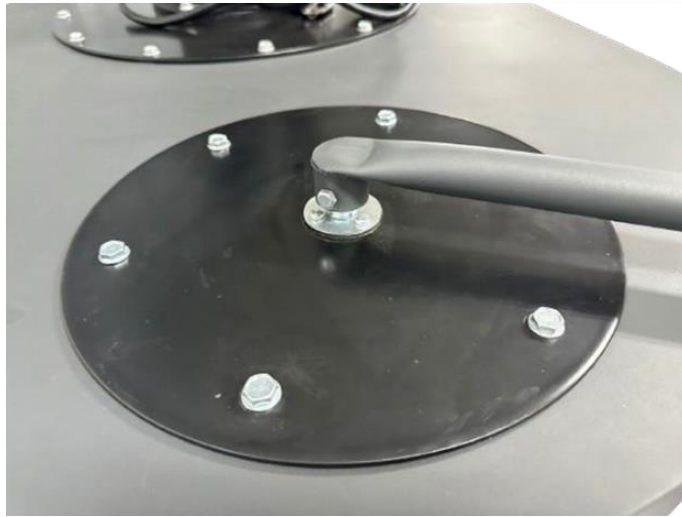


**15.** Place 1-3/4" hose clamps on each end of 1- 1/2" x 60" vacuum hose, then connect hose to ports on cyclone funnel and magnet vacuum Port.



**16.** While assistant holds canister filter under impeller housing, reach into impeller housing and attach canister filter to impeller housing with 5/16"-18 x 3/4" flange bolts.

**17.** Insert filter handle spindle so one of two M6-1 x 16 cap screw tips aligns with flat on side of filter paddle spindle, then tighten both cap screws to secure spindle.



**18.** Slide filter paddle cover over filter handle spindle, then secure with 5/16"-18 x 3/4" flange bolts.

**19.** Install filter cleaning handle on spindle so that M6-1 x 16 hex bolt tip aligns with spindle flat, then tighten hex bolt.



**20.** Attach plastic filter bag to canister filter and secure with bag clamp.

# LAGUNA



**21.** Install inlet adapter on dust port and secure with 10-24 x 3/8" flange screw.



**22.** Assembly complete.

# LAGUNA

## POWER SUPPLY

### Power Supply Circuit Requirements

The power source circuit for your machine must be grounded and rated for the amperage given below. Never replace a circuit breaker on an existing circuit with one of higher amperage without consulting a qualified electrician to ensure compliance with wiring codes. **If you are unsure about the wiring codes in your area or you plan to connect your machine to a shared circuit, consult a qualified electrician.**

**Circuit Size (110V, DFLUX1) .....30 Amp minimum**

**Circuit Size (220V, DFLUX3) .....30 Amp minimum**



IN ALL CASES, MAKE CERTAIN THE RECEPTACLE IS PROPERLY GROUNDED. IF YOU ARE NOT SURE, HAVE A QUALIFIED ELECTRICIAN CHECK THE RECEPTACLE.

### 110 VOLT Single-Phase Operation, DFLUX1

The motor supplied with the DFLUX1 is a 110 volt motor. It is shipped ready-to-run for 110 Volt operation. **Do not** rewire for other voltage!

### 220 VOLT Single-Phase Operation, DFLUX3

The motor supplied with the DFLUX3 220 volt motor. It is shipped ready-to-run for 220 Volt operation. **Do not** rewire for other voltage!

## CAUTION

**DO NOT rewire either machine for voltages other than pre-wired from the factory!**

## OPERATION

1. Make sure at least one blast gate is open, if connected to a dust collection system with blast gates, before turning ON.

## CAUTION

Never operate dust collector with all blast gates closed!

# LAGUNA

2. Confirm the electrical supply is correct and connected to machine.
3. Make sure no one is working on or doing maintenance to dust collector.
4. To start, press the ON button on either the ON/OFF switch or remote control.
5. To stop, press the OFF button on either the ON/OFF switch or remote control.

## MAINTENANCE

### CLEANING THE FILTER

To ensure proper operation of this Mobile Dust Cyclone, the pleated canister filter must have adequate air flow. This means the filter must be regularly maintained.



### DISCONNECT MACHINE FROM POWER!

The filter cleaner crank knocks dust particulate and small debris from the pleated filter and into the filter bag. To improve the effectiveness of the paddles, slowly rotate the handle while simultaneously blowing, with compressed air, (from outside – in) into the pleats. This will assist the release of fine dust from the inside of the pleats. NOTE: using the blowing function, (hose connected to exhaust port) of a vacuum cleaner, can also help dislodge dust, if compressed air is not available.

To keep your machine in good working condition, it is recommended to use the filter cleaner crank to clean the filter after every use.

To clean the filter using the crank simply rotate the crank handle back & forth.

**NOTE:** Excessive turning of the filter cleaner crank or fast turning will prematurely wear the interior of the pleated filter.

### EMPTYING OR REPLACING THE FILTER BAG

Periodically check the filter bag, if it is more than one third full, it is recommended that you empty it.

**NOTE:** If the filter bag gets too full, the weight may force it to pull away from the band clamp, exposing the user to potentially harmful particulates.

1. Turn Power off and unplug collector.
2. Release the band clamp at the bottom of the filter and remove the filter bag.
3. Empty or replace the filter bag and re-attach using the spring-loaded band clamp.



## **EMPTYING THE DRUM**

Periodically inspect the contents of the collection drum and empty as needed. To inspect the contents of the drum:

1. Turn power OFF and unplug dust collector.
2. Remove the vacuum hose from the bottom of the collection drum.
3. Lift the lever handle to raise the lid from the collection drum.
4. Roll the collection drum away from the machine, inspect and empty as needed.

## **ROUTINE INSPECTION**

It is a good idea to routinely inspect all quality woodworking tools in order to keep them in optimum condition. This includes inspecting all hardware for tightness, confirm filters are clean, and cleaning debris and dust from any surfaces and moving parts.



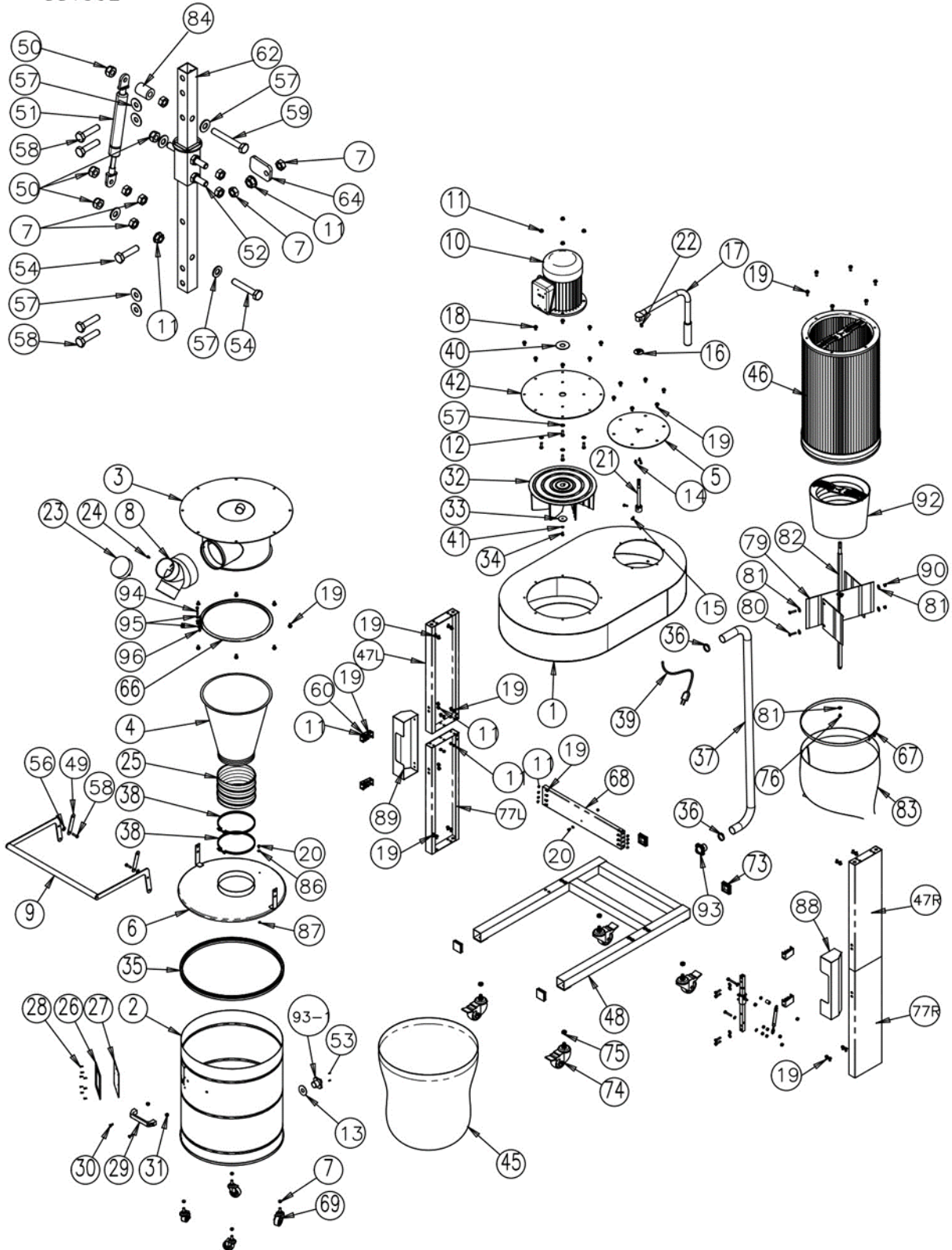
## Machine Operation

| Symptom   | Possible Cause   | Possible Solution  |
|---|--|--|
| Loud, repetitious noise, or excessive vibration coming from dust collector (non-motor related). | <ol style="list-style-type: none"> <li>1. Dust collector not on a flat surface and wobbles.</li> <li>2. Impeller damaged and unbalanced.</li> <li>3. Impeller loose on the motor shaft.</li> </ol>   | <ol style="list-style-type: none"> <li>1. Stabilize dust collector; lock casters.</li> <li>2. Inspect/replace.</li> <li>3. Secure impeller; replace motor and impeller as a set if motor shaft and impeller hub are damaged.</li> </ol>  |
| Dust collector does not adequately collect dust or chips; poor performance.                     | <ol style="list-style-type: none"> <li>1. Collection bag full.</li> <li>2. Canister filter clogged/at fault.</li> <li>3. Ducting blocked/restricted.</li> <li>4. Dust collector too far away from point of suction; duct clamps not properly secured; too many sharp bends in ducting.</li> <li>5. Lumber is wet and dust is not flowing smoothly through ducting.</li> <li>6. Ducting has one or more leaks, or too many open ports.</li> <li>7. Not enough open branch lines at one time, causing velocity drop in main line.</li> <li>8. Ducting and ports are incorrectly sized.</li> <li>9. The machine dust-collection design inadequate.</li> <li>10. Dust collector undersized.</li> </ol> | <ol style="list-style-type: none"> <li>1. Empty collection bag.</li> <li>2. Clean canister filter                      replace canister filter</li> <li>3. Remove ducting from dust collector inlet and unblock restriction. A plumbing snake may be necessary.</li> <li>4. Relocate dust collector closer to point of suction; re-secure ducts; remove sharp bends. Refer to <b>Designing the System</b> in manual.</li> <li>5. Only process lumber with less than 20% moisture content.</li> <li>6. Seal/eliminate all ducting leaks; close dust ports for lines not being used. Refer to <b>Designing the System</b> in manual.</li> <li>7. Open 1 or 2 more blast gates to different branch lines to increase main line velocity.</li> <li>8. Install correctly sized ducts and fittings<br/>Refer to <b>Designing the System</b> in manual.</li> <li>9. Use dust-collection hood on stand.</li> <li>10. Install larger dust collector.</li> </ol> |
| Dust collector blows sawdust into the air.  | <ol style="list-style-type: none"> <li>1. Duct clamps or filter bag(s) are not properly clamped and secured; ducting loose/damaged.</li> <li>2. Cylinder or funnel seals are loose or damaged.</li> </ol>  | <ol style="list-style-type: none"> <li>1. Re-secure ducts and filter bag, making sure duct and bag clamp are tight; tighten/replace ducting.</li> <li>2. Retighten all mounting and sealing points; replace damaged seals/gaskets.</li> </ol>  |
| Remote control does not operate dust collector.   | <ol style="list-style-type: none"> <li>1. Emergency Stop button is pressed in.</li> <li>2. Machine is disconnected from power.</li> <li>3. Remote control battery is weak or dead.</li> <li>4. A wall or barrier disrupts the radio frequency, or controller is too far away.</li> <li>5. Remote control not paired with receiver.</li> </ol>  | <ol style="list-style-type: none"> <li>1. Rotate E-Stop button to reset.</li> <li>2. Verify machine is connected to power source.</li> <li>3. Replace battery.</li> <li>4. Move machine away from barrier; use remote within 75' of machine.</li> <li>5. Program receiver to accept remote control</li> </ol>  |

# LAGUNA

## DFLUX1 Exploded View

88150E





## Parts List DFLUX1

| Ref # | Part Number   | Description                    | Qty |
|-------|---------------|--------------------------------|-----|
| 1     | PDCDF15510-1  | IMPELLER HOUSING               | 1   |
| 2     | PDCDF15510-2  | COLLECTION DRUM                | 1   |
| 3     | PDCDF15510-3  | INTAKE BARREL                  | 1   |
| 4     | PDCDF15510-4  | CYCLONE FUNNEL                 | 1   |
| 5     | PDCDF15510-5  | FILTER COVER PLATE             | 1   |
| 6     | PDCDF15510-6  | COLLECTION DRUM LID            | 1   |
| 7     | PDCDF15510-7  | HEX NUT 5/16-18                | 18  |
| 8     | PDCDF15510-8  | INLET ADAPTER 6" X 4" X 2      | 1   |
| 9     | PDCDF15510-9  | LEVER HANDLE                   | 1   |
| 10    | PDCDF15510-10 | MOTOR 1.5HP 110V 1-PH          | 1   |
| 11    | PDCDF15510-11 | HEX NUT 5/16-18                | 43  |
| 12    | PDCDF15510-12 | HEX BOLT 5/16-18 X 1           | 4   |
| 13    | PDCDF15510-13 | RUBBER GASKET                  | 1   |
| 14    | PDCDF15510-14 | PHLP HD SCR M5-.8 X10          | 3   |
| 15    | PDCDF15510-15 | Socket head cap screw M6 X 16  | 2   |
| 16    | PDCDF15510-16 | PADDLE HANDLE SPINDLE RETAINER | 1   |
| 17    | PDCDF15510-17 | FILTER PADDLE HANDLE           | 1   |
| 18    | PDCDF15510-18 | FLANGE BOLT 5/16-18 X 1/2      | 8   |
| 19    | PDCDF15510-19 | FLANGE BOLT 5/16-18 X 3/4      | 60  |
| 20    | PDCDF15510-20 | PHLP HD SCR 3/16 X 3/8         | 2   |
| 21    | PDCDF15510-21 | PADDLE HANDLE SPINDLE          | 1   |
| 22    | PDCDF15510-22 | HEX BOLT M6-1 X 16             | 1   |
| 23    | PDCDF15510-23 | INLET ADAPTER CAP 4"           | 1   |
| 24    | PDCDF15510-24 | PHLP HD SCR 3/16 X 3/8         | 1   |
| 25    | PDCDF15510-25 | FLEX HOSE 7"                   | 1   |
| 26    | PDCDF15510-26 | FOAM GASKET                    | 1   |
| 27    | PDCDF15510-27 | DRUM WINDOW ACRYLIC            | 1   |
| 28    | PDCDF15510-28 | RIVET ALUMINUM                 | 8   |
| 29    | PDCDF15510-29 | COLLECTION DRUM HANDLE         | 1   |
| 30    | PDCDF15510-30 | PHLP HD SCR 1/4-20 X 5/8       | 2   |
| 31    | PDCDF15510-31 | ACORN NUT 1/4-20               | 2   |
| 32    | PDCDF15510-32 | IMPELLER 12-3/4"               | 1   |
| 33    | PDCDF15510-33 | IMPELLER WASHER                | 1   |
| 34    | PDCDF15510-34 | CAP SCREW M6-1 X 30            | 1   |
| 35    | PDCDF15510-35 | COLLECTION DRUM GASKET         | 1   |
| 36    | PDCDF15510-36 | HOSE CLAMP 1-3/4"              | 2   |
| 37    | PDCDF15510-37 | VACUUM HOSE 1-1/2"             | 1   |

# LAGUNA

|     |                |                                |    |
|-----|----------------|--------------------------------|----|
| 38  | PDCDF15510-38  | HOSE CLAMP 12-1/2"             | 2  |
| 39  | PDCDF15510-39  | POWER CORD                     | 1  |
| 40  | PDCDF15510-40  | RUBBER GASKET                  | 1  |
| 41  | PDCDF15510-41  | LOCK WASHER 1/4                | 1  |
| 42  | PDCDF15510-42  | MOTOR PLATE                    | 1  |
| 45  | PDCDF15510-45  | COLLECTION DRUM BAG 30" X 41"  | 1  |
| 46  | PDCDF15510-46  | CANISTER FILTER ASSY           | 1  |
| 47R | PDCDF15510-47R | RIGHT UPPER SUPPORT LEG        | 1  |
| 47L | PDCDF15510-47L | LEFT UPPER SUPPORT LEG         | 1  |
| 48  | PDCDF15510-48  | BASE                           | 1  |
| 49  | PDCDF15510-49  | LINKAGE PLATE                  | 2  |
| 50  | PDCDF15510-50  | LOCK NUT 5/16-18               | 8  |
| 51  | PDCDF15510-51  | PENUMATIC ROD                  | 2  |
| 52  | PDCDF15510-52  | SPRING BRACKET                 | 2  |
| 53  | PDCDF15510-53  | RIVET ALUMINUM                 | 2  |
| 54  | PDCDF15510-54  | HEX BOLT 5/16-18 X 1-3/4       | 3  |
| 55  | PDCDF15510-55  | COPPER PLATE                   | 8  |
| 56  | PDCDF15510-56  | PLASTIC WASHER 10x21x1.6T      | 4  |
| 57  | PDCDF15510-57  | WASHER 5/16"x16                | 14 |
| 58  | PDCDF15510-58  | HEX BOLT 5/16-18 X 1-1/4       | 10 |
| 59  | PDCDF15510-59  | HEX BOLT 5/16-18 X 2-1/4       | 2  |
| 60  | PDCDF15510-60  | LOCK HANDLE GUIDE FIXING PIECE | 4  |
| 62  | PDCDF15510-62  | LOCK HANDLE GUIDE              | 2  |
| 64  | PDCDF15510-64  | LOCK HANDLE STOP               | 1  |
| 66  | PDCDF15510-66  | CLAMP                          | 1  |
| 67  | PDCDF15510-67  | BAG CLAMP                      | 1  |
| 68  | PDCDF15510-68  | SUPPORTING BOARD               | 1  |
| 69  | PDCDF15510-69  | CASTER 2", SWIVEL              | 4  |
| 73  | PDCDF15510-73  | END CAP 50x50                  | 4  |
| 74  | PDCDF15510-74  | 3" Caster with brake           | 4  |
| 75  | PDCDF15510-75  | NUT 1/2"                       | 4  |
| 76  | PDCDF15510-76  | PHLP HD SCR M6 X 10            | 1  |
| 77R | PDCDF15510-77R | RIGHT LOWER SUPPORT LEG        | 1  |
| 77L | PDCDF15510-77L | LEFT LOWER SUPPORT LEG         | 1  |
| 79  | PDCDF15510-79  | FILTER PADDLE                  | 4  |
| 80  | PDCDF15510-80  |                                | 8  |
| 81  | PDCDF15510-81  | FENDER WASHER 1/4 x 15         | 17 |
| 82  | PDCDF15510-82  | FILTER PADDLE SPINDLE          | 1  |
| 83  | PDCDF15510-83  | FILTER BAG 20" X 23"           | 1  |

# LAGUNA

|      |                 |                            |   |
|------|-----------------|----------------------------|---|
| 84   | PDCDF15510-84   | PLASTIC SAPCER SLEEVE      | 2 |
| 86   | PDCDF15510-86   | EXT TOOTH WASHER           | 2 |
| 87   | PDCDF15510-87   | HEX NUT 3/16"              | 2 |
| 88   | PDCDF15510-88   | SIDE COVER (RIGHT)         | 1 |
| 89   | PDCDF15510-89   | SIDE COVER (LEFT)          | 1 |
| 90   | PDCDF15510-90   | LOCK NUT 1/4"              | 8 |
| 92   | PDCDF15510-92   | SILENCER BARREL            | 1 |
| 93   | PDCDF15510-93   | 1-1/2" MAGNETIC CONNECTORS | 1 |
| 93-1 | PDCDF15510-93-1 | 1-1/2" MAGNETIC CONNECTORS | 1 |
| 94   | PDCDF15510-94   | HEX BOLT 1/4" X 2"         | 1 |
| 95   | PDCDF15510-95   | FENDER WASHER 1/4 x 13     | 2 |
| 96   | PDCDF15510-96   | NUT 1/4"                   | 1 |





## Parts List DFLUX3

| Ref # | Part Number   | Description                     | Qty |
|-------|---------------|---------------------------------|-----|
| 1     | PDCDF32201-1  | IMPELLER HOUSING                | 1   |
| 2     | PDCDF32201-2  | COLLECTION DRUM                 | 1   |
| 3     | PDCDF32201-3  | INTAKE BARREL                   | 1   |
| 4     | PDCDF32201-4  | CYCLONE FUNNEL                  | 1   |
| 5     | PDCDF32201-5  | FILTER COVER PLATE              | 1   |
| 6     | PDCDF32201-6  | COLLECTION DRUM LID             | 1   |
| 7     | PDCDF32201-7  | HEX NUT 5/16-18                 | 18  |
| 8     | PDCDF32201-8  | INLET ADAPTER 8" X 4" X 3       | 1   |
| 9     | PDCDF32201-9  | LEVER HANDLE                    | 1   |
| 10    | PDCDF32201-10 | MOTOR 3HP 220V 1-PH             | 1   |
| 11    | PDCDF32201-11 | HEX NUT 5/16-18                 | 43  |
| 12    | PDCDF32201-12 | HEX BOLT 5/16-18 X 1            | 4   |
| 13    | PDCDF32201-13 | RUBBER GASKET                   | 1   |
| 14    | PDCDF32201-14 | PHLP HD SCR M5-.8 X10           | 3   |
| 15    | PDCDF32201-15 | Socket head cap screw M6-1 X 16 | 2   |
| 16    | PDCDF32201-16 | PADDLE HANDLE SPINDLE RETAINER  | 1   |
| 17    | PDCDF32201-17 | FILTER PADDLE HANDLE            | 1   |
| 18    | PDCDF32201-18 | FLANGE BOLT 5/16-18 X 1/2       | 12  |
| 19    | PDCDF32201-19 | FLANGE BOLT 5/16-18 X 3/4       | 60  |
| 20    | PDCDF32201-20 | PHLP HD SCR 10-24 X 3/8         | 2   |
| 21    | PDCDF32201-21 | PADDLE HANDLE SPINDLE           | 1   |
| 22    | PDCDF32201-22 | HEX BOLT M6-1 X 16              | 1   |
| 23    | PDCDF32201-23 | INLET ADAPTER CAP 4"            | 1   |
| 24    | PDCDF32201-24 | PHLP HD SCR 10-24 X 3/8         | 1   |
| 25    | PDCDF32201-25 | FLEX HOSE 12" X 6"              | 1   |
| 26    | PDCDF32201-26 | FOAM GASKET                     | 1   |
| 27    | PDCDF32201-27 | DRUM WINDOW                     | 1   |
| 28    | PDCDF32201-28 | RIVET ALUMINUM                  | 8   |
| 29    | PDCDF32201-29 | COLLECTION DRUM HANDLE          | 1   |
| 30    | PDCDF32201-30 | PHLP HD SCR 1/4-20 X 5/8        | 2   |
| 31    | PDCDF32201-31 | ACORN NUT 1/4-20                | 2   |
| 32    | PDCDF32201-32 | IMPELLER 16"                    | 1   |
| 33    | PDCDF32201-33 | IMPELLER WASHER                 | 1   |
| 34    | PDCDF32201-34 | CAP SCREW M6-1 X 30             | 1   |
| 35    | PDCDF32201-35 | COLLECTION DRUM GASKET          | 1   |
| 36    | PDCDF32201-36 | HOSE CLAMP 1-3/4"               | 2   |

# LAGUNA

|     |                |                                |    |
|-----|----------------|--------------------------------|----|
| 37  | PDCDF32201-37  | VACUUM HOSE 1-1/2"             | 1  |
| 38  | PDCDF32201-38  | HOSE CLAMP 12-1/2"             | 2  |
| 39  | PDCDF32201-39  | POWER CORD                     | 1  |
| 40  | PDCDF32201-40  | RUBBER GASKET                  | 1  |
| 41  | PDCDF32201-41  | LOCK WASHER 1/4                | 1  |
| 42  | PDCDF32201-42  | MOTOR PLATE                    | 1  |
| 45  | PDCDF32201-45  | COLLECTION DRUM BAG 30" X 41"  | 1  |
| 46  | PDCDF32201-46  | CANISTER FILTER ASSY           | 1  |
| 47R | PDCDF32201-47R | RIGHT UPPER SUPPORT LEG        | 1  |
| 47L | PDCDF32201-47L | LEFT UPPER SUPPORT LEG         | 1  |
| 48  | PDCDF32201-48  | BASE                           | 1  |
| 49  | PDCDF32201-49  | LINKAGE PLATE                  | 2  |
| 50  | PDCDF32201-50  | LOCK NUT 5/16-18               | 8  |
| 51  | PDCDF32201-51  | PENUMATIC ROD                  | 2  |
| 52  | PDCDF32201-52  | SPRING BRACKET                 | 2  |
| 53  | PDCDF32201-53  | RIVET ALUMINUM                 | 2  |
| 54  | PDCDF32201-54  | HEX BOLT 5/16-18 X 1-3/4       | 3  |
| 55  | PDCDF32201-55  | COPPER PLATE                   | 8  |
| 56  | PDCDF32201-56  | PLASTIC WASHER                 | 4  |
| 57  | PDCDF32201-57  | WASHER 5/16-18                 | 14 |
| 58  | PDCDF32201-58  | HEX BOLT 5/16-18 X 1-1/4       | 10 |
| 59  | PDCDF32201-59  | HEX BOLT 5/16-18 X 2-1/4       | 2  |
| 60  | PDCDF32201-60  | LOCK HANDLE GUIDE FIXING PIECE | 4  |
| 62  | PDCDF32201-62  | LOCK HANDLE GUIDE              | 2  |
| 64  | PDCDF32201-64  | LOCK HANDLE STOP               | 1  |
| 66  | PDCDF32201-66  | CLAMP                          | 1  |
| 67  | PDCDF32201-67  | BAG CLAMP                      | 1  |
| 68  | PDCDF32201-68  | SUPPORTING BOARD               | 1  |
| 69  | PDCDF32201-69  | CASTER 2", SWIVEL              | 4  |
| 73  | PDCDF32201-73  | END CAP                        | 4  |
| 74  | PDCDF32201-74  | 3" Caster with brake           | 4  |
| 75  | PDCDF32201-75  | NUT 1/2"                       | 4  |
| 76  | PDCDF32201-76  | PHLP HD SCR M6-1 X 10          | 1  |
| 77R | PDCDF32201-77R | RIGHT LOWER SUPPORT LEG<br>B71 | 1  |
| 77L | PDCDF32201-77L | LEFT LOWER SUPPORT LEG         | 1  |
| 79  | PDCDF32201-79  | FILTER PADDLE                  | 8  |
| 80  | PDCDF32201-80  | PHLP HD SCR 1/4-20 X 1-1/4"    | 8  |
| 81  | PDCDF32201-81  | FENDER WASHER 1/4 "            | 17 |
| 82  | PDCDF32201-82  | FILTER PADDLE SPINDLE          | 1  |

# LAGUNA

|      |                 |                          |   |
|------|-----------------|--------------------------|---|
| 83   | PDCDF32201-83   | FILTER BAG 20" X 23"     | 1 |
| 84   | PDCDF32201-84   | PLASTIC SAPCER SLEEVE    | 2 |
| 86   | PDCDF32201-86   | EXT TOOTH WASHER         | 2 |
| 87   | PDCDF32201-87   | HEX NUT 10-24            | 2 |
| 88   | PDCDF32201-88   | SIDE COVER (RIGHT)       | 1 |
| 89   | PDCDF32201-89   | SIDE COVER (LEFT)        | 1 |
| 90   | PDCDF32201-90   | LOCK NUT 1/4"            | 8 |
| 92   | PDCDF32201-92   | SILENCER BARREL          | 1 |
| 93   | PDCDF32201-93   | 1-1/2"MAGNETICCONNECTORS | 1 |
| 93-1 | PDCDF32201-93-1 | 1-1/2"MAGNETICCONNECTORS | 1 |
| 94   | PDCDF32201-94   | HEX BOLT 1/4-20 X 2"     | 1 |
| 95   | PDCDF32201-95   | FENDER WASHER 1/4        | 2 |
| 96   | PDCDF32201-96   | NUT 1/4"                 | 1 |

## SUPPLIES:FLUX1 & DFLUX3

|               |                               |
|---------------|-------------------------------|
| PDCDF32201-45 | COLLECTION DRUM BAG 30" X 41" |
| PDCDF15510-83 | FILTER BAG 20" X 23"          |

### LAGUNA TOOLS

744 Refuge Way  
Suite 200  
Grand Prairie TX 75050  
Ph: 800.234.1976

[www.lagunatools.com](http://www.lagunatools.com)

# LAGUNA

## SPECIFICATIONS: DFLUX1 & 3



| Model               | Dflux:1                 | Dflux:3                 |
|---------------------|-------------------------|-------------------------|
| Motor               | 1.5 HP                  | 3 HP                    |
| Voltage             | 110 volt                | 220 volt                |
| Inlet               | 6"                      | 8"                      |
| Splitter            | 2 x 4"                  | 3 x 4"                  |
| Collection Volume   | 20 Gallon Drum          | 45 Gallon Drum          |
| Filter              | 1 Micron                | 1 Micron                |
| Filter Size         | 14.5" x 24"             | 14.5" x 39.38"          |
| Max Air Flow        | 868 CFM                 | 1941 CFM                |
| Max Static Pressure | 9.7"                    | 11"                     |
| Collection Type     | 2 Stage Cyclone         | 2 Stage Cyclone         |
| Impeller            | Cast Aluminum 12-3/4"   | Cast Aluminum 16"       |
| Drum Bag Retention  | Negative Pressure       | Negative Pressure       |
| Drum Bag Hose       | Magnetic Connector      | Magnetic Connector      |
| Drum Lid Hose       | Clear Hose              | Clear Hose              |
| Drum Handle Lift    | Air Strut Assistance    | Air Strut Assistance    |
| Mobility            | Machine and Drum Wheels | Machine and Drum Wheels |
| Certification       | ETL                     | ETL                     |
| Remote Control      | RF Remote               | RF Remote               |
| Sound Rating        | 78 dB                   | 79 dB                   |
| Dimensions          | 27-1/2" x 44" x 70"     | 31" x 54" x 82"         |
| Weight (shipping)   | 278 Lbs.                | 346 Lbs.                |
| Filter Cleaning     | Manual Filter Cleaning  | Manual Filter Cleaning  |
| Packaging           | 1 Box                   | 1Box                    |

Specifications subject to change without notice

# LAGUNA

## WARRANTY & REGISTRATION

### Thank You!

Welcome to the Laguna Tools® group of discriminating woodworkers. We understand that you have a choice of where to purchase your machines and appreciate the confidence you have in the Laguna Tools® brand.

Through hands-on experience, Laguna Tools® is constantly working hard to make innovative, precision products. Products that inspire you to create works of art are a joy to operate and encourage your best work.

Laguna Tools®  
Imagination, Innovation, and Invention at Work

### Warranty & Registration

Every product sold is warranted to be free of manufacturer's defective workmanship, parts, and materials. For any questions about this produce, the intended use or what it was designed for, customer service, or replacement parts, please contact our customer service department:

Laguna Tools® Customer Service  
744 Refuge Way, Grand Prairie, Texas 75050, USA  
1-800-234-1976  
[www.lagunatools.com/why/customer-service/](http://www.lagunatools.com/why/customer-service/)  
8AM. To 5PM PSF. Monday through Friday

For warranty claims or to report damage upon receiving-please reach out to our warranty department:

Laguna Tools® Warranty Service  
744 Refuge Way, Grand Prairie, Texas 75050, USA  
1-800-234-1976  
[www.lagunatools.com/policies/warranty](http://www.lagunatools.com/policies/warranty)  
8AM to 5PM PST, Monday through Friday

### Registration

To prevent voiding this warranty, all products sold must be registered within thirty (30) days of receiving the product. Registering the product will enable the original purchaser to receive notifications about important product changes, receive customer service, and be able to file a warranty claim against defective workmanship, parts, or materials.



### Who is Covered

The applicable warranty covers only the initial purchaser of the product from the date of receiving the product. To file such claims, the original purchaser must present the original receipt as proof of purchase.

### What is Covered

The warranty covers any defects in the workmanship of all parts and materials that make up the machine unless otherwise specified. Any part determined by Laguna Tools® to have a defect will be repaired or replaced (and shipped), without charge. The defective item/part must be returned to Laguna Tools® with the complaint and proof of purchase in the original packaging that it was received in. In the event the item/part is determined to be not covered by this warranty, the customer will be responsible for the cost to replace the item/part and all related shipping charges.

### Warranty Limitations

This limited warranty does not apply to natural disasters, acts of terrorism, normal wear and tear, product failure due to lack of maintenance or cleaning, damage caused by accident, neglect, or lack-of inadequate dust collection. The warranty may be voided against proof of misuse/abuse, damage caused where repair or alterations have been made or attempted by others, using the product for purposes other than those described as intended use (unless with consent by Laguna Tools®), modification to the product, or use with an accessory that was not designed for the product. It is the responsibility of the user to understand basic woodworking machinery settings and procedures and to properly maintain the equipment in accordance with the standards provided in this manual.

### Length of Warranty

All new machines and optional accessories sold through an authorized dealer carry a two-year warranty effective from the date of receiving the product. Machines sold for either commercial or industrial use have a one-year warranty. Wearable parts like throat plates, bandsaw guides, etc., have a ninety-day warranty.

**Table A-1 Warranty Lengths**

*2 Year – New Machines Sold Through an Authorized Dealer*

*2 Year – Accessories Sold as Machine Options (excluding blades)*

*1 Year – Machines Sold for Commercial or Industrial Use*

*1 Year – Blades and Accessories outside of Machine Options*

*90 Days – Wearable Parts*

Aside from being free of defects upon receiving, consumable parts, like cutters and abrasives, are not covered by this warranty unless otherwise stated by Laguna Tools®. These parts are designed to be used at the expense of the operator and are available for replacement or inventory purchase. The determination of a consumable part will be made on a case-by-case basis by Laguna Tools®.

### Shipping Damage

Laguna Tools® is not responsible for damage or loss caused by a freight company or other circumstances not in the direct control of Laguna Tools®. All shipping-related claims for loss or damage to goods must be made to Laguna Tools® within twenty-four hours of delivery.

### How to Receive Support

To file a warranty claim, please contact the warranty department at 1-800-234-1976. To receive customer service or technical support, please contact the customer service department at 1-800-332-4094. Parts, under warranty, are shipped at the expense of Laguna Tools® either by common carrier, FedEx ground services, or similar method. Technical support to install replacement parts is primarily provided by phone, fax, email, or the Laguna Tools® Customer Service Support Website.



# **LAGUNA**

---

[www.lagunatools.com](http://www.lagunatools.com)

**1-800-234-1976**