

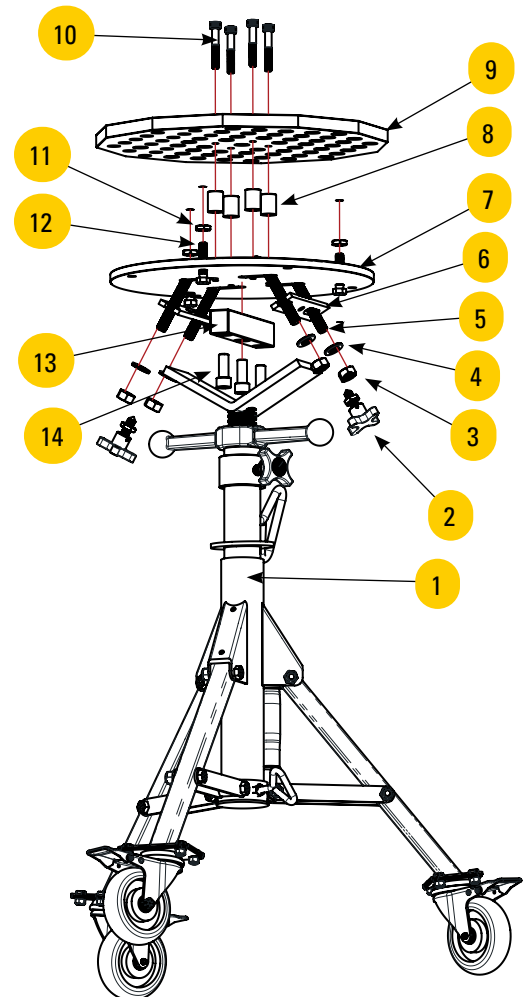
TRIPOD WORK STATION (MODEL TWS14C, TWS14, TWS14-FN1)

SPECIFICATIONS

PN	Base Type	Table Height	Tabletop Width	Top Plate Thickness	Hole Diameter	Grid Pattern	Load Capacity	Weight
TWS14	Fixed Tripod	25.3 - 39.3"	14"	0.62"	0.625"	2" x 2"	2,500 lb	66 lb
TWS14C	Caster Tripod	30 - 44"	14"	0.62"	0.625"	2" x 2"	800 lb	71 lb
TWS14-FN1	Top Plate Kit	-	14"	0.62"	0.625"	2" x 2"	300 lb	41 lb

STEP-BY-STEP ASSEMBLY

- 1. Assemble the Top Plate Kit**
 Align the Mounting Plate (#7) and Fixture Plate (#9) on top, connect them using the socket head screws (#10) and mounting spacers (#8) in between. Thread the three M12 leveling bolts (#12) into the Mounting Plate (#7) from underneath and install the M12 locking nut (#11).
- 2. Prepare the Flat Strap Clamps**
 Slide the four T-bolts (#5) into the slots of the bottom Mounting Plate (#7) from underneath. Turn them 90° to lock in place. Slide the closed slot end of a Flat Strap Clamp (#6) onto a T-bolt then secure using washers (#4) and hex nuts (#3). Repeat on the opposite side.
- 3. Mount the Top Plate Kit onto the Tripod**
 Place the assembled top plate kit onto the V-shaped bracket at the top of the tripod tube (#1). Make sure rotation is as shown here. Swing the Flat Strap Clamp (#6) inward and slide open slot into another T-bolt.
- 4. Lock Down the Assembly**
 Thread the Hand Knob (#2) into the center of the Flat Strap Clamp (#6) assembly to lock the top plate kit securely. Adjust the M12 leveling bolts (#12) as needed to ensure the surface is flat and stable.



#	Description	Qty.
1	Tripod	1
2	Cast Iron Hand Knobs M10 Cone Tip	2
3	Black-Oxide Steel Hex Nut 12 mm	4
4	M12 Washer	4
5	T-Bolt M12 x 90 mm	4
6	Tripod Flat Strap Clamp	2
7	Tripod Mounting Plate	1

#	Description	Qty.
8	Tripod Table Mount Spacer 8 mm	4
9	14" Fixture Plate	1
10	Socket Head Screw M8 x 55 mm	4
11	M12 Jam Nut	3
12	M12 x 45 mm Bolt	3
13	Vise Clamping Bar	1
14	Socket Head Screw, M12 X 30mm L	3

QUICK GUIDE



TRIPOD WORK STATION (MODEL TWS14C, TWS14, TWS14-FN1)

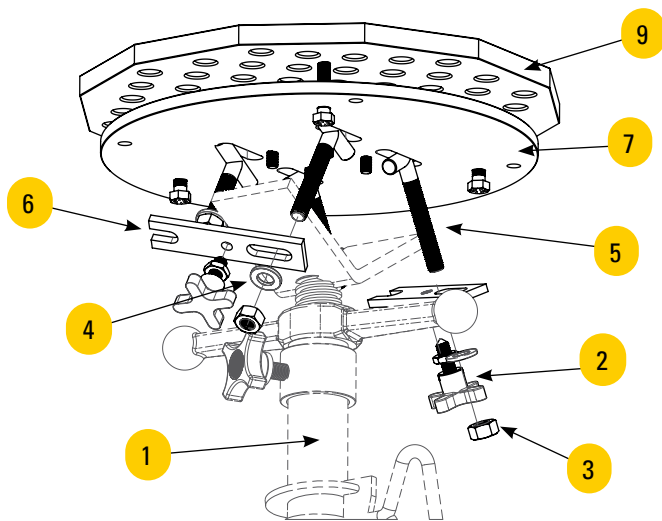
Tips:

T-Bolts as Feet:

The four T-bolts in the slots can also be rotated and removed. Flip them upside down and use them as feet, allowing the top plate to sit directly on any flat workbench without the tripod.

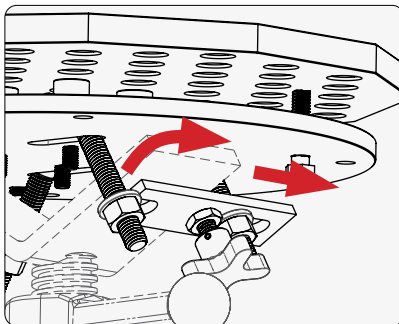


TWS14-FN1 can work as a standalone work surface

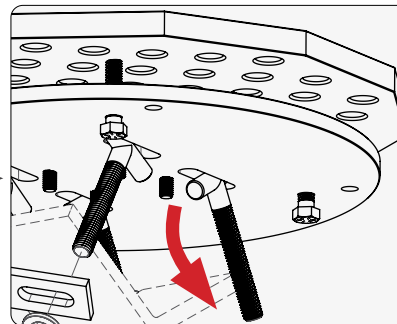


Quick Removal Feature:

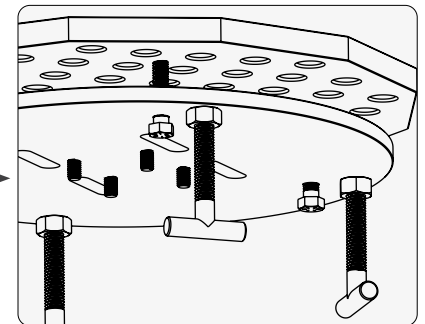
The Flat Strap Clamps are designed to slide and swing in/out easily. This allows you to remove the top plate quickly without disassembling the entire kit. Saving you time during field setup or transport.



Untighten, Slide Clamps (#6) Out Then Swing Outward to Release



Slide Four Bolts (#5) out from the Slots and Flip



Install Bolts (#5) and Nuts (#3) to Use as Support Feet

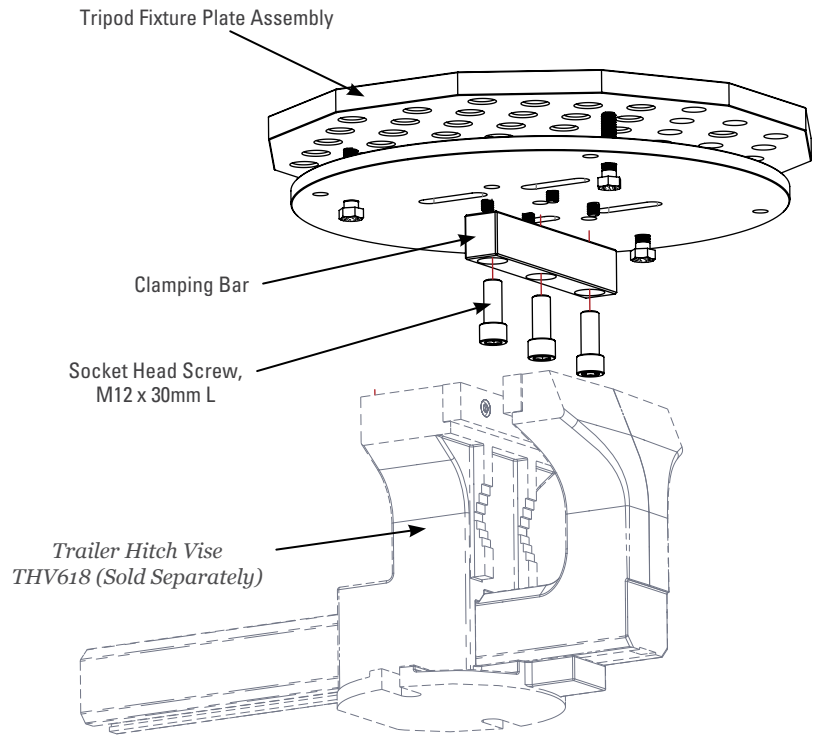
TRIPOD WORK STATION (MODEL TWS14C, TWS14, TWS14-FN1)

USING THE CLAMP BAR WITH A VISE

The clamp bar located at the bottom of the top plate is designed to work with a bench vise.

You can secure the clamp bar in the vise jaws and the top plate above it creates a stable elevated work surface.

This setup allows you to use the plate independently for light-duty bench work or small part setups.



MAINTENANCE

Check all bolts, knobs, and hardware regularly to ensure they stay tight during use. After each job, wipe down the top plate and tripod to remove dust, debris, or metal shavings. Occasionally apply a light lubricant to the T-slot channels and leveling bolts to keep them moving smoothly. Inspect the clamps and top plate for signs of wear or damage, and replace any worn parts as needed. When not in use, store the stand in a dry place and keep all small components together to avoid losing them.

LIMITED WARRANTY

Each STRONG HAND TOOL product is warranted to be free from defects in material and workmanship. Return to place of purchase for a replacement if warranty applies.

SAFETY

Always set up the tripod on a stable, level surface before use. Make sure all hardware is securely tightened and the top plate is properly locked in place with the hand knob and clamps. Do not exceed the recommended weight capacity. Keep hands clear of pinch points when adjusting clamps or leveling bolts. Use caution when lifting or moving the stand, and wear appropriate safety gear during setup and operation. Never modify or use the stand for unintended purposes.