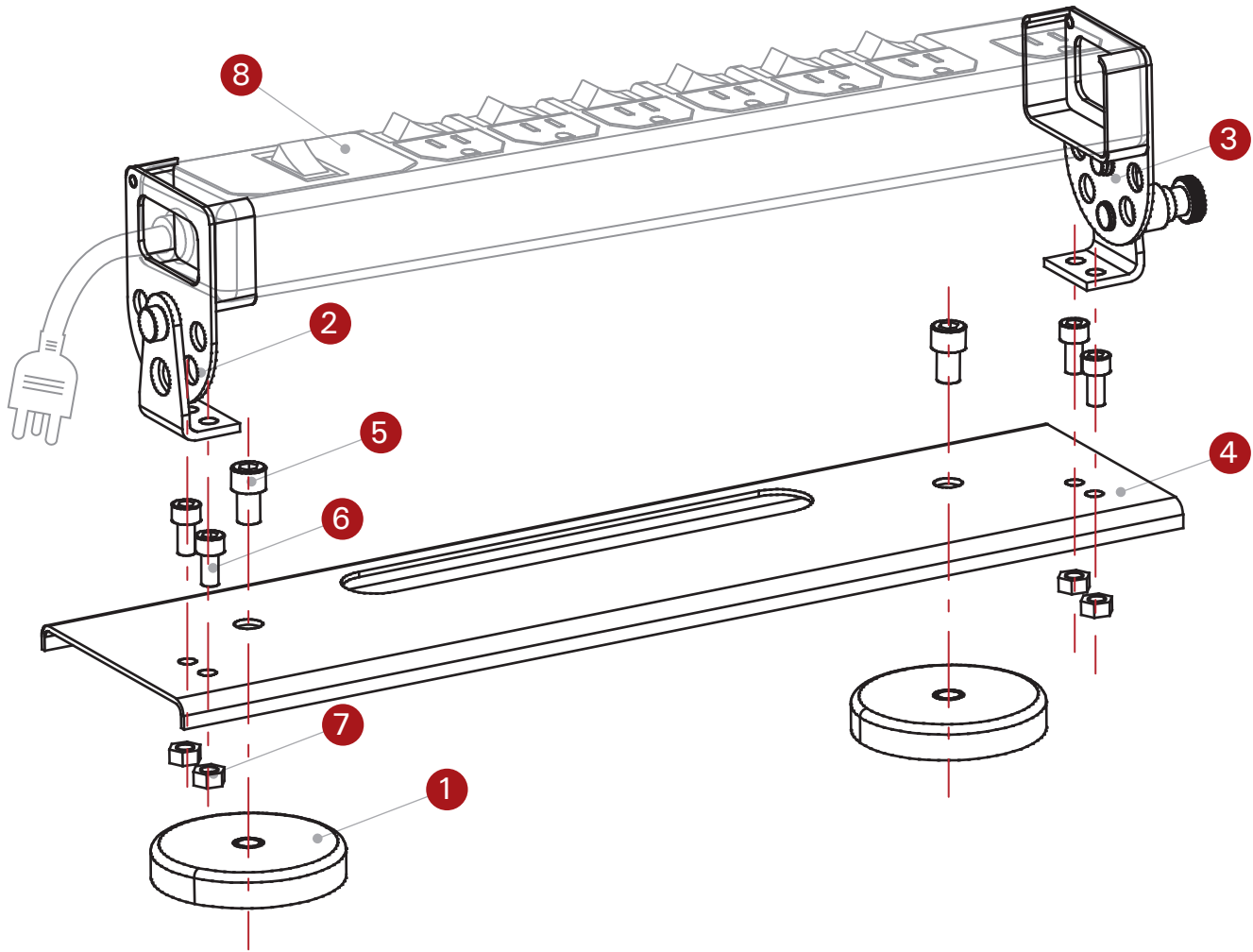


ASSEMBLY INSTRUCTIONS



Power Station with Magnetic Mounting Plate (Part No. APS160)

» Parts List



No.	Item	Qty	No.	Item	Qty
1	Magnetic Pads	2	5	Button Head Screw M10 x 12	2
2	Left Positioning Frame	1	6	Button Head Screw M6 x 12	4
3	Right Positioning Frame	1	7	Nut M6	4
4	Mounting Plate	1	8	Power Strip	1