



**ADAPTIVE
CUTTING
SYSTEM**

Owner's Manual

Guide d'utilisation / Manual del propietario



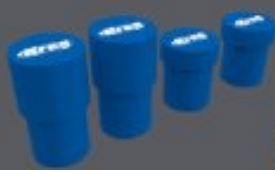
RECOMMENDED TOOLS:

- 3/4" Combination Wrench
- Phillips Screwdriver
- 15mm Deep Socket
- Ratchet Wrench
- 15mm Combination Wrench
- 10mm Deep Socket
- Speed Square

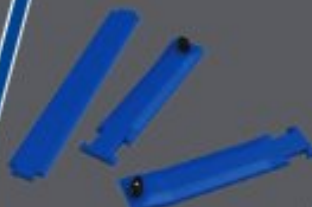
PRODUCTS COVERED IN THIS MANUAL



Project Table
(ACS1000)



Versa-Stops
(ACS735)



Repetitive Stops



48" Extension



Miter Guide

GENERAL SAFETY GUIDELINES

⚠ WARNING Read all safety warnings, instructions, illustrations and specifications provided with this product. Failure to follow all instructions listed below may result in electric shock, fire and/or serious injury. **SAVE ALL WARNINGS AND INSTRUCTIONS FOR FUTURE REFERENCE.**

The term "power tool" in the warnings refers to your mains-operated (corded) power tool or battery-operated (cordless) power tool.

NOTE: "Mains" is the official UL term for "mains electricity" referring to grid power delivered to customers and accessed through a wall outlet.

1) Work area safety

- a) Keep work area clean and well lit. Cluttered or dark areas invite accidents.
- b) Do not operate power tools in explosive atmospheres, such as in the presence of flammable liquids, gases or dust. Power tools create sparks which may ignite the dust or fumes.
- c) Keep children and bystanders away while operating a power tool. Distractions can cause you to lose control.

2) Electrical safety

- a) Power tool plugs must match the outlet. Never modify the plug in any way. Do not use any adapter plugs with earthed (grounded) power tools. Unmodified plugs and matching outlets will reduce risk of electric shock.
- b) Avoid body contact with earthed or grounded surfaces, such as pipes, radiators, ranges and refrigerators. There is an increased risk of electric shock if your body is earthed or grounded.
- c) Do not expose power tools to rain or wet conditions. Water entering a power tool will increase the risk of electric shock.
- d) Do not abuse the cord. Never use the cord for carrying, pulling or unplugging the power tool. Keep cord away from heat, oil, sharp edges or moving parts. Damaged or entangled cords increase the risk of electric shock.
- e) When operating a power tool outdoors, use an extension cord suitable for outdoor use. Use of a cord suitable for outdoor use reduces the risk of electric shock.
- f) If operating a power tool in a damp location is unavoidable, use a ground fault circuit interrupter (GFCI) protected supply. Use of a GFCI reduces the risk of electric shock.

3) Personal safety

- a) Stay alert, watch what you are doing and use common sense when operating a power tool. Do not use a power tool while you are tired or under the influence of drugs, alcohol or medication. A moment of inattention while operating power tools may result in serious personal injury.
- b) Use personal protective equipment. Always wear eye protection. Protective equipment such as dust mask, non-skid safety shoes, hard hat, or hearing protection used for appropriate conditions will reduce personal injuries.
- c) Prevent unintentional starting. Ensure the switch is in the off-position before connecting to power source and/or battery pack, picking up or carrying the tool. Carrying power tools with your finger on the switch or energizing power tools that have the switch on invites accidents.
- d) Remove any adjusting key or wrench before turning the power tool on. A wrench or a key left attached to a rotating part of the power tool may result in personal injury.
- e) Do not overreach. Keep proper footing and balance at all times. This enables better control of the power tool in unexpected situations.
- f) Dress properly. Do not wear loose clothing or jewelry. Keep your hair, clothing and gloves away from moving parts. Loose clothes, jewelry or long hair can be caught in moving parts.
- g) If devices are provided for the connection of dust extraction and collection facilities, ensure these are connected and properly used. Use of dust collection can reduce dust-related hazards.

- h) Do not let familiarity gained from frequent use of tools allow you to become complacent and ignore tool-safety principles. A careless action can cause severe injury within a fraction of a second.

4) Power tool use and care

- a) Do not force the power tool. Use the correct power tool for your application. The correct power tool will do the job better and safer at the rate for which it was designed.
- b) Do not use the power tool if the switch does not turn it on and off. Any power tool that cannot be controlled with the switch is dangerous and must be repaired.
- c) Disconnect the plug from the power source and/or remove the battery pack, if detachable, from the power tool before making any adjustments, changing accessories, or storing power tools. Such preventive safety measures reduce the risk of starting the power tool accidentally.
- d) Store idle power tools out of the reach of children and do not allow persons unfamiliar with the power tool or these instructions to operate the power tool. Power tools are dangerous in the hands of untrained users.
- e) Maintain power tools and accessories. Check for misalignment or binding of moving parts, breakage of parts and any other condition that may affect the power tool operation. If damaged, have the power tool repaired before use. Many accidents are caused by poorly maintained power tools.
- f) Keep cutting tools sharp and clean. Properly maintained cutting tools with sharp cutting edges are less likely to bind and are easier to control.
- g) Keep handles and grasping surfaces dry, clean, and free from oil and grease. Slippery handles and grasping surfaces do not allow for safe handling and control of the tool in unexpected situations.

5) Service

- a) Have your power tool serviced by a qualified repair person using only identical replacement parts. This ensures the safety of the power tool is maintained.

6) SAFETY INSTRUCTIONS SPECIFIC TO USING THE ACS1000 PROJECT TABLE

- a) The Project Table is intended for use only with the Kreg saw (item# KPS6512) included with the Plunge Saw (item# ACS-SAW) as part of the Plunge Saw + Guide Track (item # ACS2000) and the Master Kit (item# ACS3000). Before using this product read, understand, and follow the instructions and safety information included with the saw.
- b) Always adjust the height of the guide track to match the thickness of the workpiece.
- c) When the workpiece is less than 4" [102mm] wide, support the guide track with scrap pieces of the same thickness as the workpiece to prevent the track from tipping.
- d) Adjust the cutting depth to the thickness of the workpiece. Less than ¼" of the blade teeth should protrude through the workpiece.
- e) When making a cut where waste portion off the table is larger than the workpiece supported on the table, or extends more than 12" beyond the table edge, support the waste portion along the edge of the table as well as toward the end of the waste piece. A large, unsupported waste piece can cause the guide track or the table to tip.

GENERAL SAFETY GUIDELINES

Guidelines for extension cord use

Extension cords are only to be used for temporary purposes. They do not replace the need for installation of outlets and proper wiring where necessary.

In your work area:

1. Extension cords with an equipment grounding conductor must be used at all times.
2. Extension cords must be protected from damage, and not run through doorways or windows where the doors or windows can close, causing damage to the cord.
3. Extension cords must be a minimum of 16 AWG and be rated for the equipment in use.
4. Extension cords must be periodically inspected to ensure that the insulation and conductivity of the wires are not compromised.
5. Extension cords should not be run through water or allowed to have connections that may be exposed to accumulated water.

TABLE 1















Nameplate Amperes @120 V	Extension Cord Length					
	25'	50'	75'	100'	150'	200'
	Recommended Wire Gauge					
0-5	16	16	16	14	12	12
5.1-8	16	16	14	12	10	NR
8.1-12	14	14	12	10	NR	NR
12.1-16	12	12	NR	NR	NR	NR

NR – Not Recommended
















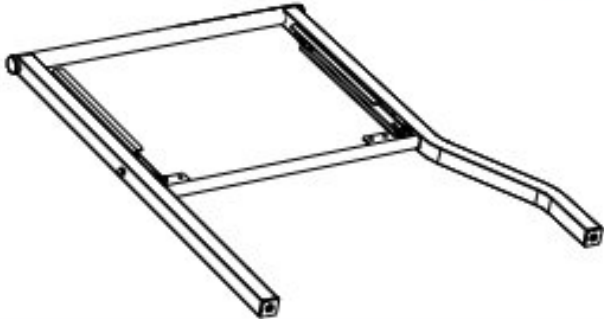
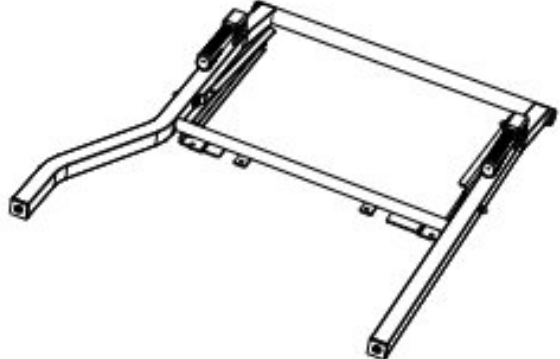
⚠ WARNING: This product can expose you to chemicals including Acrylonitrile and other chemicals, which are known to the State of California to cause cancer and reproductive harm. For more information go to www.P65Warnings.ca.gov.

⚠ WARNING: Drilling, sawing, sanding or machining wood products can expose you to wood dust, a substance known to the State of California to cause cancer. Avoid inhaling wood dust or use a dust mask or other safeguards for personal protection. For more information go to www.P65Warnings.ca.gov/wood.

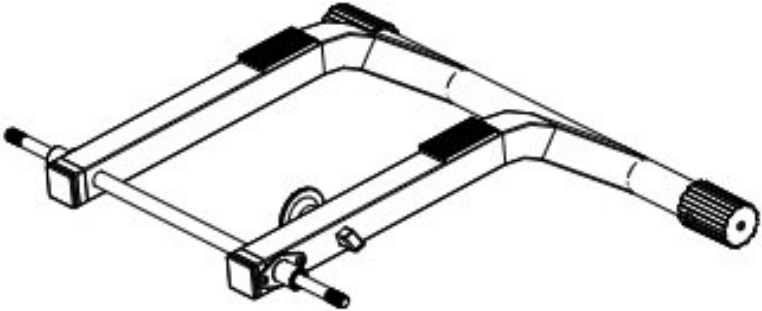
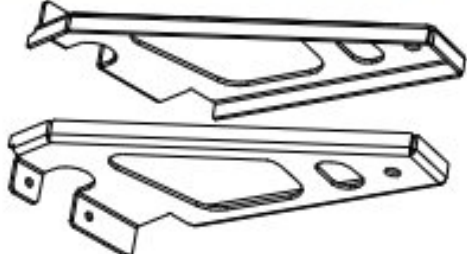





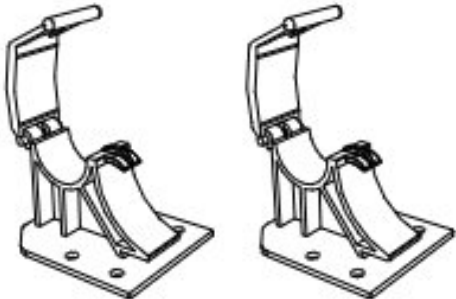


PACKAGE CONTENTS

ITEM	DESCRIPTION	QUANTITY
PROJECT TABLE – TOP		
	Manual	1
	Setup/Stow Instructions Label	1
	Project Table Top	1
ACCESSORY TRAY		
	Tall Versa-Stops	2
	Short Versa-Stops	2
	Repetitive Stops	2
	Joining Bar	1
	48" Extension Stop	1
	Cam Handle	1
	Miter Guide	1
BOX 1		
	Hinges	2
BOX 2		
	Hinge-Mounting Plates	2
BOX 3		
	Primary Rulers	2
	Secondary Rulers	2

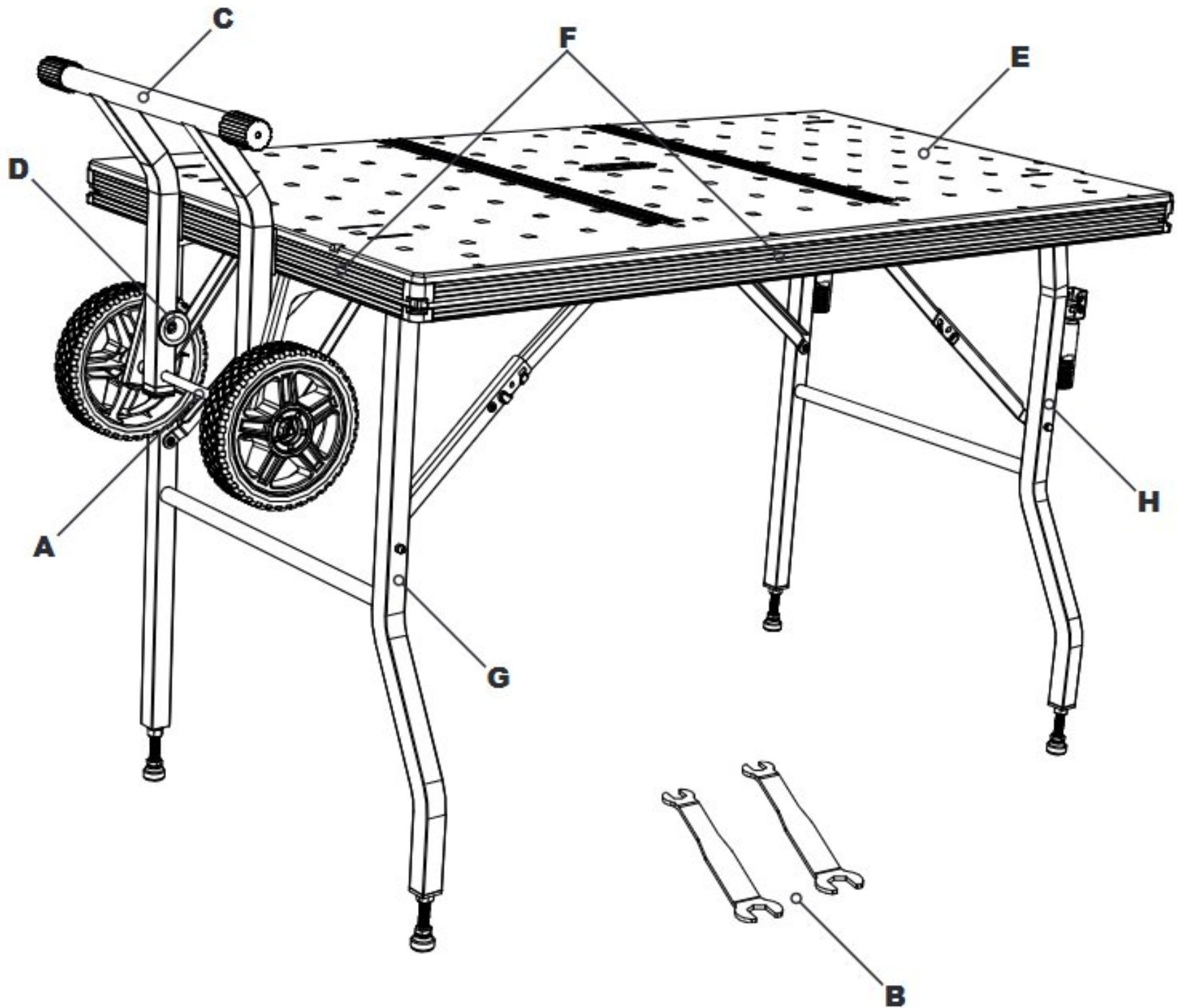
PACKAGE CONTENTS

ITEM	DESCRIPTION	QUANTITY
HARDWARE BAG - 48" EXTENSION STOP HARDWARE PACK		
	Square Nut	1
	Wave Washer	1
	Shoulder Bolt	1
	Flat Washer	1
HARDWARE BAG - HINGE ASSEMBLY HARDWARE PACK		
	Star Knobs	2
	T-Knobs	4
	Hinge Support Bracket	2
	Zinc Hex-Head Bolts	6
	T-Slot Nuts	2
	Brass Flat Washers	2
	Cap Screws	2
	Hex Wrench	1
KNOB HARDWARE BAG		
	Knob	5
	Black Hex-Head Bolts	5
	Square Nuts	5
PROJECT TABLE - BASE		
	Leg Assembly 1 (no handles)	1
	Leg Assembly 2 (with handles)	1

PACKAGE CONTENT

ITEM	DESCRIPTION	QUANTITY
	Kickstand Assembly	1
PROJECT TABLE – BASE - CONTINUED		
	Axle Supports	2
	Wheels	2
	Large Flange Lock Nuts	2
	U-Bolts	6
	Small Flange Lock Nuts	28
	Bar Brackets	4
	Retainers	2
	Foot Levelers	4
	Wrenches	2

ASSEMBLY PARTS



#	NAME
A	Wheel Assembly
B	Wrenches
C	Kickstand
D	Kickstand Lock
E	Project Table Insert
F	Perimeter T-Slot Track
G	Leg Assembly 1 (wheel end)
H	Leg Assembly 1 (handle end)

ASSEMBLY PARTS



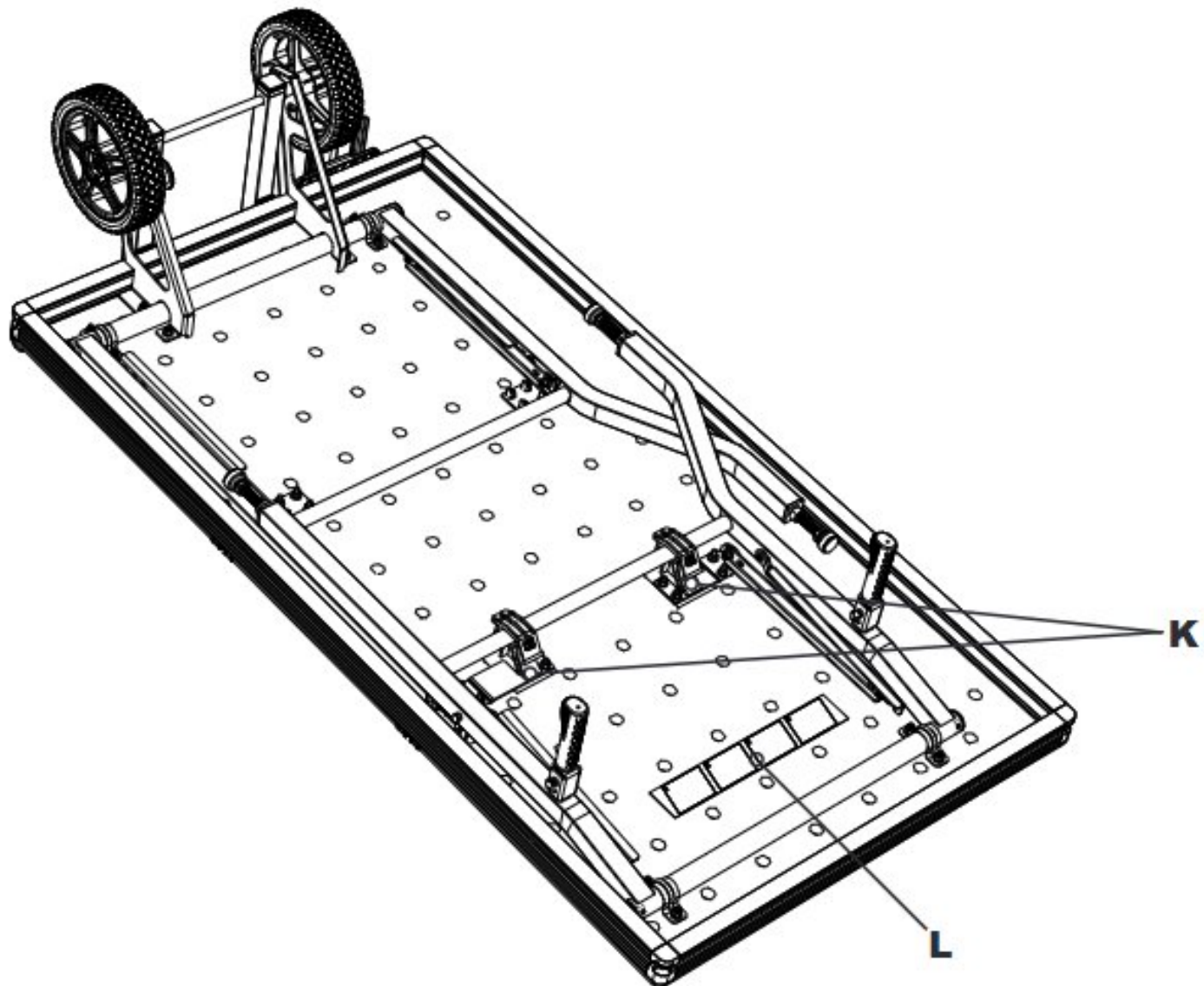
#	NAME
---	------

I	Handles
---	---------

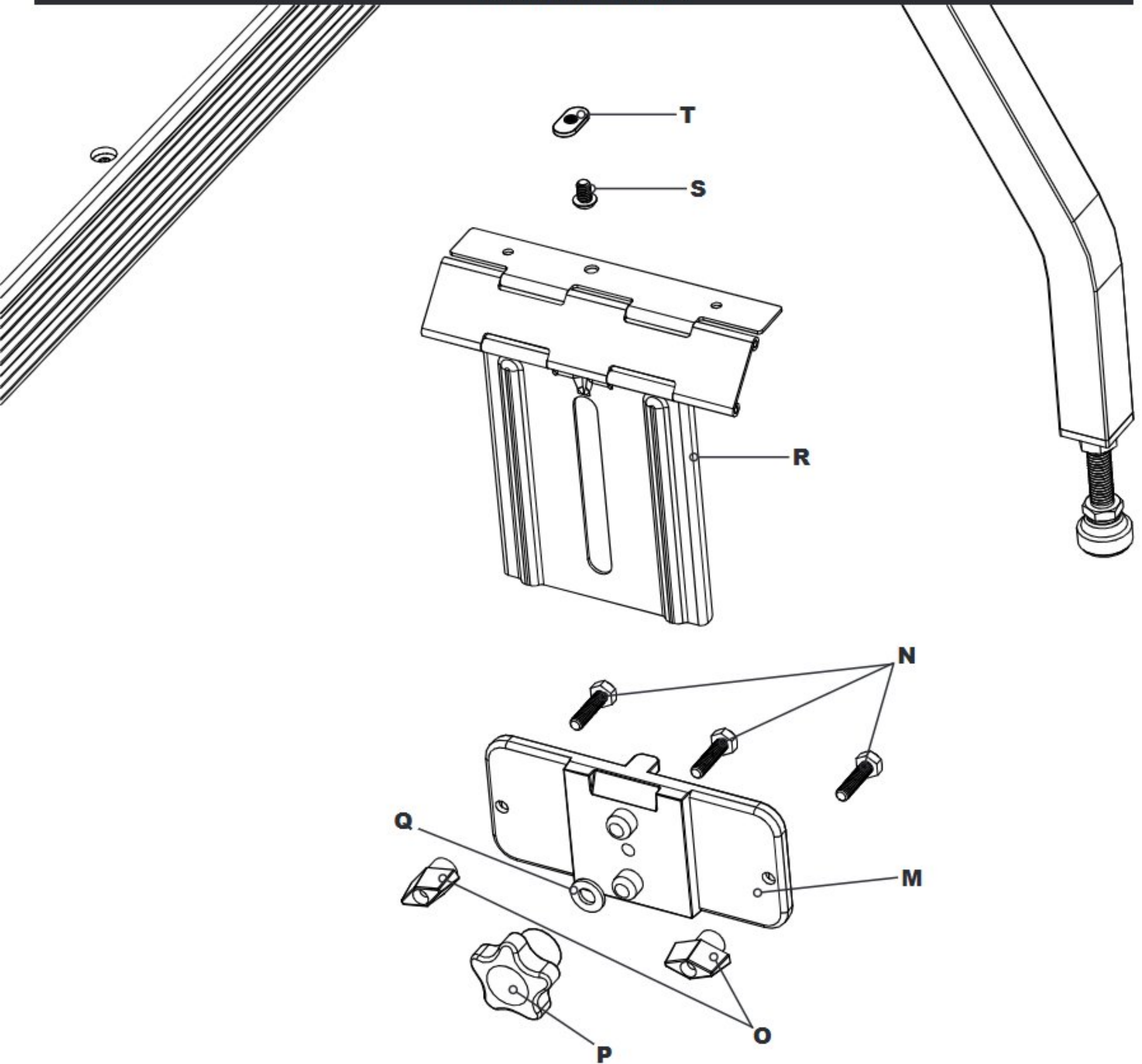
J	Foot Levelers
---	---------------

K	Retainers
---	-----------

L	Setup/Stow Instruction Label
---	------------------------------



ASSEMBLY PARTS



#	NAME
M	Hinge-Mounting Plates
N	Zinc Hex-Head Bolts
O	T-Knobs
P	Star Knobs
Q	Brass Flat Washers
R	Hinges
S	Cap Screws
T	T-Slot Nuts

ASSEMBLY PARTS

#	NAME
---	------

U	Tall Versa-Stops
----------	------------------

V	Short Versa-Stops
----------	-------------------

W	Table Tracks
----------	--------------

X	Primary Rulers, shipped in bag with Y
----------	---------------------------------------

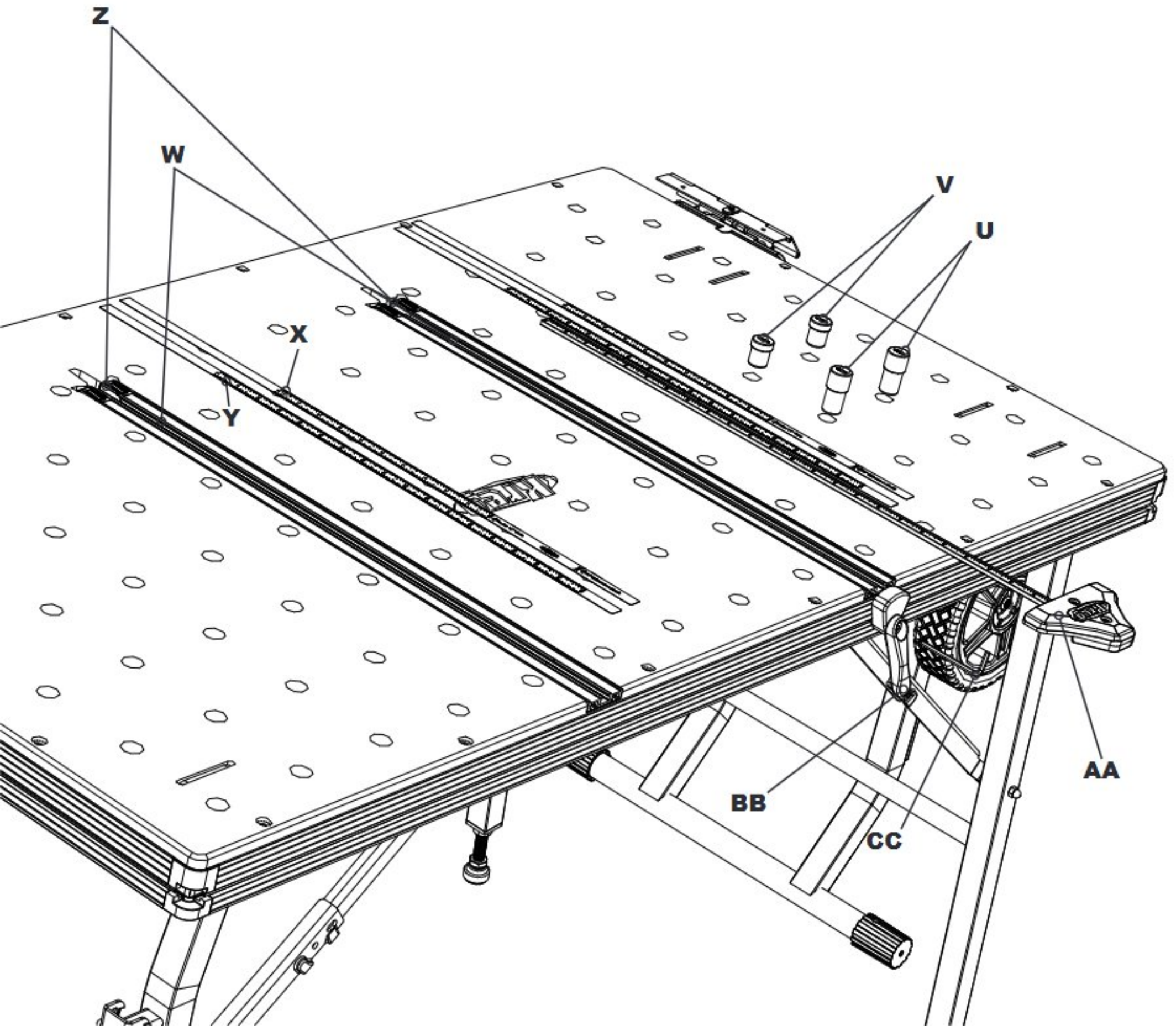
Y	Secondary Rulers, shipped in bag with X
----------	---

Z	Ruler Locks
----------	-------------

AA	48" Extension
-----------	---------------

BB	Shoulder Bolt, Wave Washer, Cam Handle, Flat Washer, T-Nut
-----------	--

CC	Hex Wrench
-----------	------------



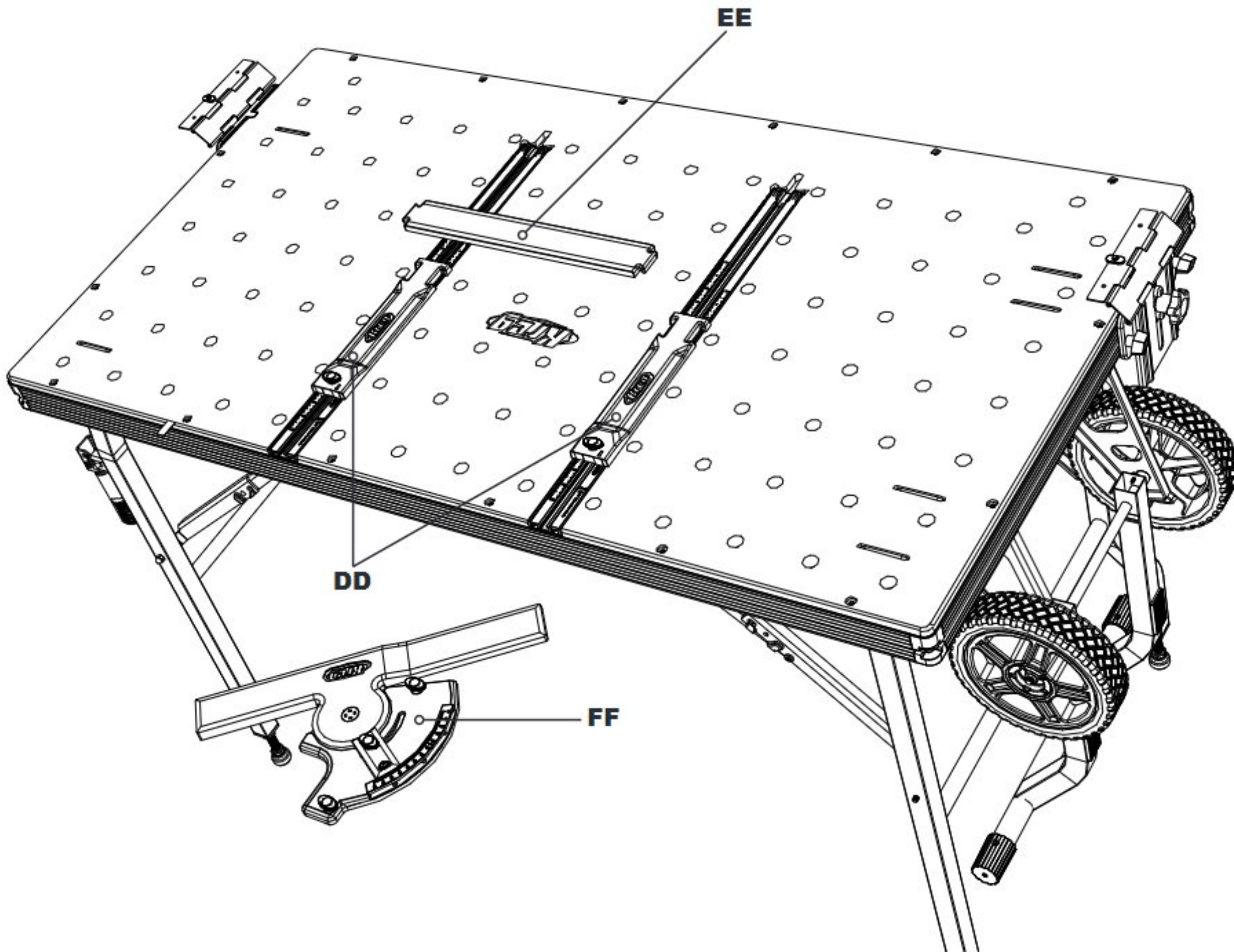
ASSEMBLY PARTS

#	NAME
---	------

DD	Repetitive Stops, Black Hex Head Bolts, Knobs, Square Nuts
-----------	--

EE	Joining Bar
-----------	-------------

FF	Miter Guide, Black Hex Head Bolts, Knobs, Square Nuts
-----------	---



ASSEMBLY

Wheel Assembly

- (1) Position the kickstand assembly relative to the axle supports as shown.
- (2) Slide the axle supports onto the axle with the axle-support flanges facing each other.
- (3) Slide the wheels onto the axles with the offset wheel bearings toward the inside.
- (4) Thread large flange lock nuts onto the axles using the included wrenches, or a ratchet wrench with a 15mm deep socket and a 15mm combination wrench, one on each end. Tighten the nuts to a hard stop.

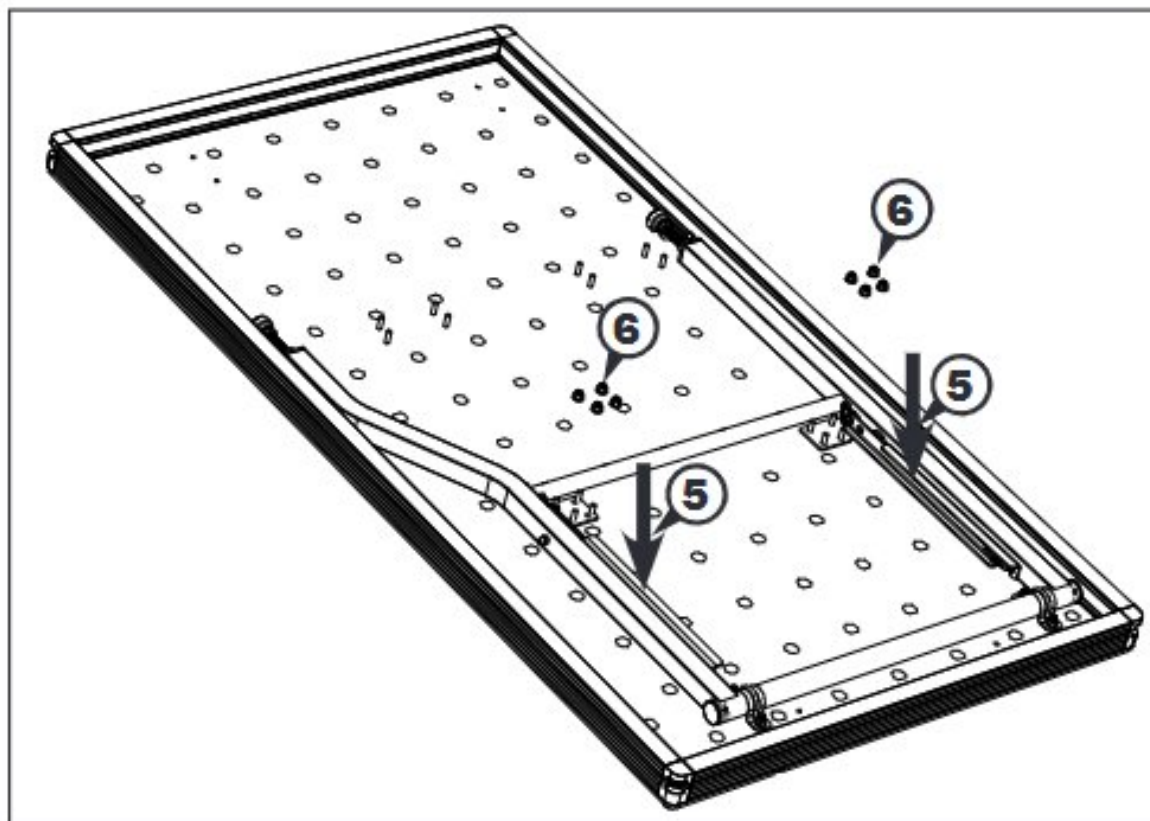
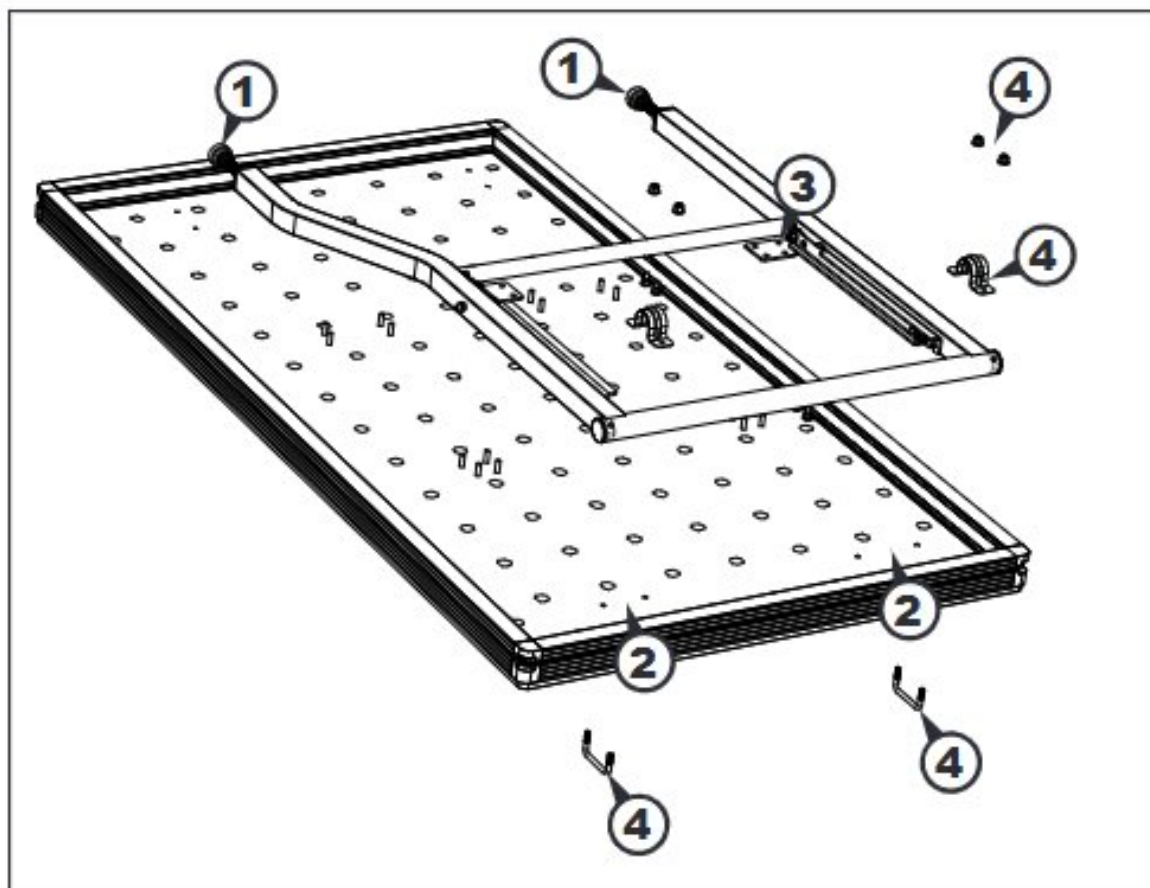
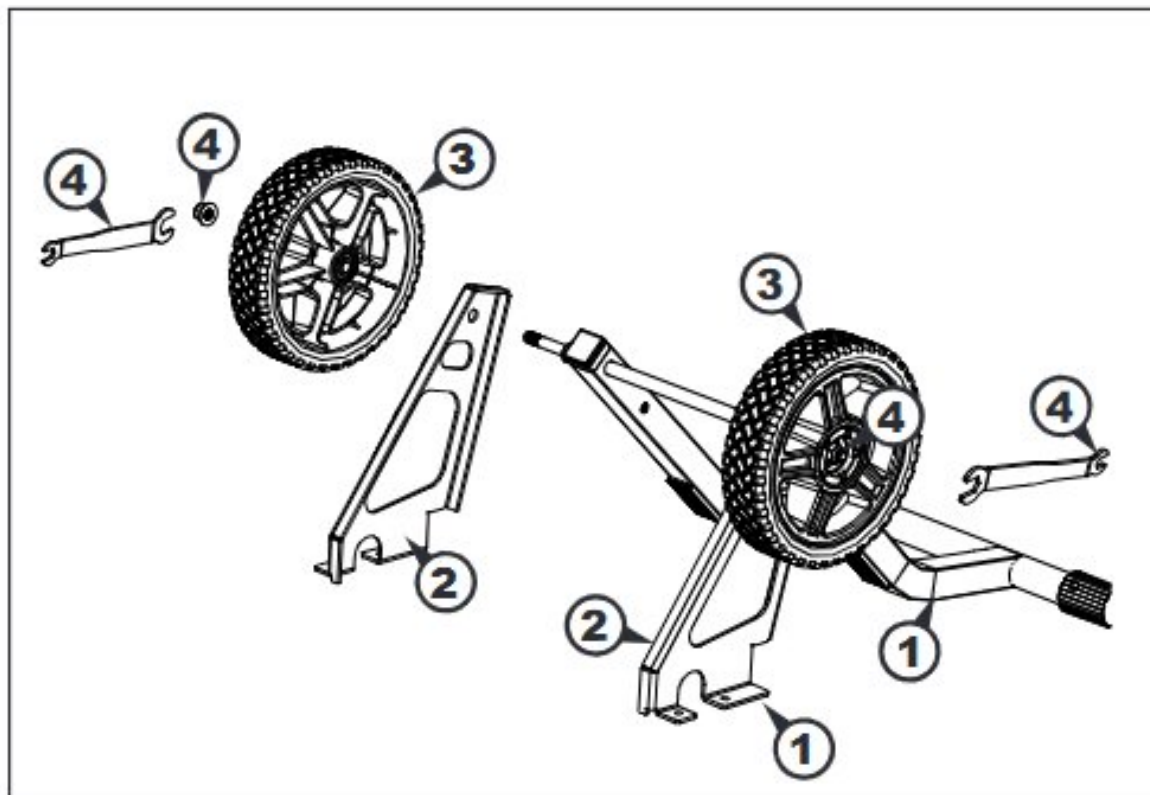
Set the wheel assembly aside.

Folding Base

- (1) Thread foot levelers into leg assembly 1 (the one without folding handles).
- (2) Place the Project Table-Top upside down on a clean and sturdy work surface and locate the end with two sets of four-holes in the table top.
- (3) Position leg assembly 1 flat on the table top with the folding-brace anchor plates engaging the four threaded studs protruding from the table top.

⚠ ATTENTION: The folding-brace anchor plates on the two leg assemblies have different hole patterns and can only be installed in the proper configuration.

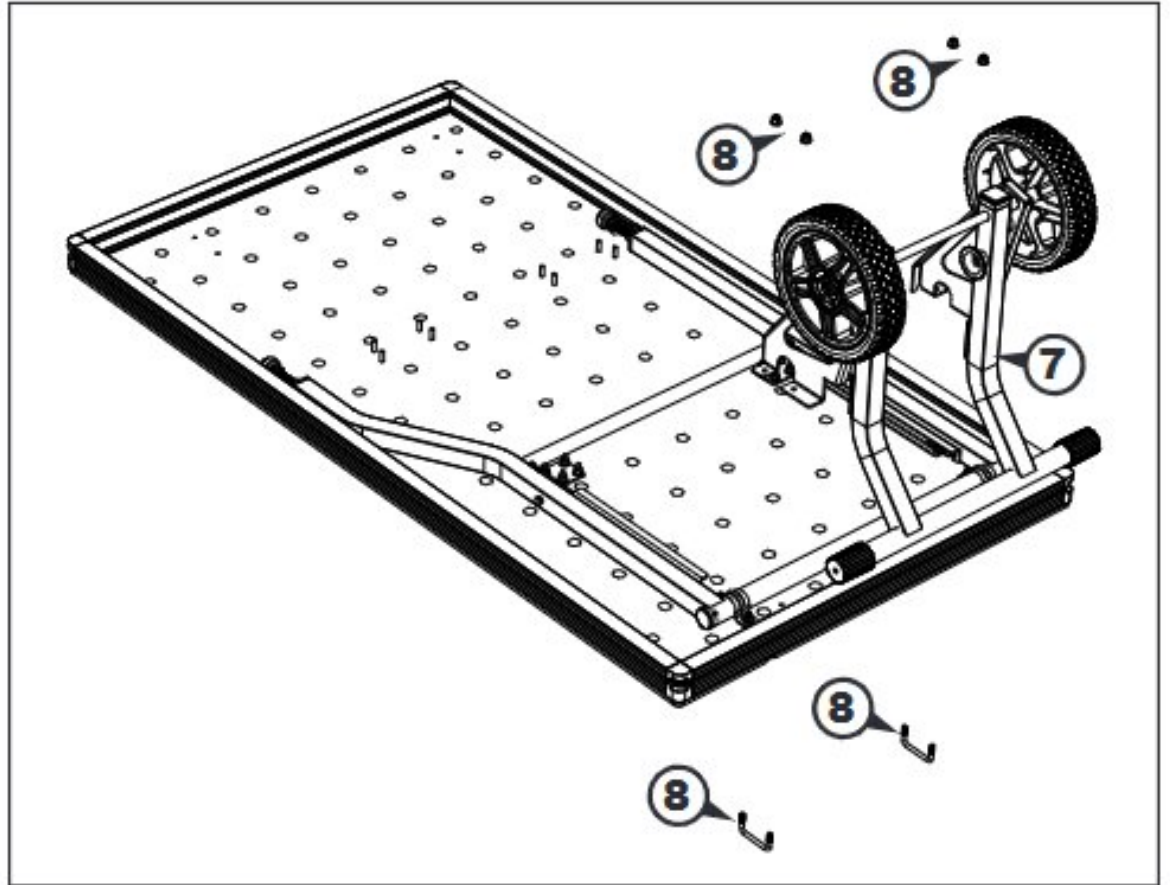
- (4) Fasten the upper bar of the leg assembly to the table top with U-bolts, bar brackets, and small flange lock nuts, using the outer pairs of holes. Tighten the nuts using the included wrenches or a 10mm deep socket and ratchet wrench.
- (5) Push down on the folded braces so they contact the table top.
- (6) Thread small flange lock nuts onto the brace anchor-plate studs and tighten the nuts using the included wrenches or a 10mm deep socket and ratchet wrench.



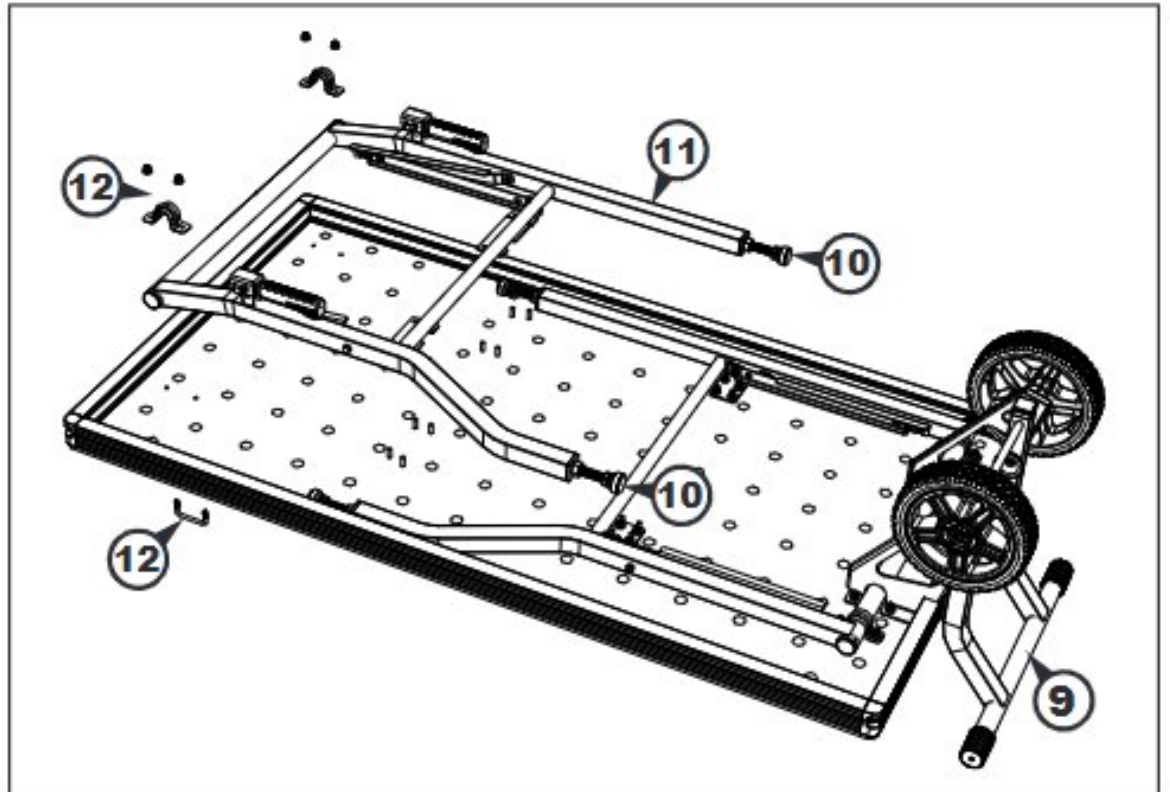
ASSEMBLY

Folding Base-Continued

- (7) Position the wheel assembly with the axle supports straddling the leg-assembly upper bar.
- (8) Fasten the wheel assembly to the table top with U-bolts and small flange lock nuts. Tighten the nuts using the included wrenches or a 10mm deep socket and ratchet wrench.



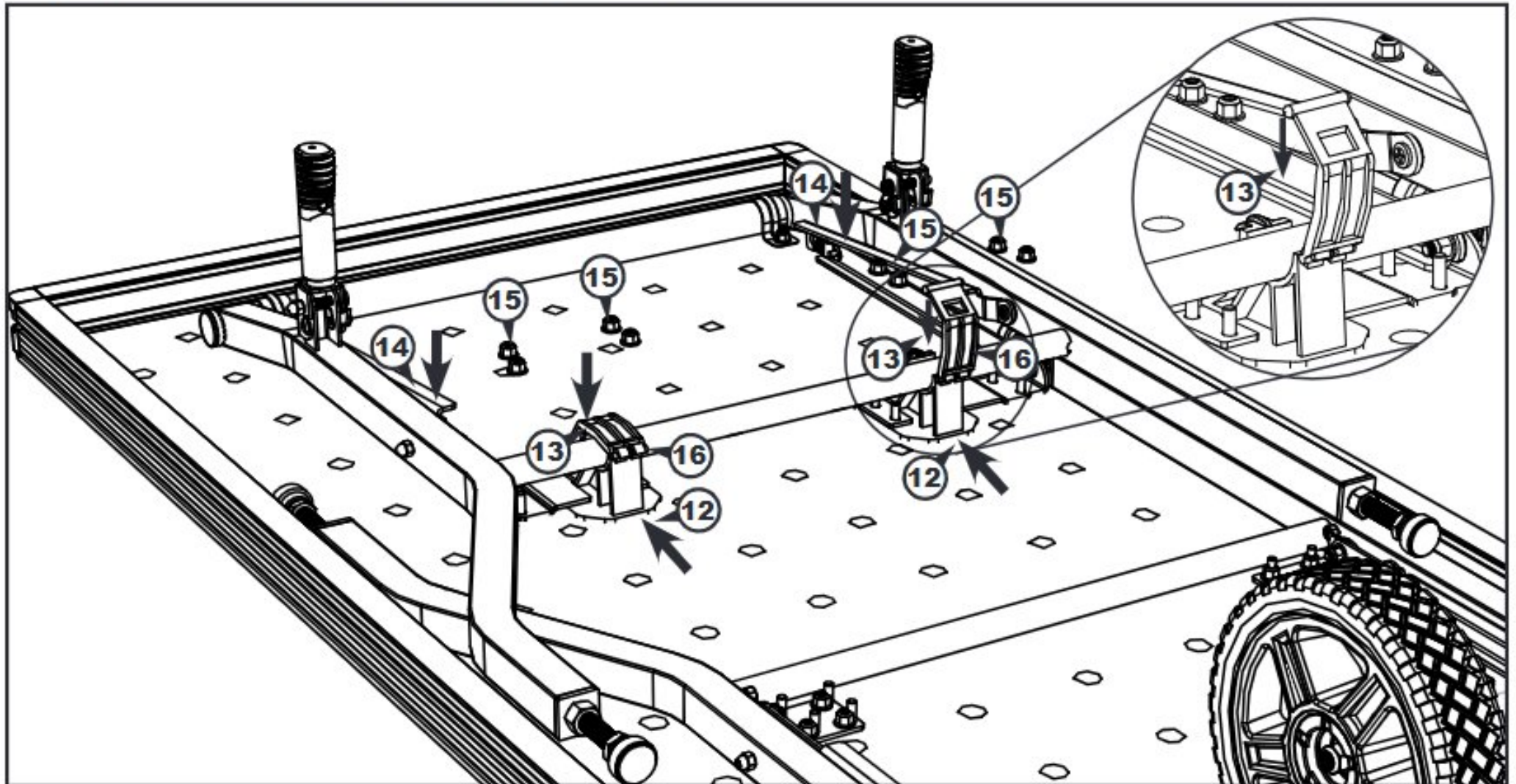
- (9) Deploy the kickstand, engaging the kickstand lock with the axle-brace flange.
- (10) Thread foot levelers into leg assembly 2 (the one with handles).
- (11) Position leg assembly 2 flat on the table top.
- (12) Fasten the upper bar of the assembly to the table top with U-bolts, bar brackets, and small flange lock nuts. Tighten the nuts using the included wrenches or a 10mm deep socket and ratchet wrench.



ASSEMBLY

Folding Base-Continued

- (12) Slide the retainers into the notches in the brace anchor plates so the slots in the retainers engage the anchor plates.
- (13) Lower the anchor plates with attached retainers onto the protruding studs.
- (14) Push down on the folded braces so they contact the table top.
- (15) Thread small flange lock nuts onto the brace anchor-plate studs and tighten the nuts using the included wrenches or a 10mm deep socket and ratchet wrench.
- (16) Clip the retainers to the lower leg-assembly bar.



- (17) Adhere the setup/stow instructions label to the table top.
- (18) Lift the table off the work surface and stand the folded table upright on the wheels and kickstand.

⚠ WARNING: Two people are required to lift the Project Table.

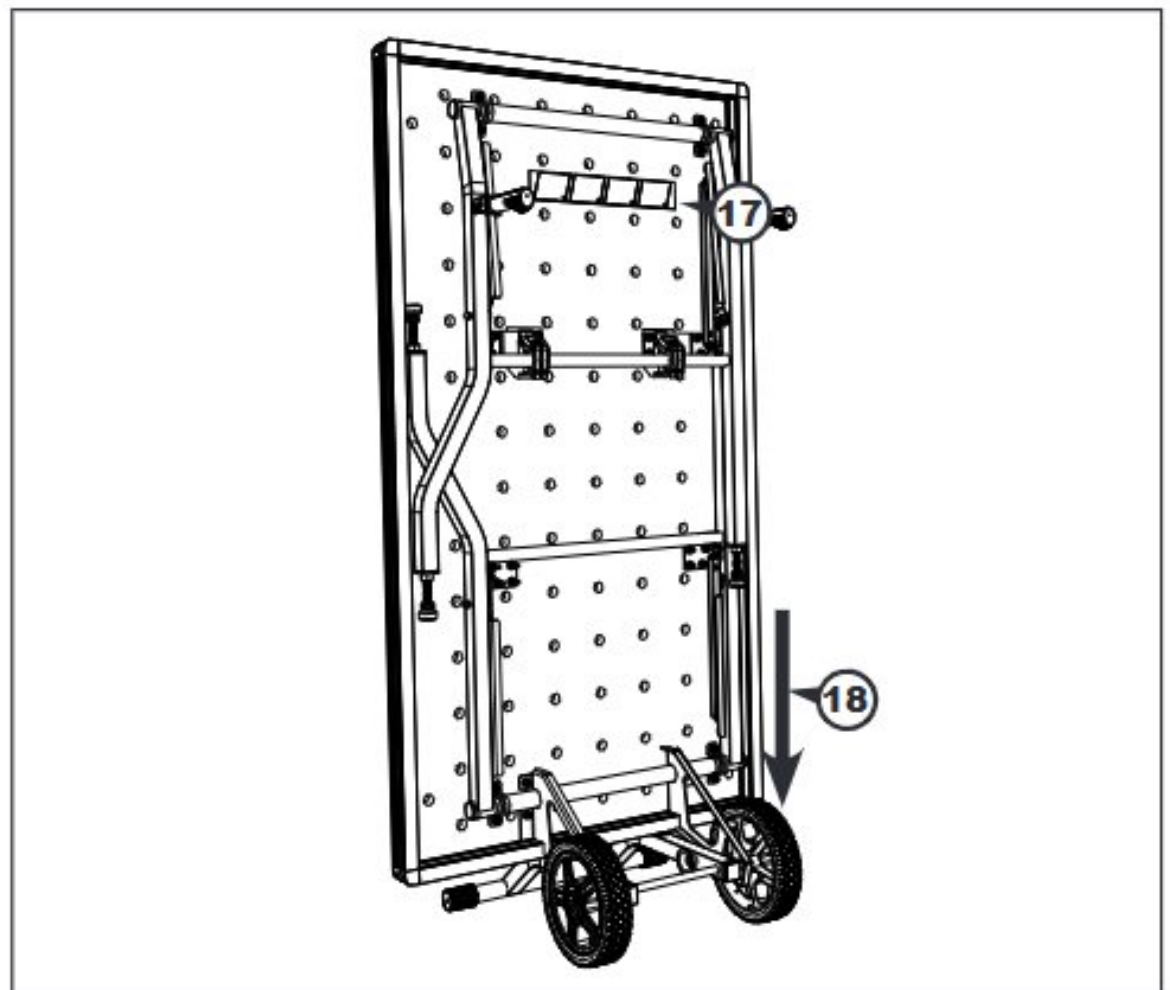
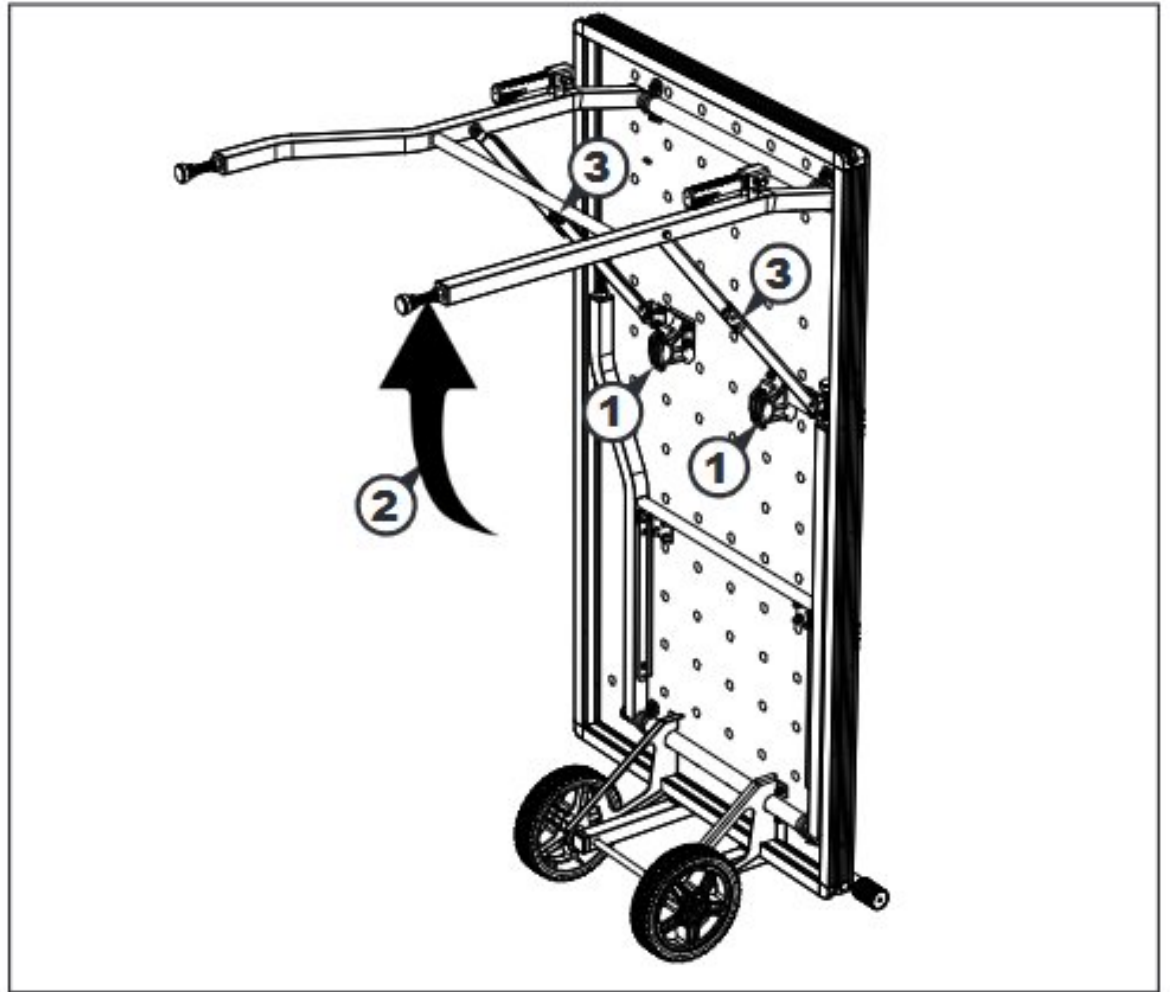
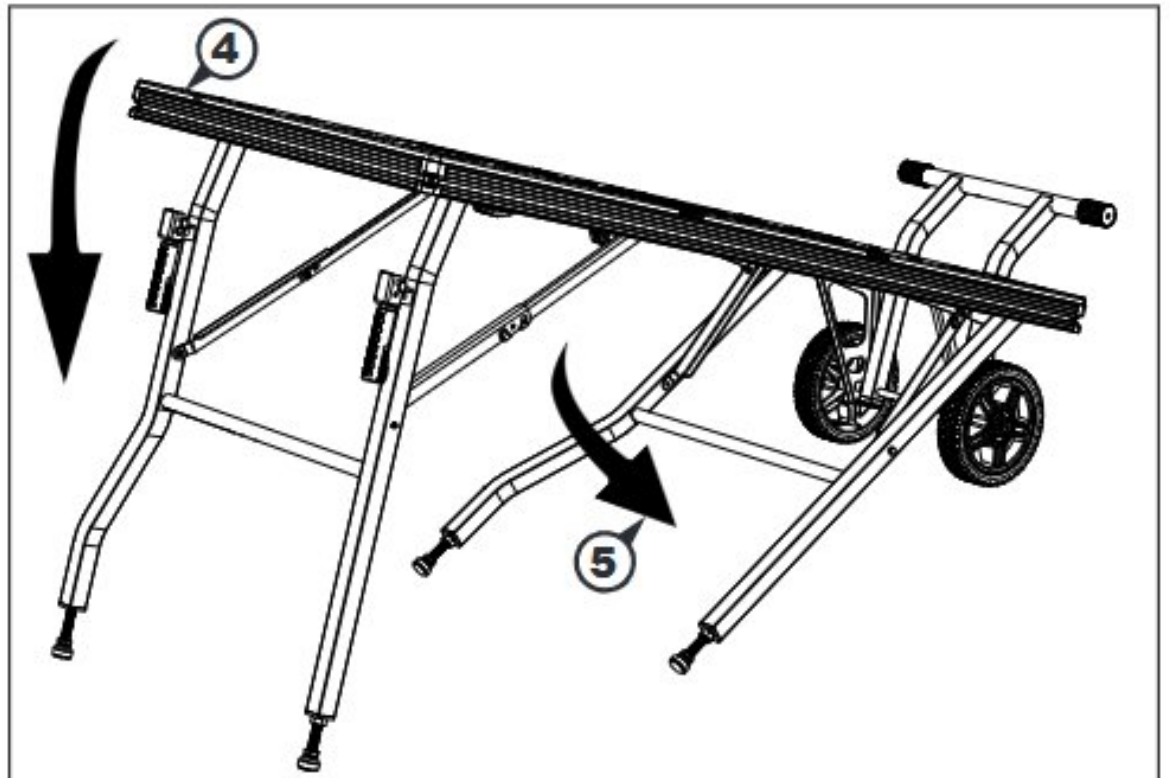


TABLE SETUP

- (1) Release the retainers.
- (2) Unfold leg assembly 2 (handle end).
- (3) Engage the brace locks.



- (4) Lower the table, pivoting it on the wheels, and rest the assembly 2 legs on the ground.
- (5) Lower leg assembly 1 (wheel end) to the ground.



- (6) Lift the wheel end by the kickstand.
- (7) Fully lower the legs.
- (8) Engage the brace locks.

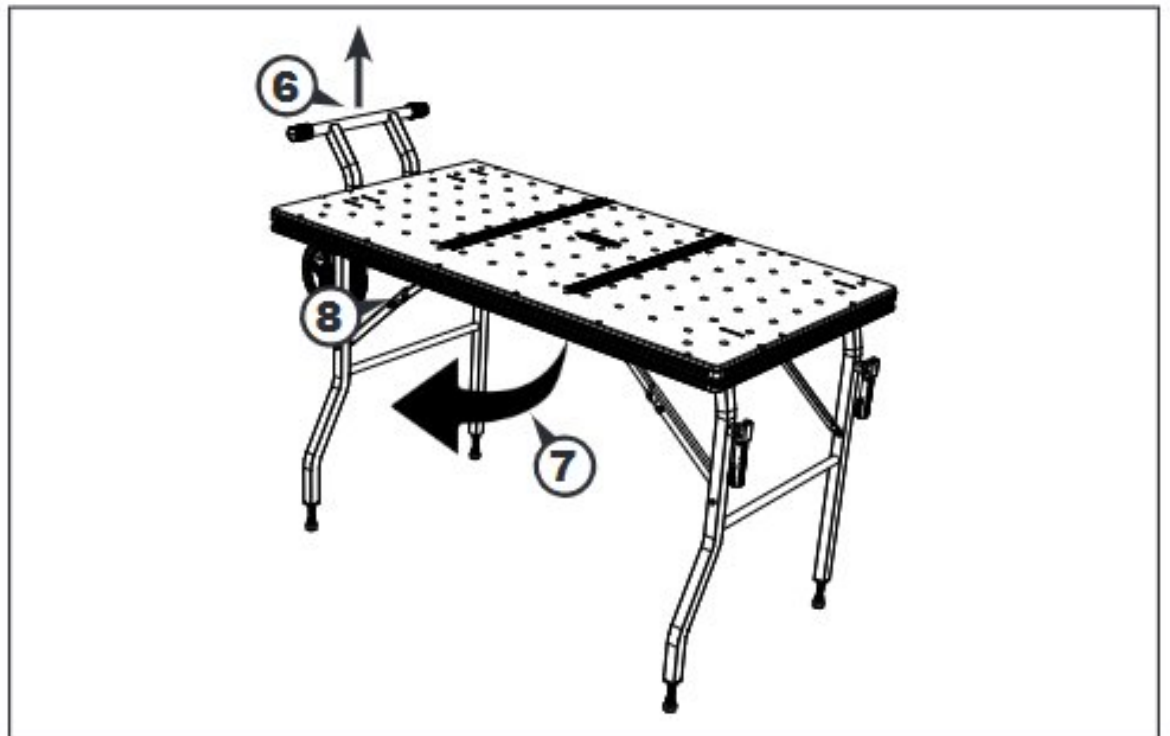


TABLE SETUP

- (9) Disengage the kickstand lock
- (10) Pivot the kickstand under the table.
- (11) Adjust foot levelers to desired height by hand, and lock the leveler locknut in place using a $\frac{3}{4}$ " combination wrench.

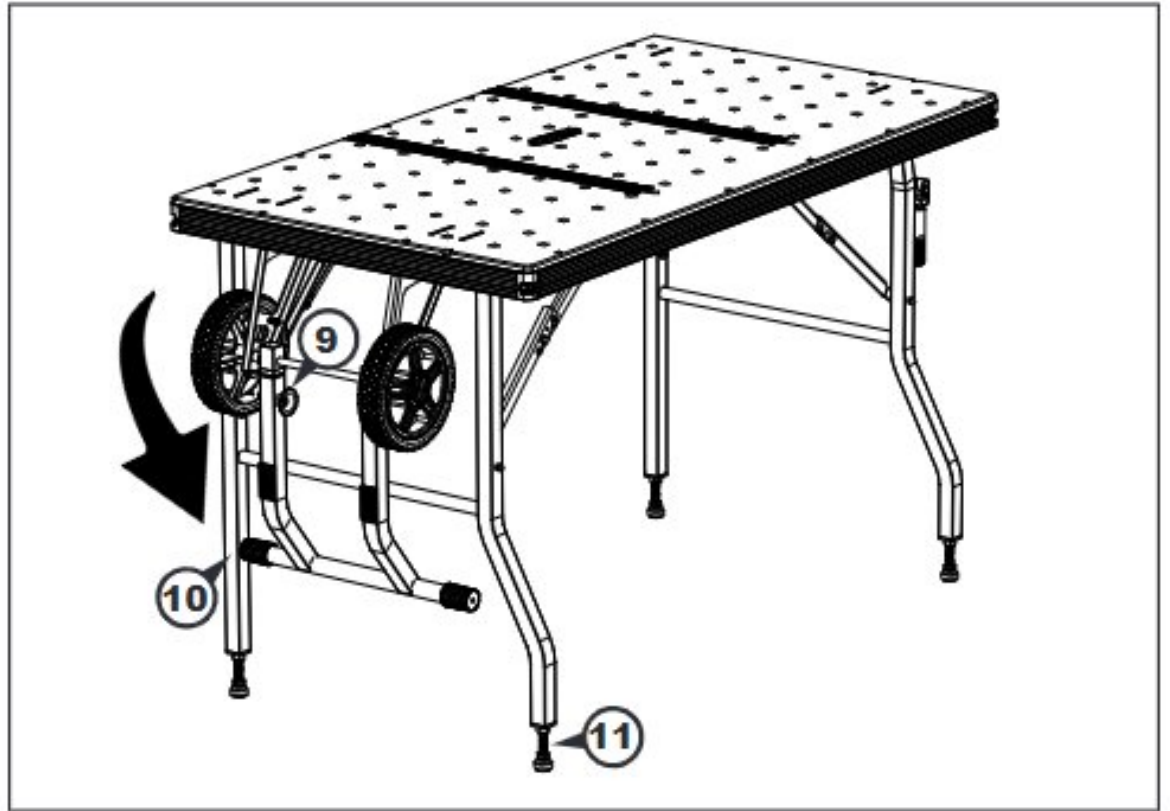
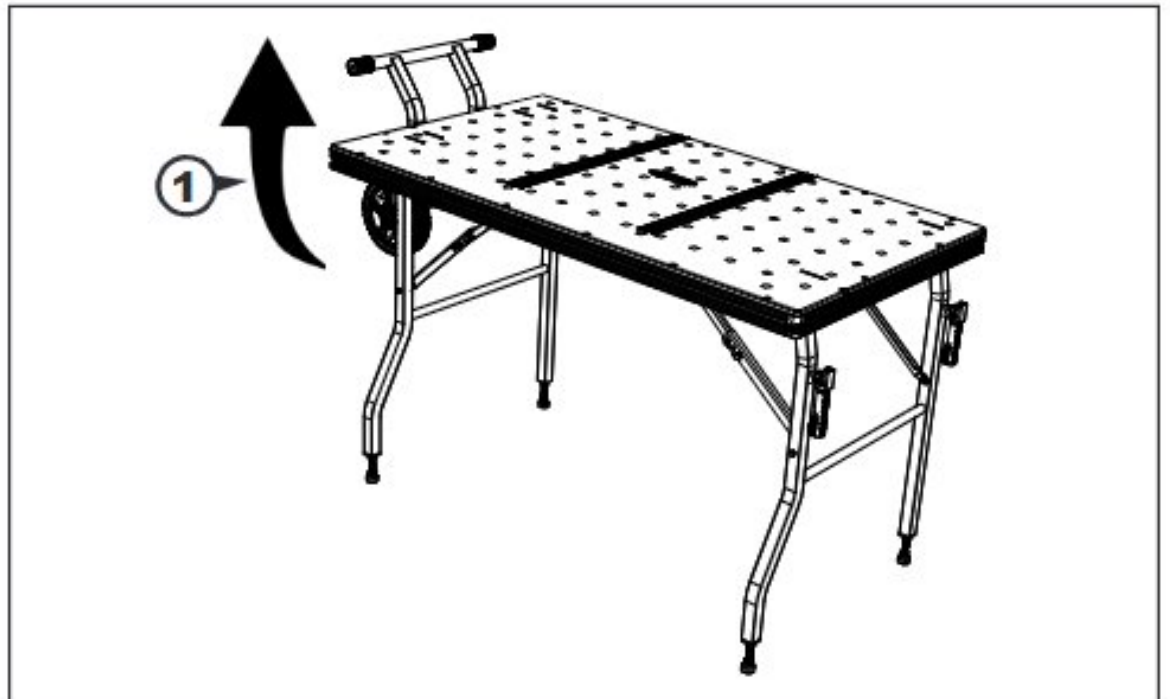


TABLE STOW

- (1) Deploy the kickstand engaging the lock.



- (2) Release the leg assembly 1 brace locks.
- (3) Lift the wheel end of the table by the kickstand.
- (4) Swing legs under the table.
- (5) Rest the end of the table on the wheels.

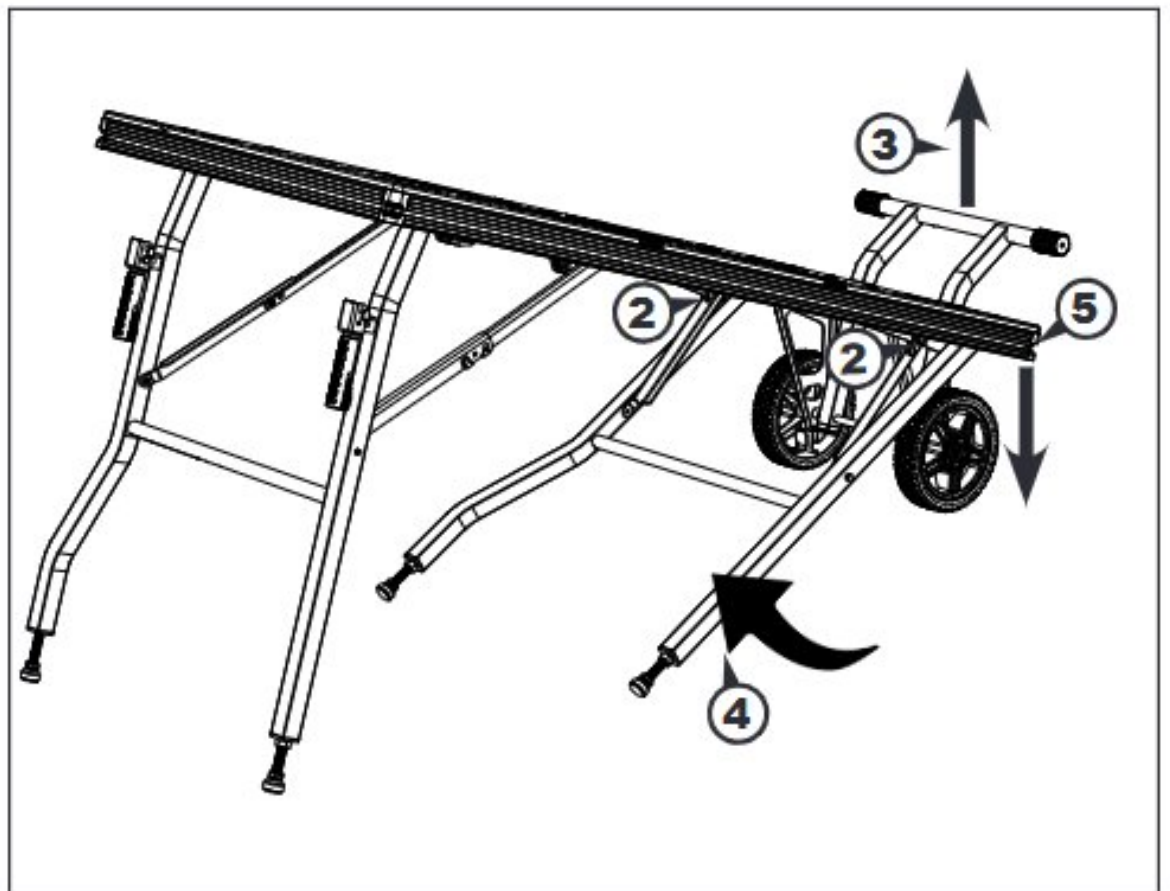
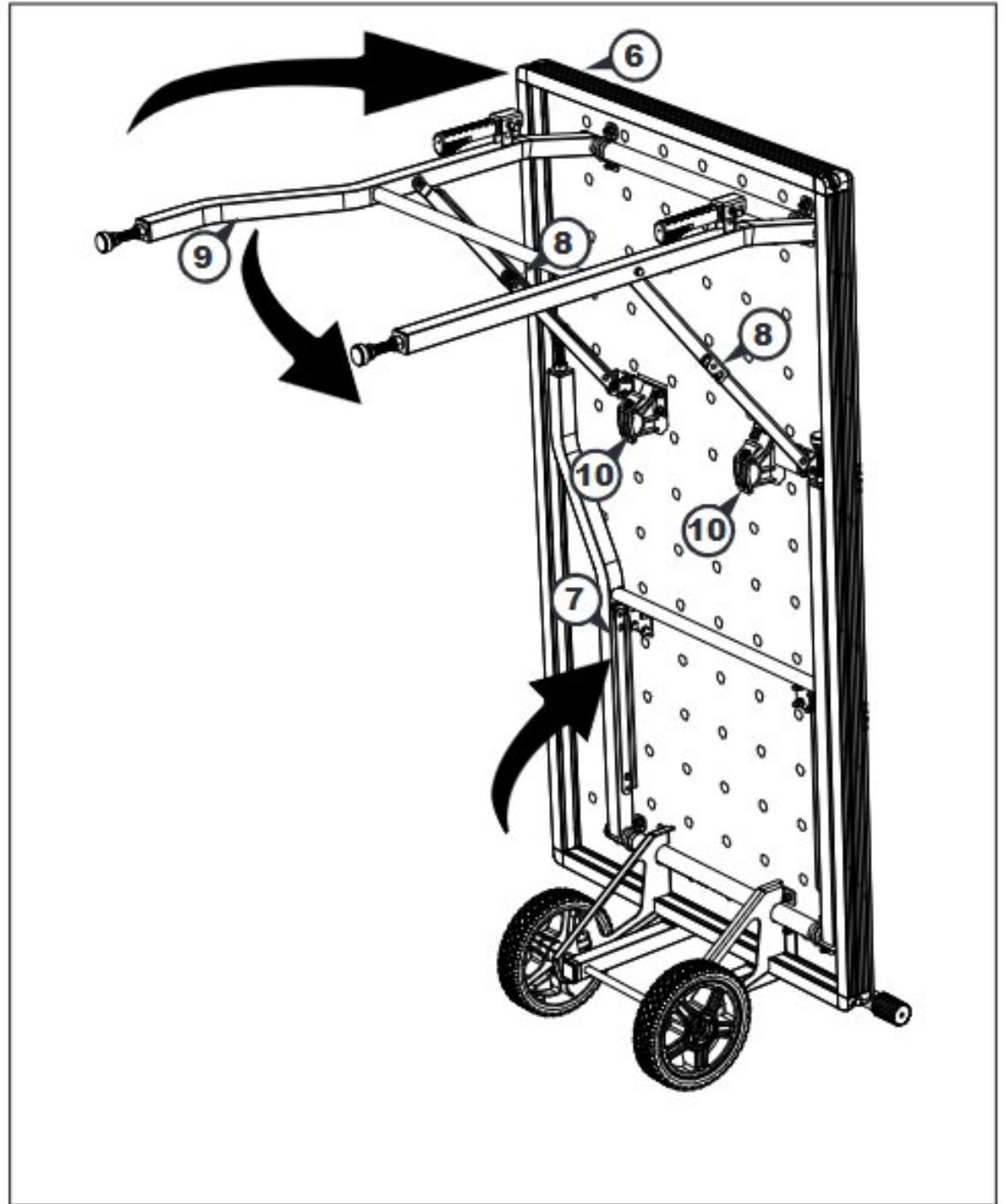


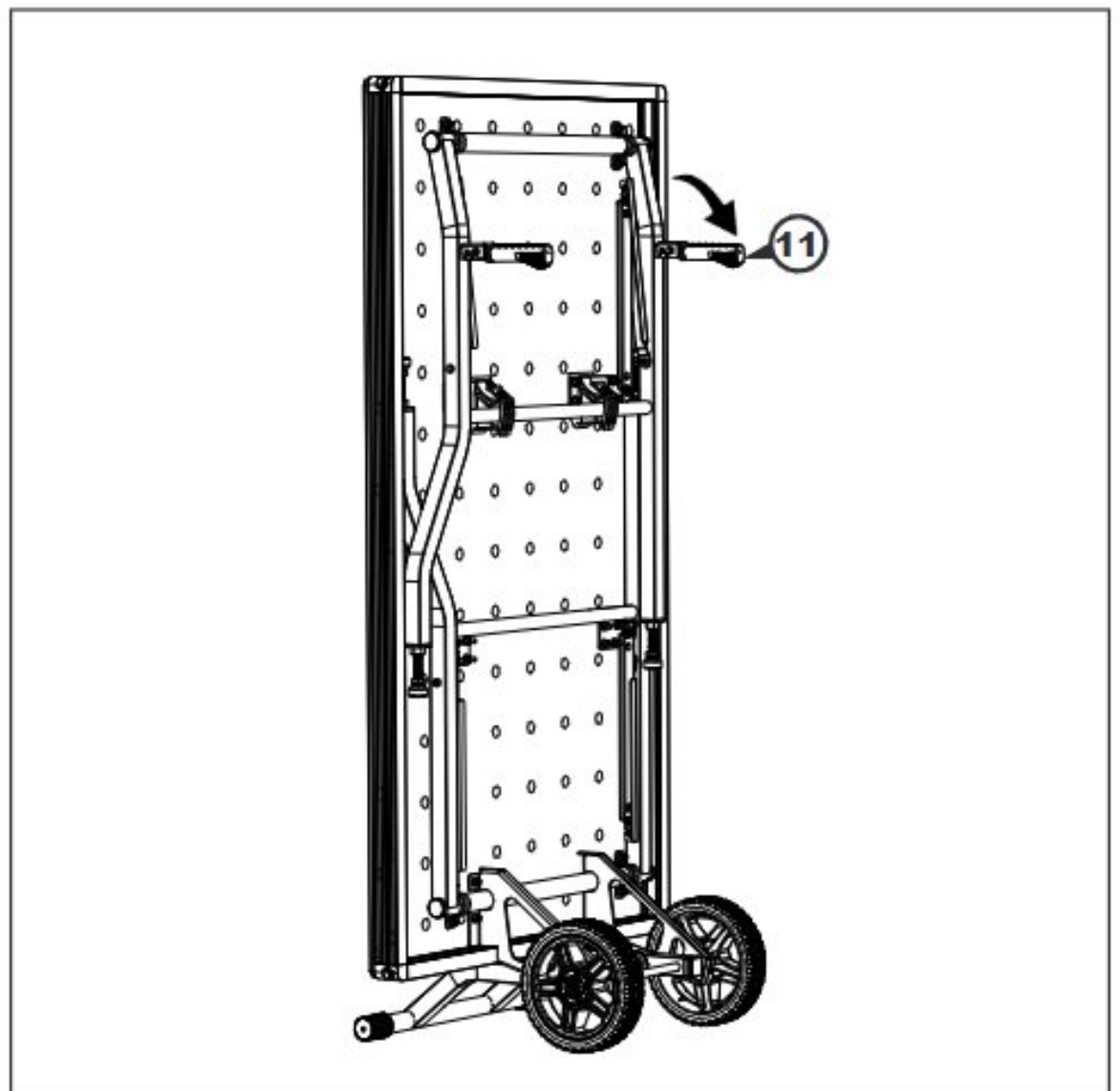
TABLE STOW

- (6) Lift the handle end of the table to the upright position.
- (7) Fold leg assembly 1 against the project table top.
- (8) Release the leg assembly 2 brace locks.
- (9) Fold leg assembly 2 against the project table.
- (10) Clip the retainers around the bar.



- (11) Deploy the handles to move the table. Store the folded table upright.

⚠ ATTENTION: The Kreg ACS 62" Guide Track (ACS430) can be stored on the table if desired.

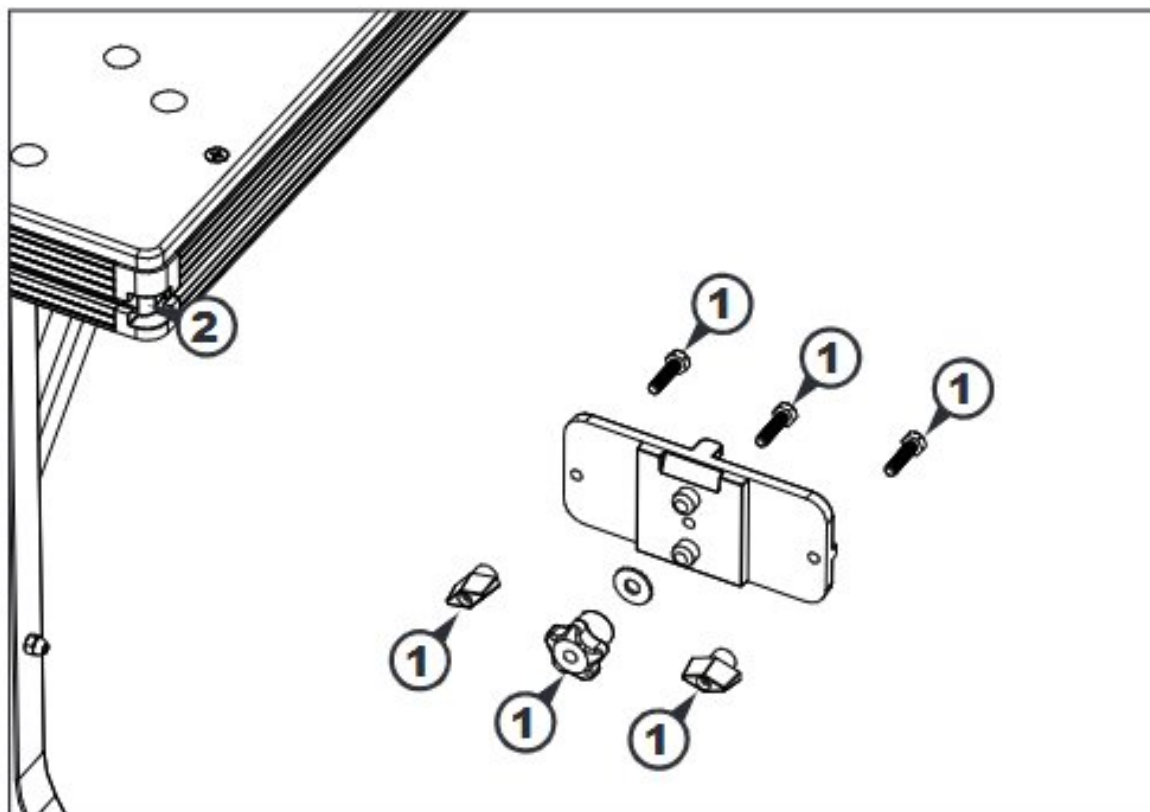


GUIDE TRACK

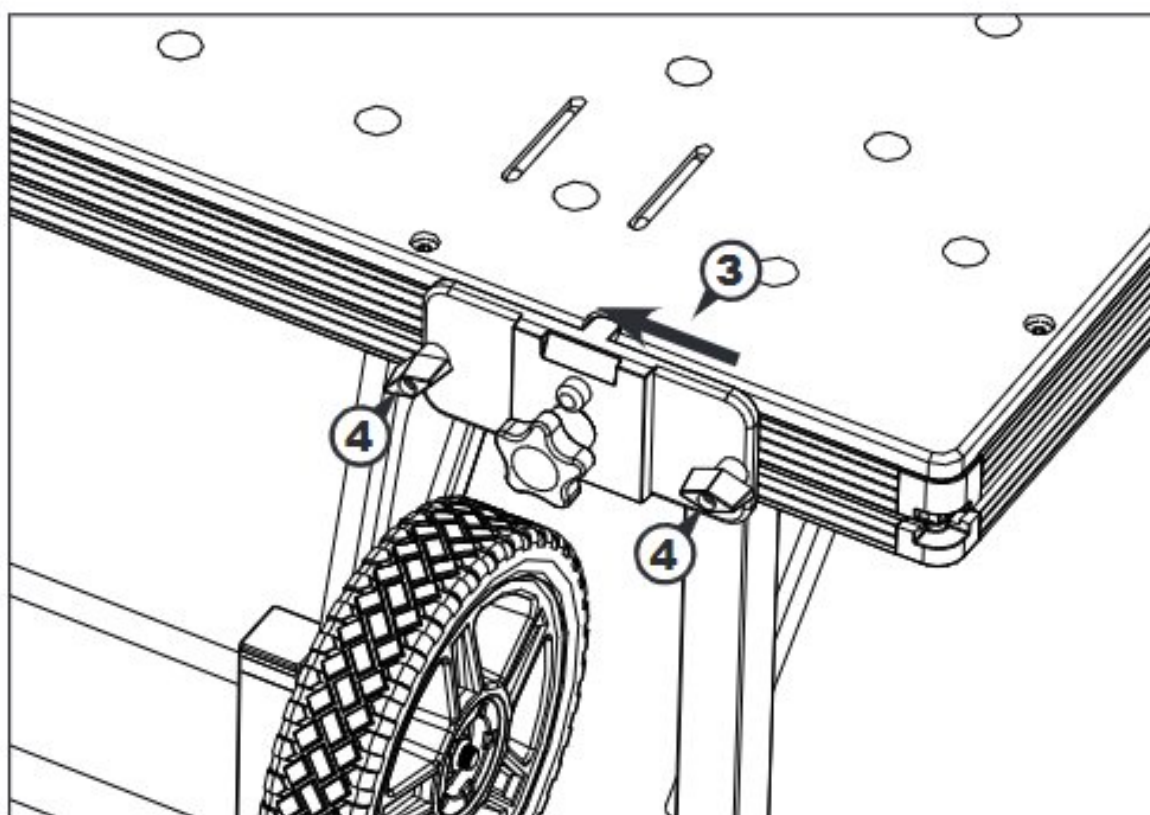
⚠ ATTENTION: The 62" guide track (Item #ACS430) is supplied with the Plunge Saw + Guide Track (item#ACS2000), the Master Kit (item#ACS3000) or is available separately.

⚠ ATTENTION: Before mounting the guide track on the table, trim the anti-chip strip, following the instructions included in the manual provided with the Kreg Plunge Saw (item#ACS-SAW).

- (1) With the table set up (see **Table Setup**), install the star-knob, brass flat washer, and Zinc hex-head bolt and T-knobs and bolts on the hinge-mounting plates.
- (2) Slide the heads of the T-knob bolts into the T-slot in the table perimeter track.
- (3) Position the plate-alignment tabs all the way to the rear of the table-top notches.
- (4) Tighten the T-knobs.

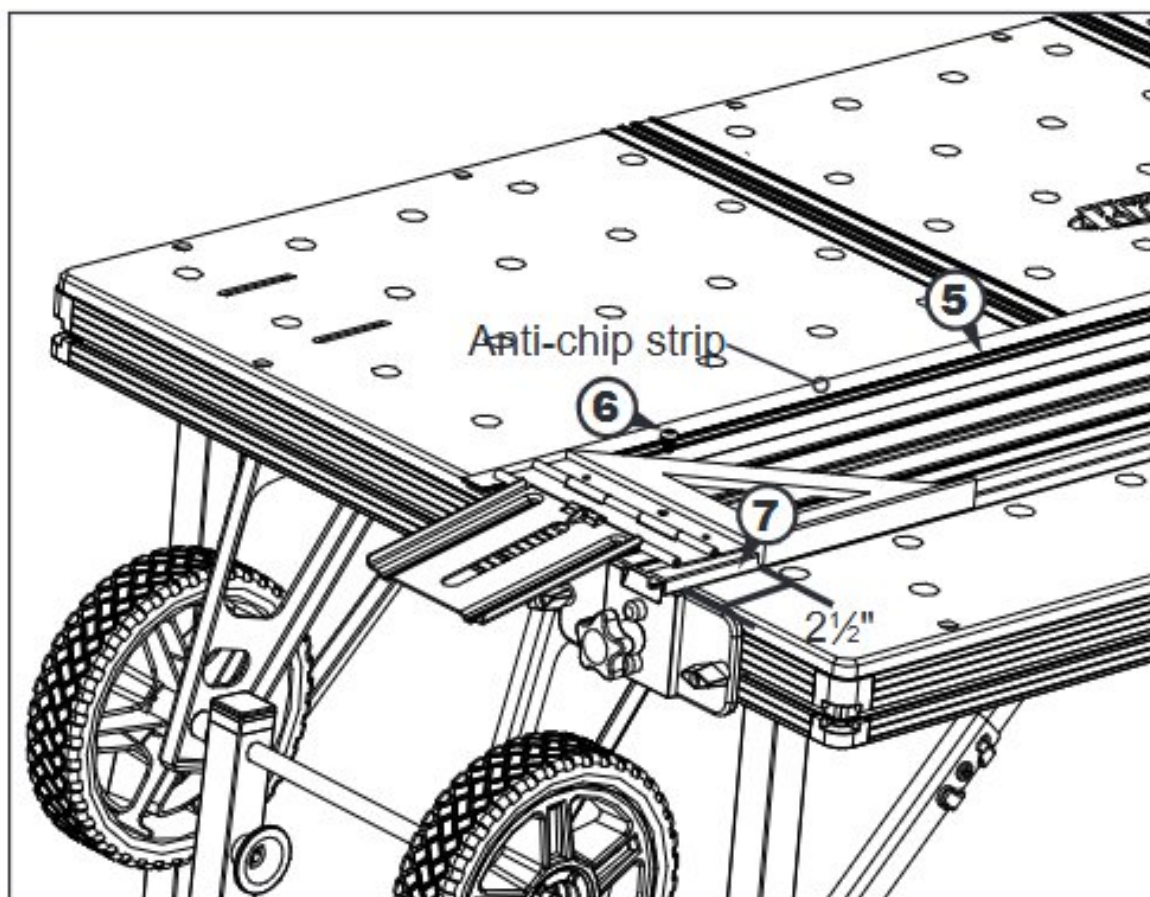


- (5) Position the guide track upside down on the table with the anti-chip strip toward the center of the table.
- (6) Install a cap screw and T-slot nut on the first hinge and slide the T-slot nut into the track outfeed-end T-slot.



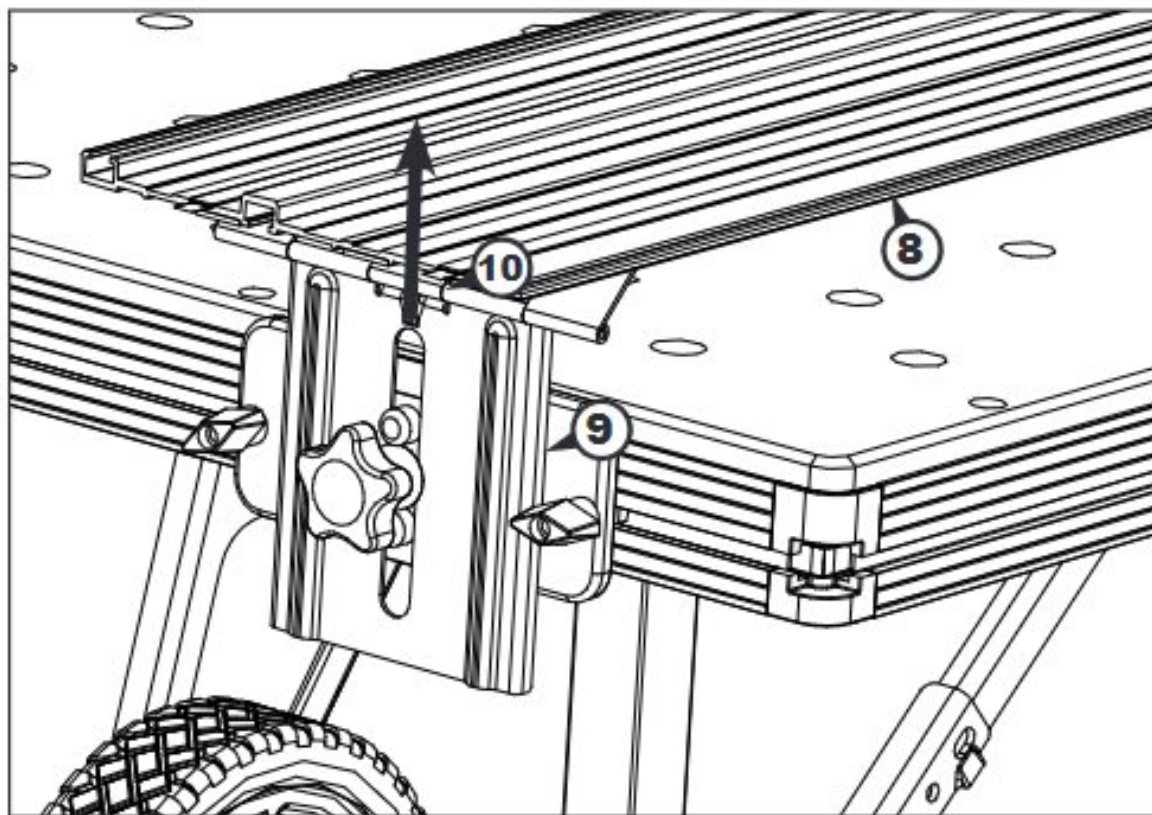
⚠ ATTENTION: Both hinges are identical and are installed so they operate in the same direction to raise and lower the guide track.

- (7) Position the edge of the hinge $2\frac{1}{2}$ " [64mm] from the end of the track, square it to the track edge, and tighten the cap screw with the included hex wrench.

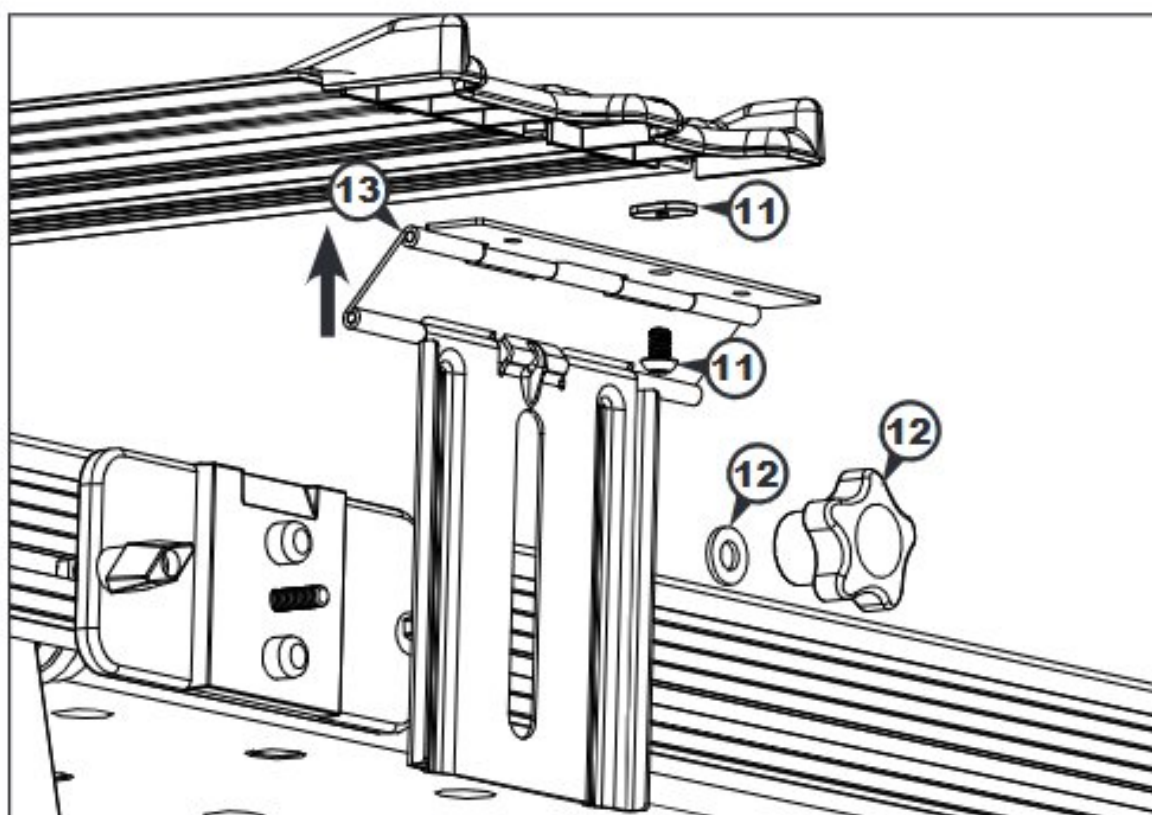


GUIDE TRACK

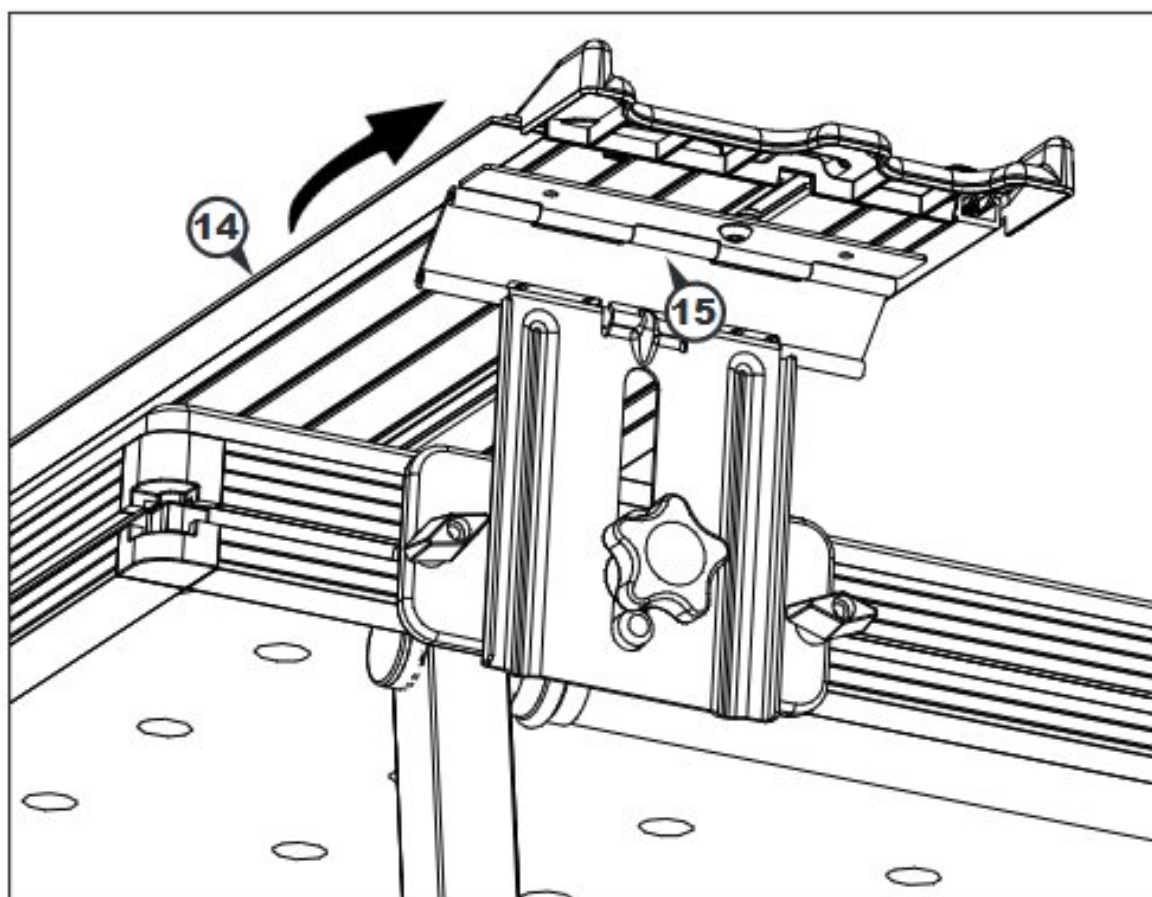
- (8) Turn the track right side up and orient it with the anti-chip strip toward the near edge of the table.
- (9) Attach the outfeed-end hinge upright to the outfeed-end hinge mounting plate with the star knob and brass flat washer.
- (10) Raise the hinge upright to the full-up position and tighten the star knob.



- (11) Install a cap screw and T-slot nut on the second hinge and slide the nut into the track infeed-end T-slot. Do not tighten the screw.
- (12) Attach the hinge upright to the infeed-end mounting plate with the star-knob and brass flat washer.



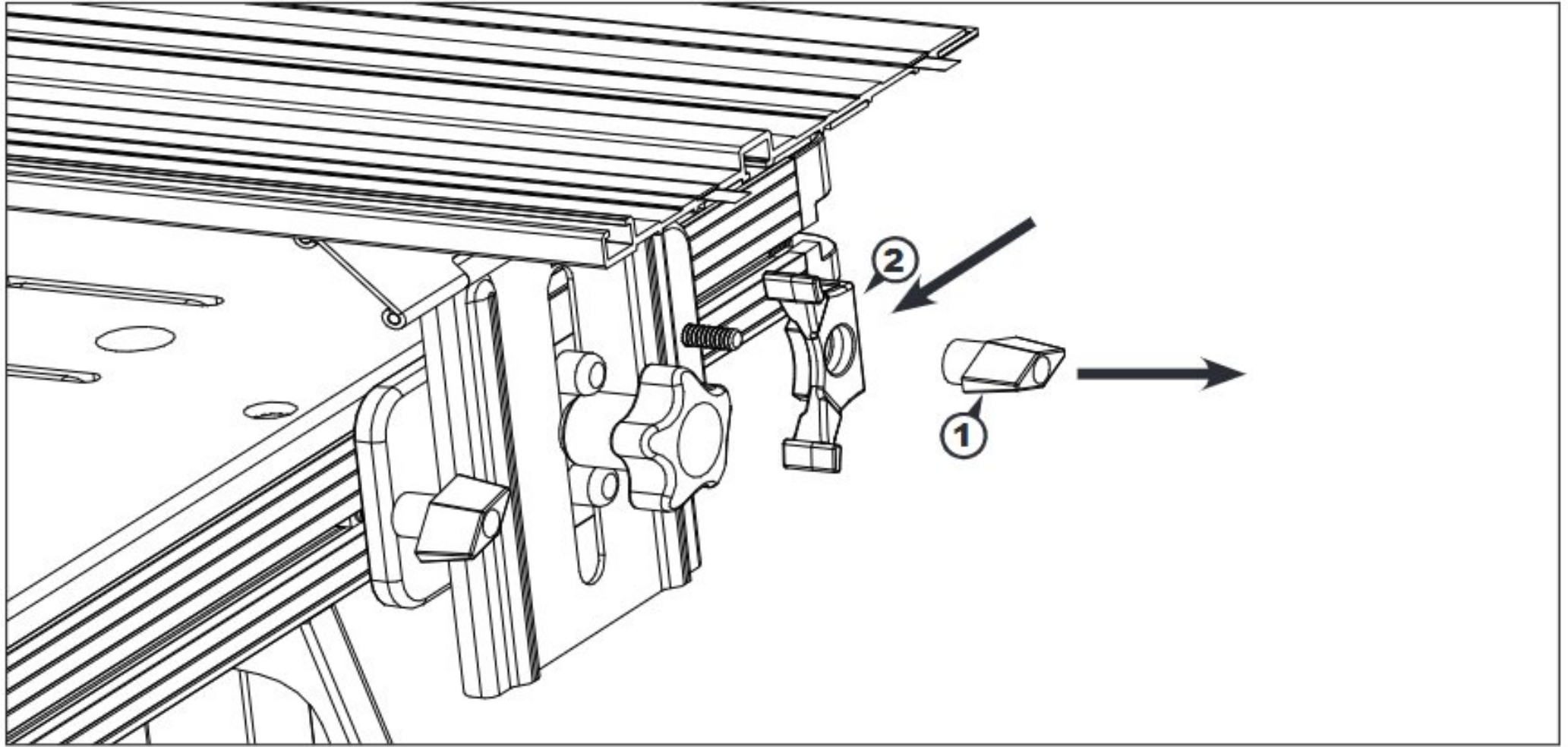
- (13) Raise the hinge to the full-up position, and tighten the star knob.
- (14) Lift the track as you shift it toward the infeed end to fully open both hinges.
- (15) Tighten the hinge cap screw with the included hex wrench.



⚠ ATTENTION: Make sure both hinges are fully open prior to tightening the hinge cap screw. This will ensure proper hinge operation.

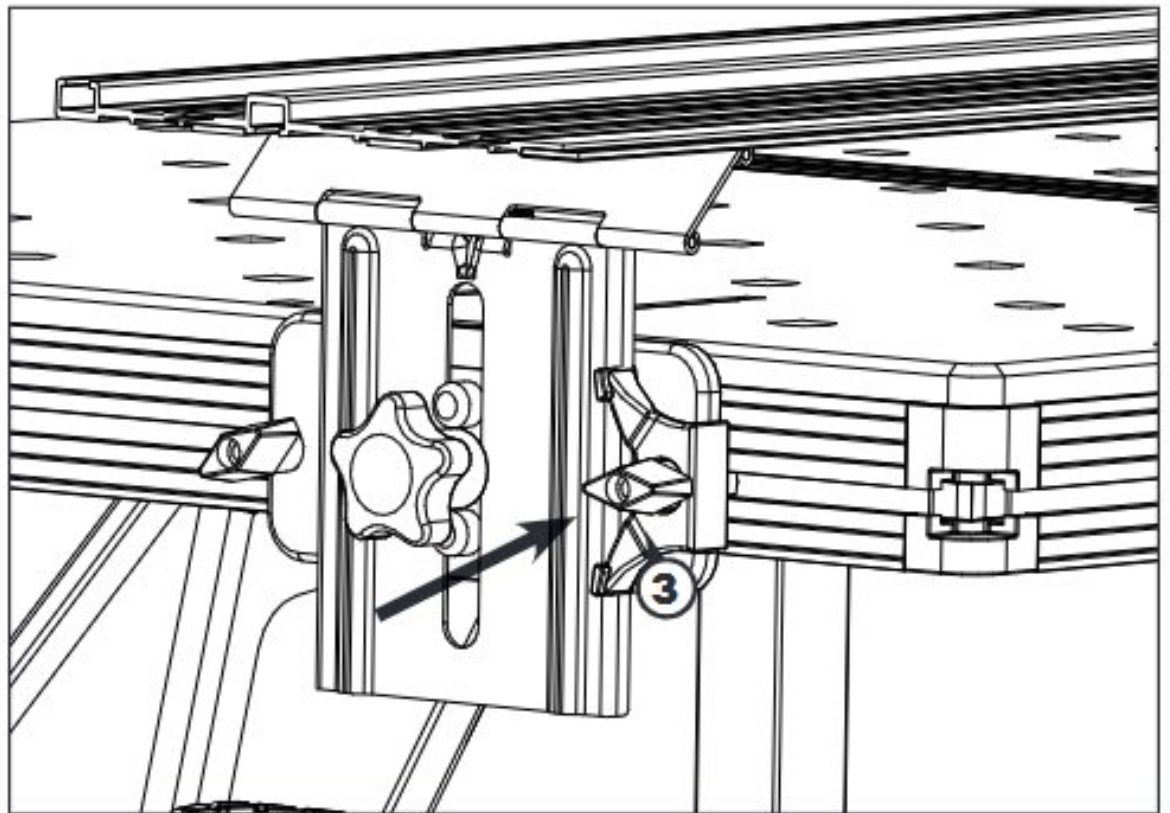
HINGE SUPPORT BRACKET INSTALLATION

- (1) Remove the T-Knob located on the cut side of the table.
- (2) Insert the Hinge Support Bracket on the Zinc Hex Head Bolt.



- (3) Reinstall the T-Knob and tighten.
- (4) Repeat the process for the opposing Hinge Mounting Plate.

⚠ ATTENTION: Both Hinge Support Brackets should be installed on the cut end of the table on each Hinge-Mounting Plate.



ALIGN THE GUIDE TRACK

⚠ ATTENTION: The guide track anti-chip strips must be trimmed before aligning the track. See the **Plunge Saw + Guide Track** instructions.

- (1) Insert tall Versa-Stops into the two track-alignment holes in the bench top.
- (2) Lift the guide track as you shift it toward the outfeed end to fully close the hinges.
- (3) Loosen both mounting-plate star-knobs and lower the track. Tighten the knobs.
- (4) Loosen the mounting-plate T-knobs and push the plates toward the edge of the table until the track anti-chip strip touches both Versa-Stops. Tighten the mounting-plate T-knobs.
- (5) Remove the Versa-Stops.

⚠ WARNING: Use the track-alignment Versa-Stop holes only when aligning the track. Do not place Versa-Stops in the track-alignment holes for any cutting operation.

⚠ ATTENTION: Once the guide track is aligned, do not remove the hinge-mounting plates from the table. To use the table without the track, remove the track and hinges together to eliminate track realignment. To use the track and saw independently of the table, remove the hinges from the track. Anytime you remove the hinge-mounting plate from the table or the hinges from the track, you must realign the track.

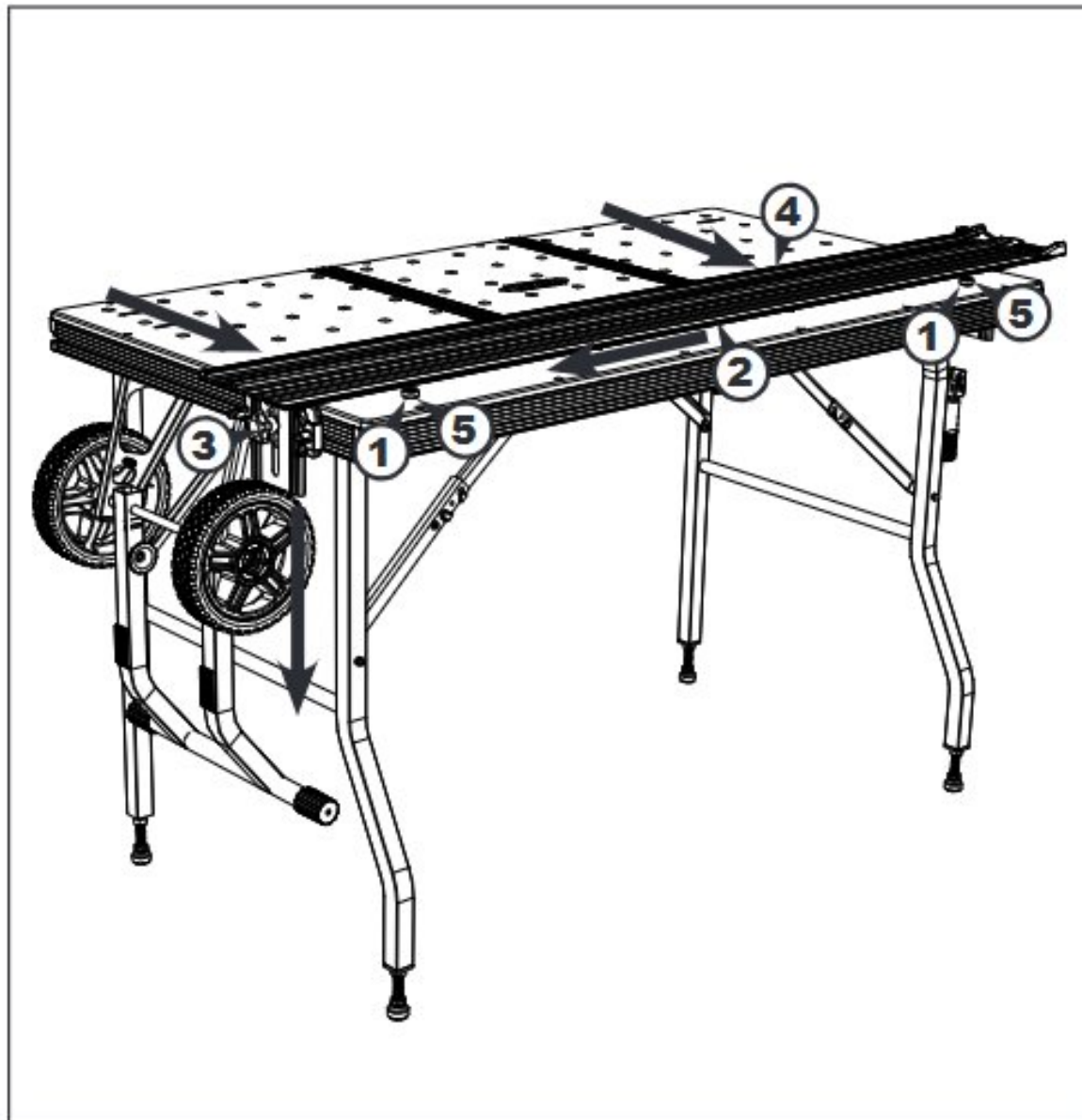


TABLE-TRACK RULERS

- (1) Adjust the guide-track height for $\frac{3}{4}$ "-thick material. (See **Adjusting the guide track for workpiece thickness** in the **USING THE PROJECT TABLE** section.)
- (2) Position a $\frac{3}{4}$ " plywood scrap under the guide track so the plywood supports the entire track length and width.
- (3) Set the saw cutting depth to 1", position the saw on the track, and cut a $\frac{1}{4}$ "-deep saw kerf into the table along the entire length.

⚠ WARNING: Refer to the Plunge Saw manual for proper saw operation.

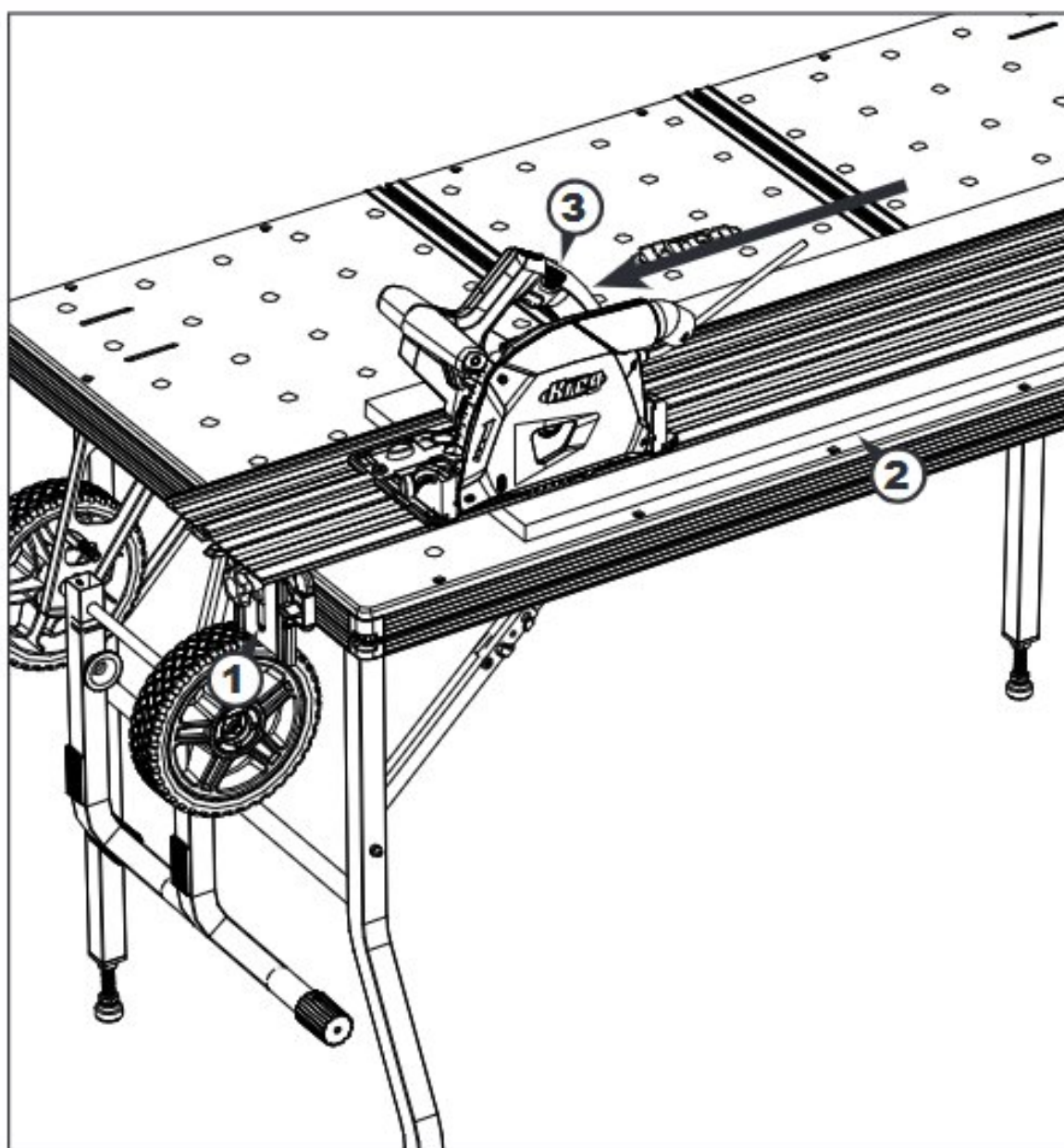
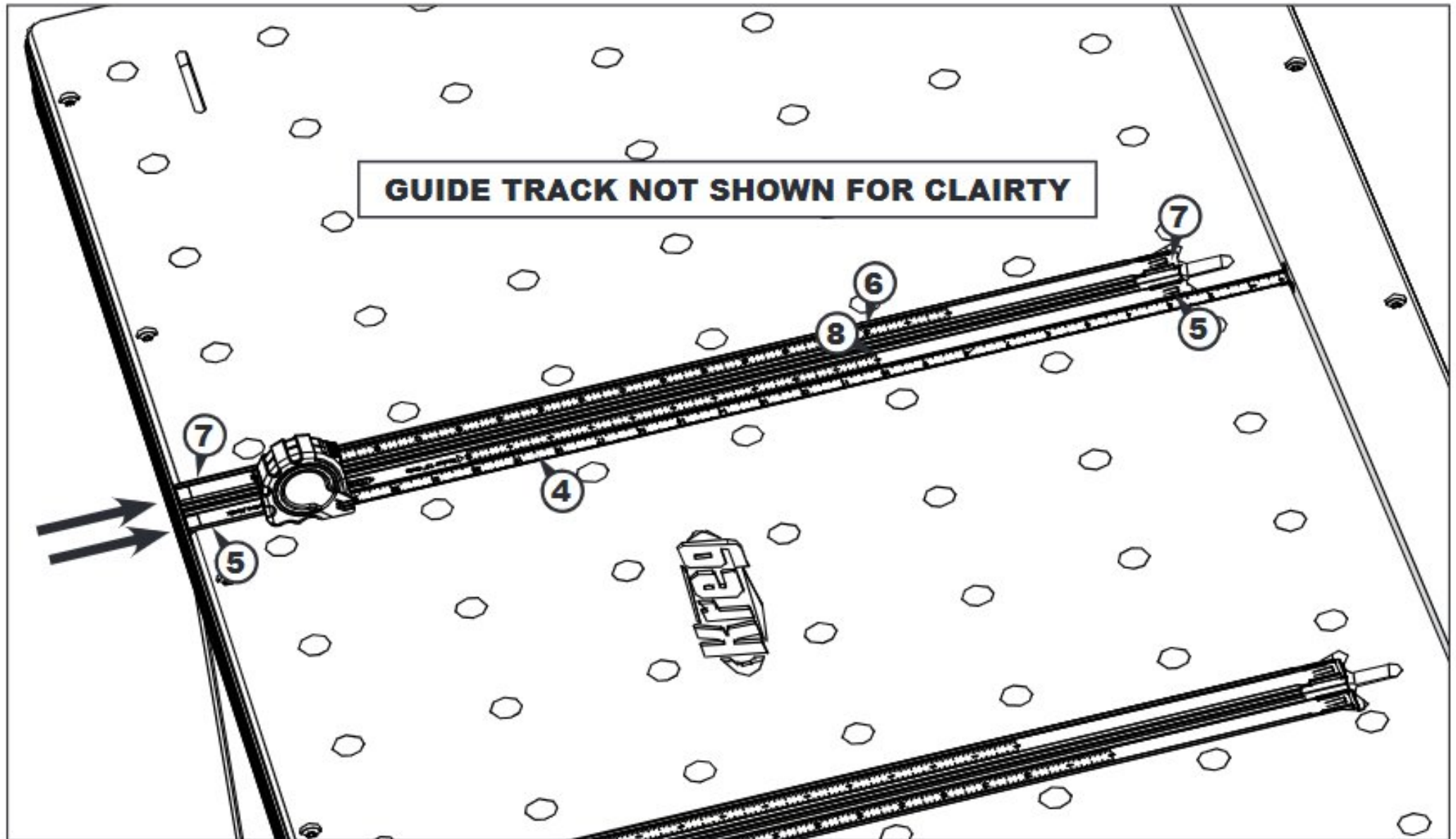


TABLE-TRACK RULERS



- (4) Slide a tape rule under the guide track, hook it on the inside edge of the saw-blade kerf, and extend the tape past the 10" mark.
- (5) Slide a primary ruler, 8"-mark end first, into the channel nearest the infeed end (handle end) of the table in one table track. Push the leading end of the ruler into the ruler lock.
- (6) Adjust the primary ruler 10" mark to align with the 10" mark on the tape rule.
- (7) Slide a secondary ruler, 0"-end first, into the second channel in the track, engaging the end in the ruler lock.
- (8) Align the 0" mark on the secondary ruler with the 10" mark on the primary ruler.

Repeat these steps to install the remaining rulers in the other table track.

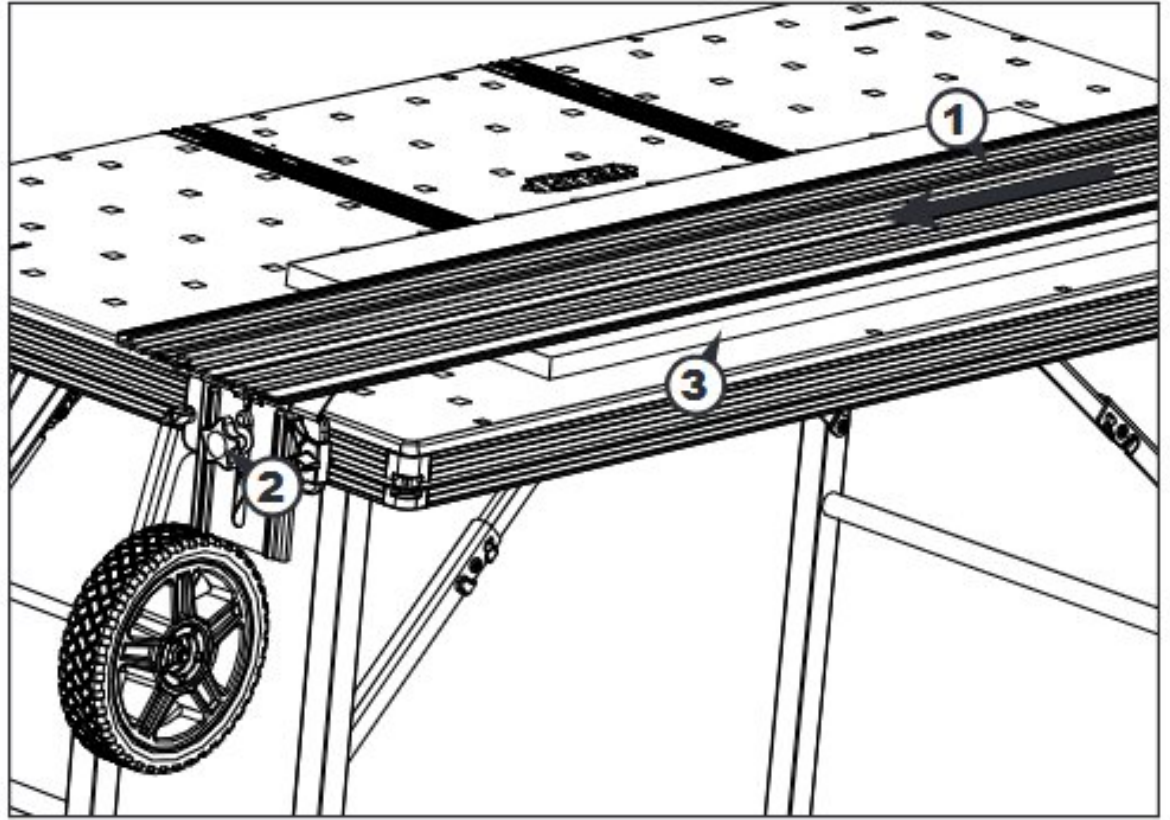
⚠ ATTENTION: The primary rulers must be in the infeed end (handle-end) slots in each table track.

⚠ ATTENTION: Be sure to calibrate the rulers in both table tracks.

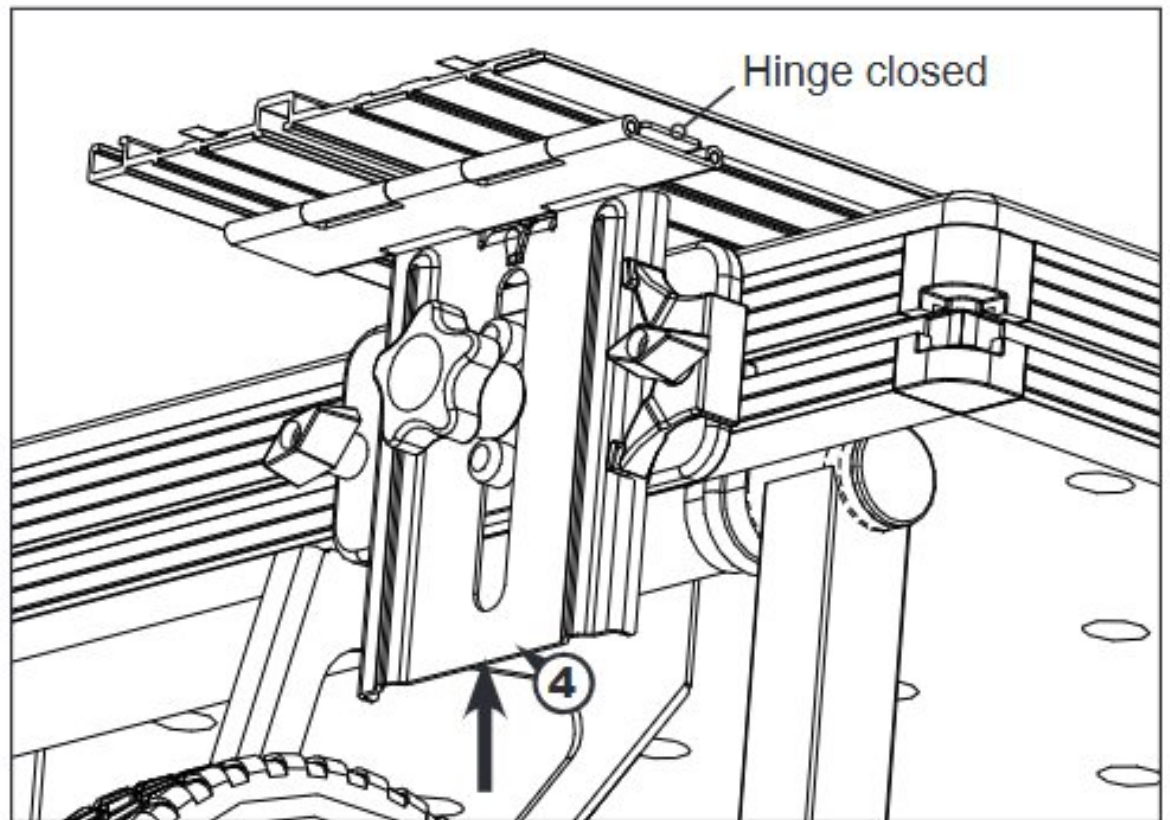
USING THE PROJECT TABLE

Adjusting the guide track for workpiece thickness

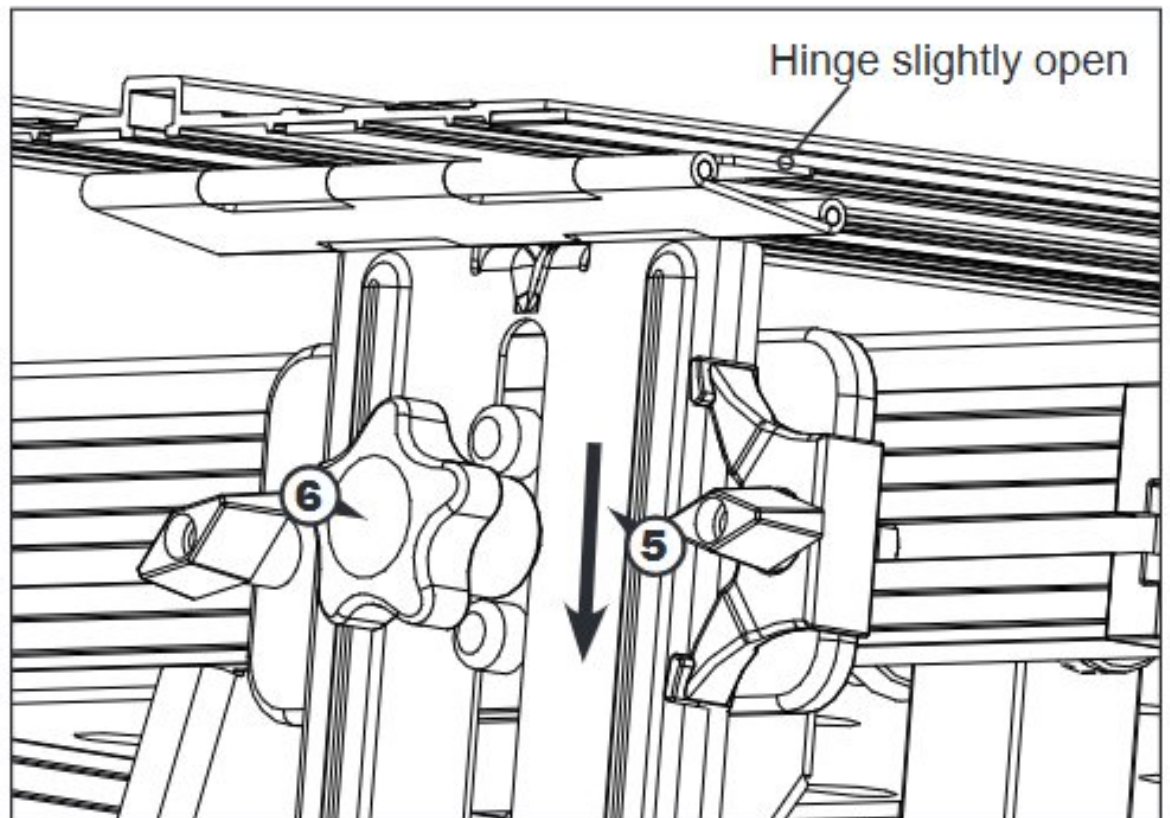
- (1) Lift the guide track as you shift it toward the outfeed end to fully close the hinges.
- (2) Loosen both mounting-plate star-knobs and lower the track onto the table. Leave the knobs loose.
- (3) Place the workpiece under the guide track.



- (4) For workpieces $\frac{1}{2}$ " and thicker, raise the hinge upright at one end to fully close the hinge.



- (5) Lower the hinge upright $\frac{1}{8}$ – $\frac{1}{4}$ " to slightly open the hinge.
- (6) Tighten the star-knob. Repeat at the other end.



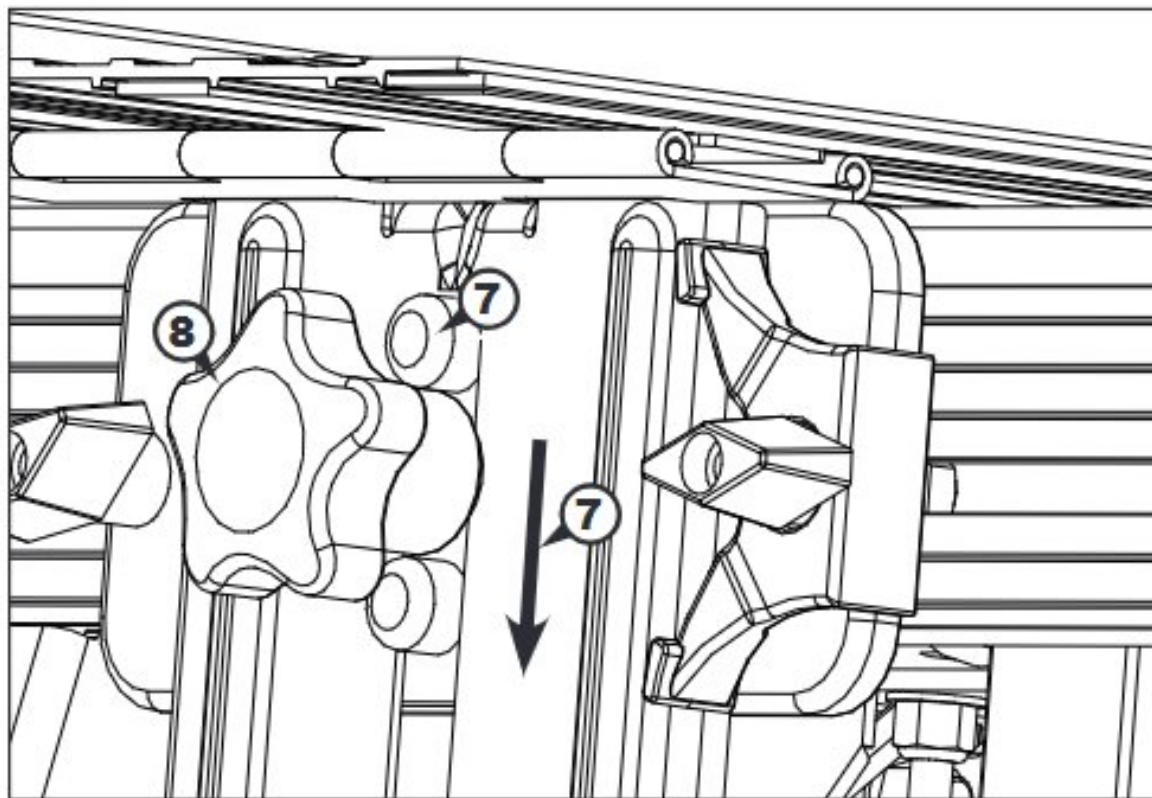
⚠ ATTENTION: Slightly lowering the hinge uprights ensures that the guide track rests on the workpiece allowing full contact between the anti-slip strips and the workpiece.

USING THE PROJECT TABLE

- (7) For workpieces less than $\frac{1}{2}$ " thick, lower the hinge upright until the top of the slot rests on the upper hinge-plate peg.
- (8) Tighten the star-knob. Repeat at the other end.

VERSA-STOPS

Use the short Versa-Stops under the guide track for positioning workpieces down to $\frac{1}{4}$ " thick. Tall Versa-Stops protrude above a $\frac{3}{4}$ "-thick workpiece for easy confirmation of workpiece alignment. Versa-Stops cannot be positioned under the saw track when cutting material less than $\frac{1}{4}$ " thick.



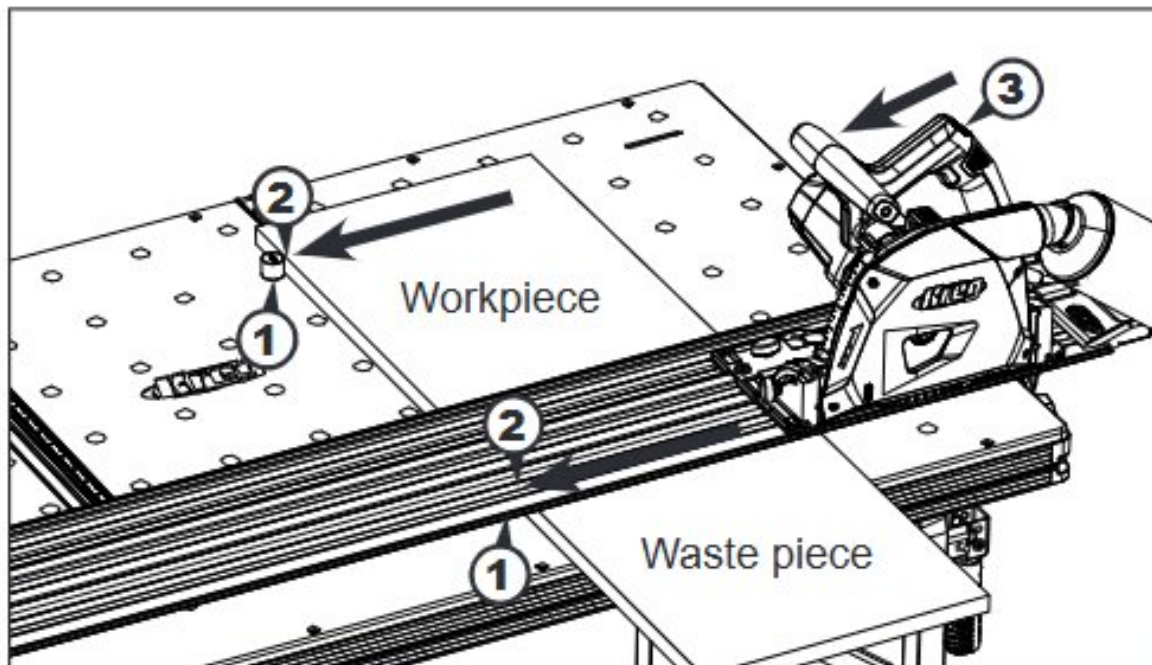
MAKING 90° CUTS

- (1) Position two Versa-Stops in a row of holes perpendicular to the guide track and as far apart as the workpiece allows.

⚠ ATTENTION: For workpieces $\frac{1}{4}$ " or thicker, one short Versa-Stop should be placed under the guide track as close to the cut line as possible.

- (2) Place the edge of workpiece against the Versa-Stops and under guide track.
- (3) Lower guide track onto workpiece and make the cut.

⚠ ATTENTION: Using the instructions for 90° cuts, verify the calibration of the table-track rulers by setting a Repetitive Stop at the 10" mark and cutting a test workpiece. (See **Repetitive Stops**.) Measure the workpiece and make any necessary adjustments to the track rulers.

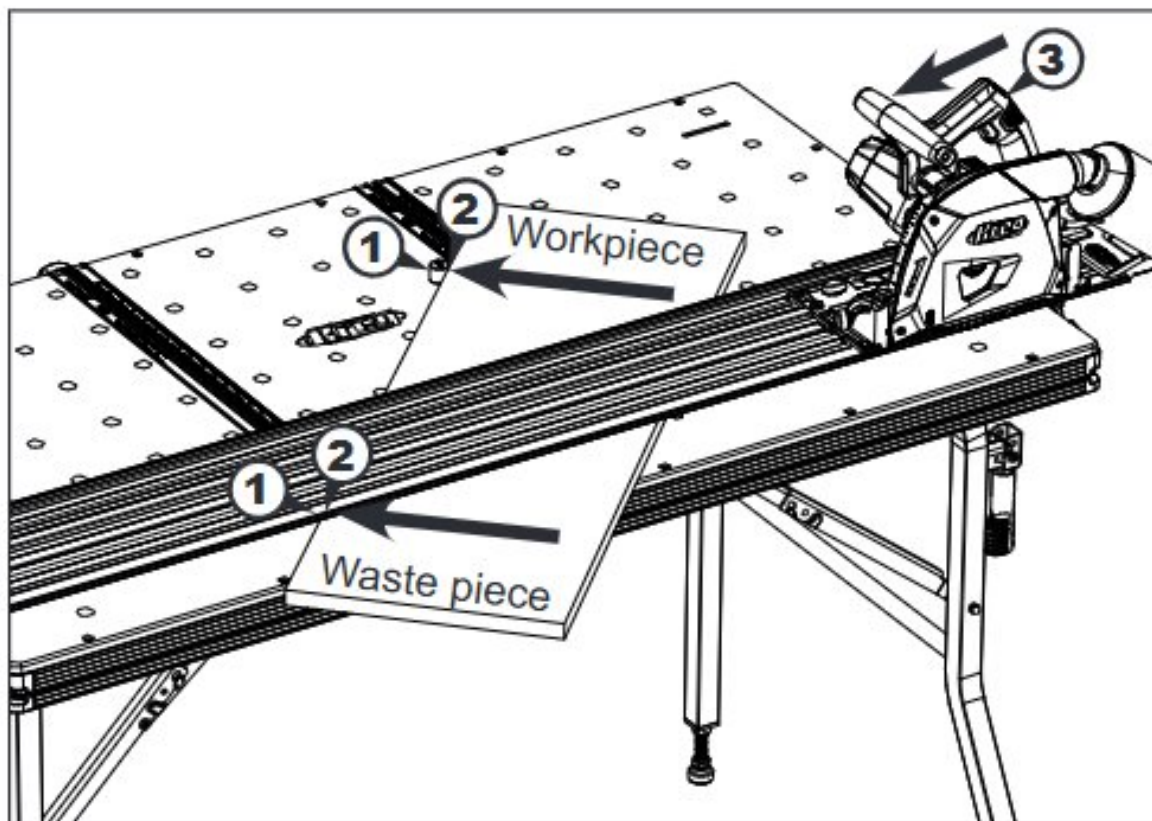


MAKING 45° CUTS

- (1) Position two Versa-Stops in a row of holes diagonal to the guide track and as far apart as the workpiece allows.

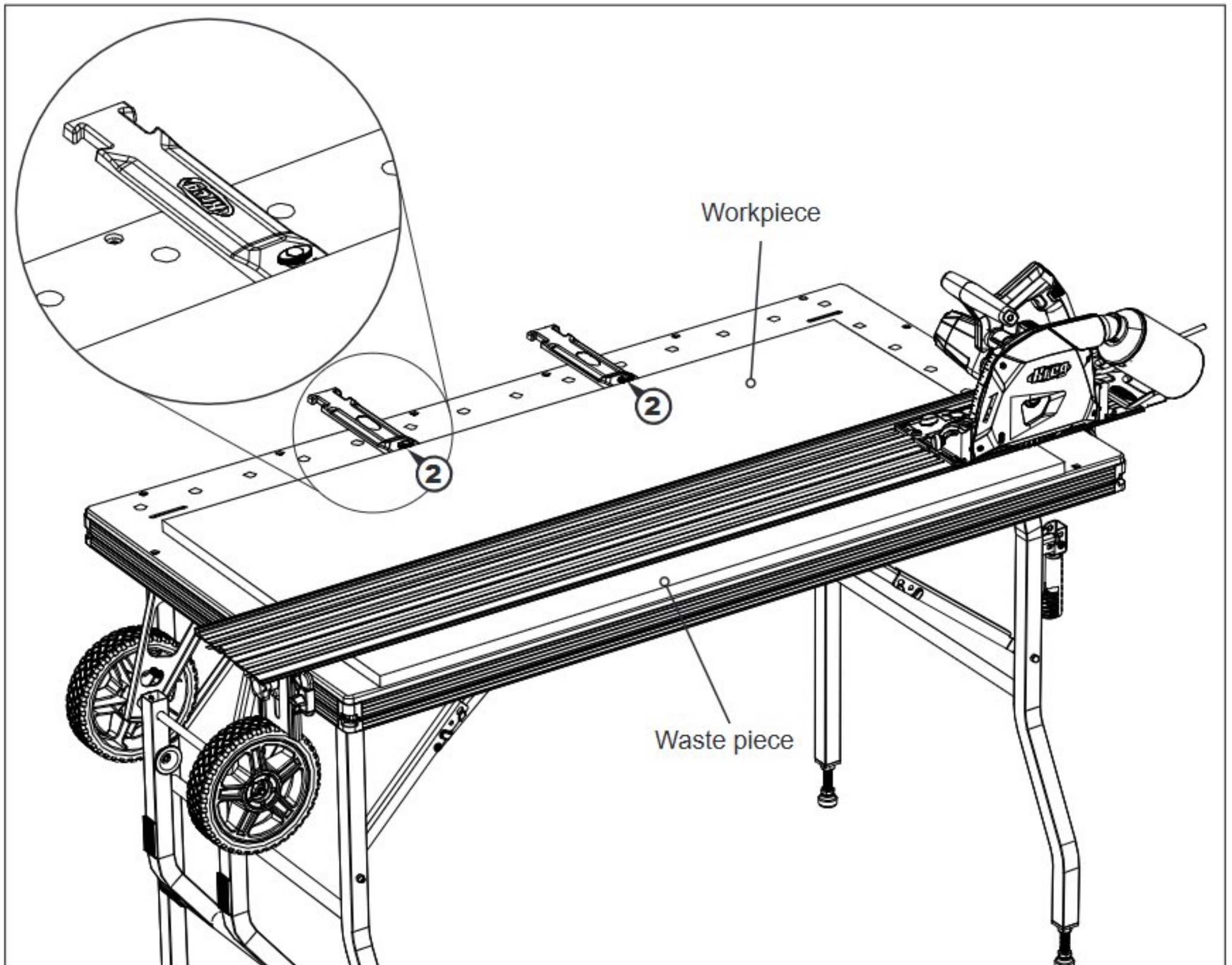
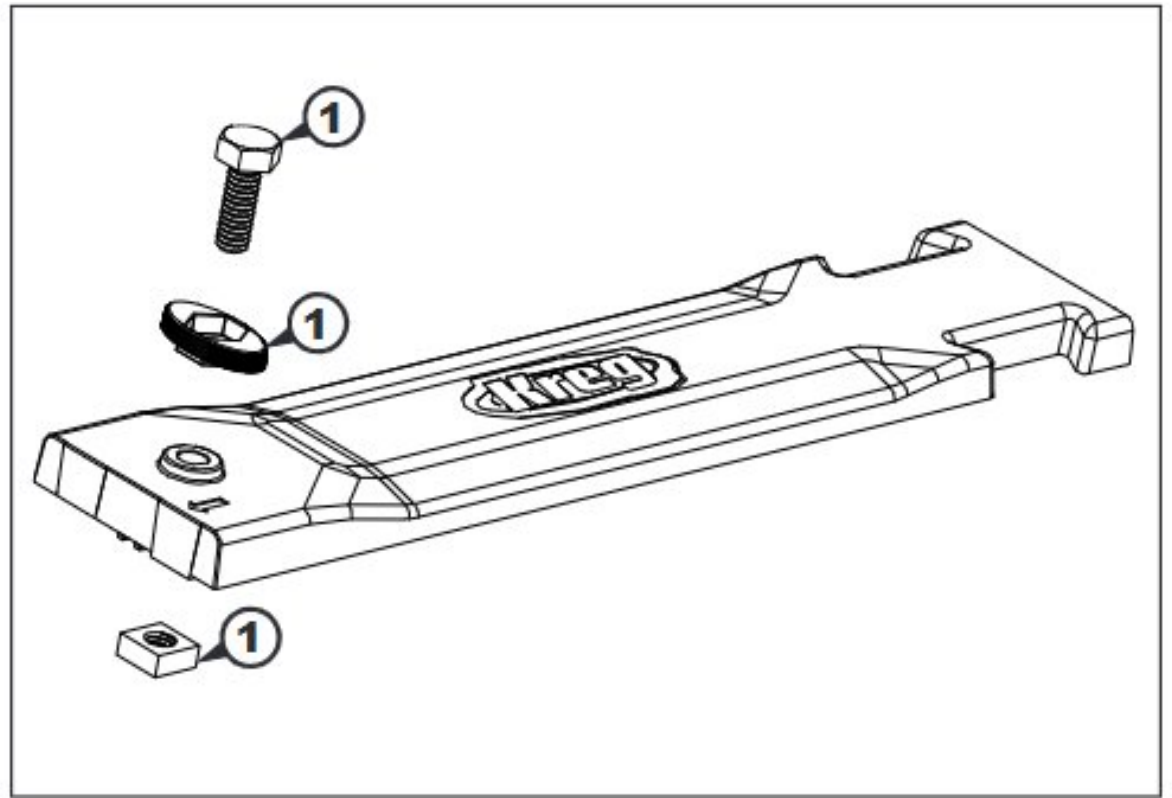
⚠ ATTENTION: For workpieces $\frac{1}{4}$ " or thicker, one short Versa-Stop should be placed under the guide track as close to the cut line as possible.

- (2) Place the edge of workpiece against the Versa-Stops and under track.
- (3) Lower the track onto workpiece and make the cut.



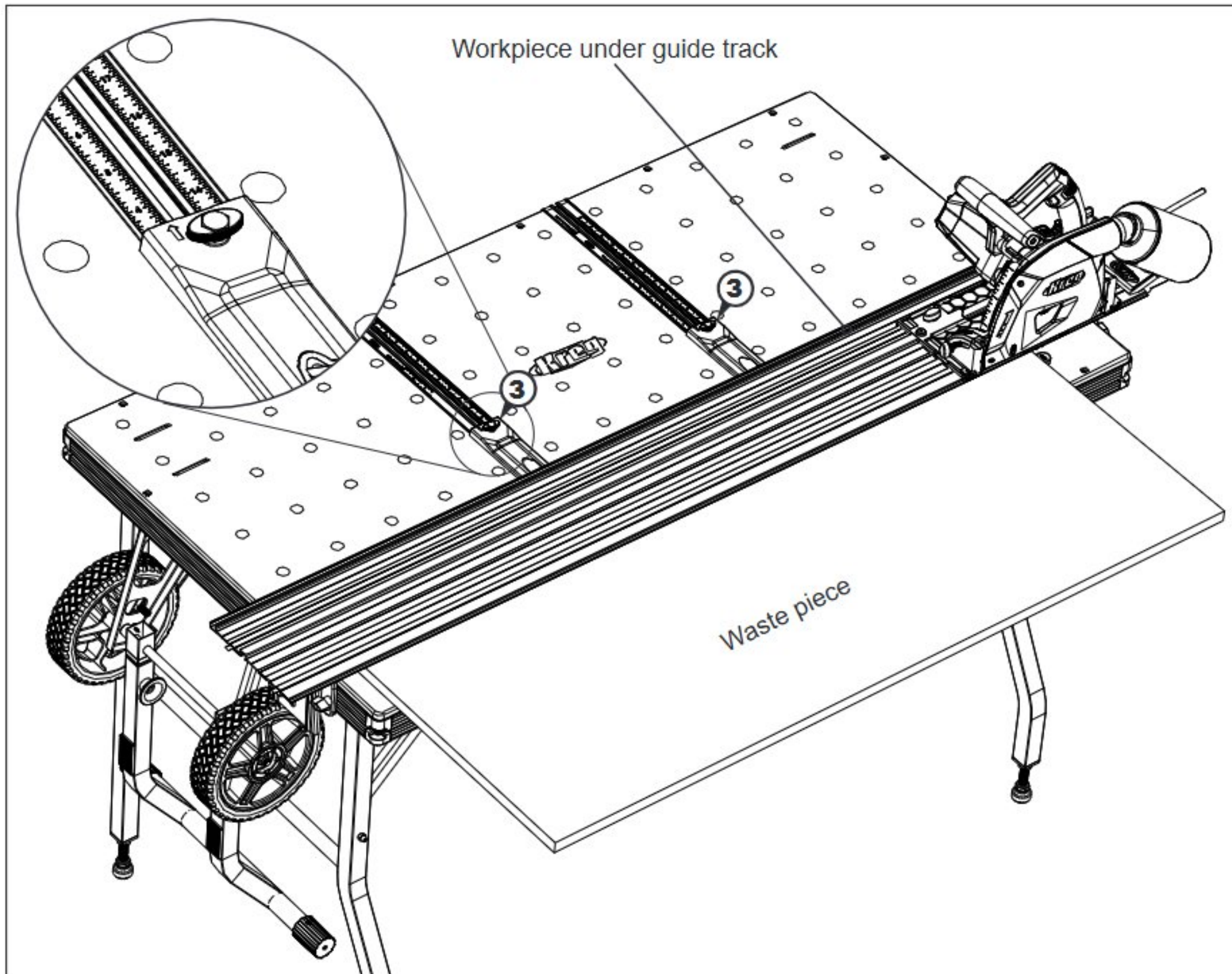
REPETITIVE STOPS

- (1) Install black hex head bolt, knob, and square nuts in the Repetitive Stops. Tighten the assemblies to draw the bolt heads into the knob, and then loosen them $\frac{1}{2}$ -1 turn. Slide the square nuts into the table-track T-slots.



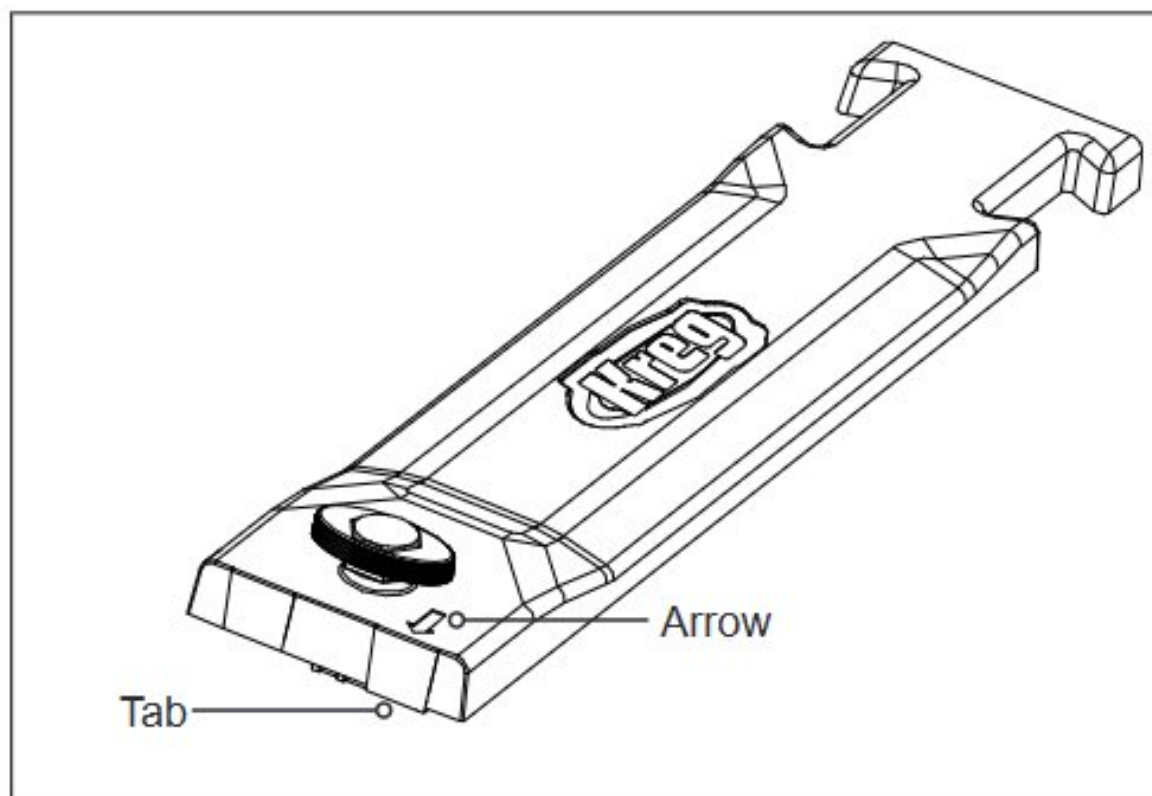
- (2) For cuts 8" to 25" wide, orient the stop with knob at the front and align the knob end of the stop with the desired cut dimension on the primary ruler.

REPETITIVE STOPS



- (3) For cuts 1" to 8" wide, orient the stop with the knob at the rear and align the knob end with the desired dimension on the secondary ruler. For cuts less than 7" wide, the ends of the stops extend under the guide track.

⚠ ATTENTION: Regardless of the orientation of the Repetitive Stop, always align the tab on the end of the stop indicated by the arrow with the dimension on the primary or secondary ruler. The tab always indicates the dimension on the correct ruler.



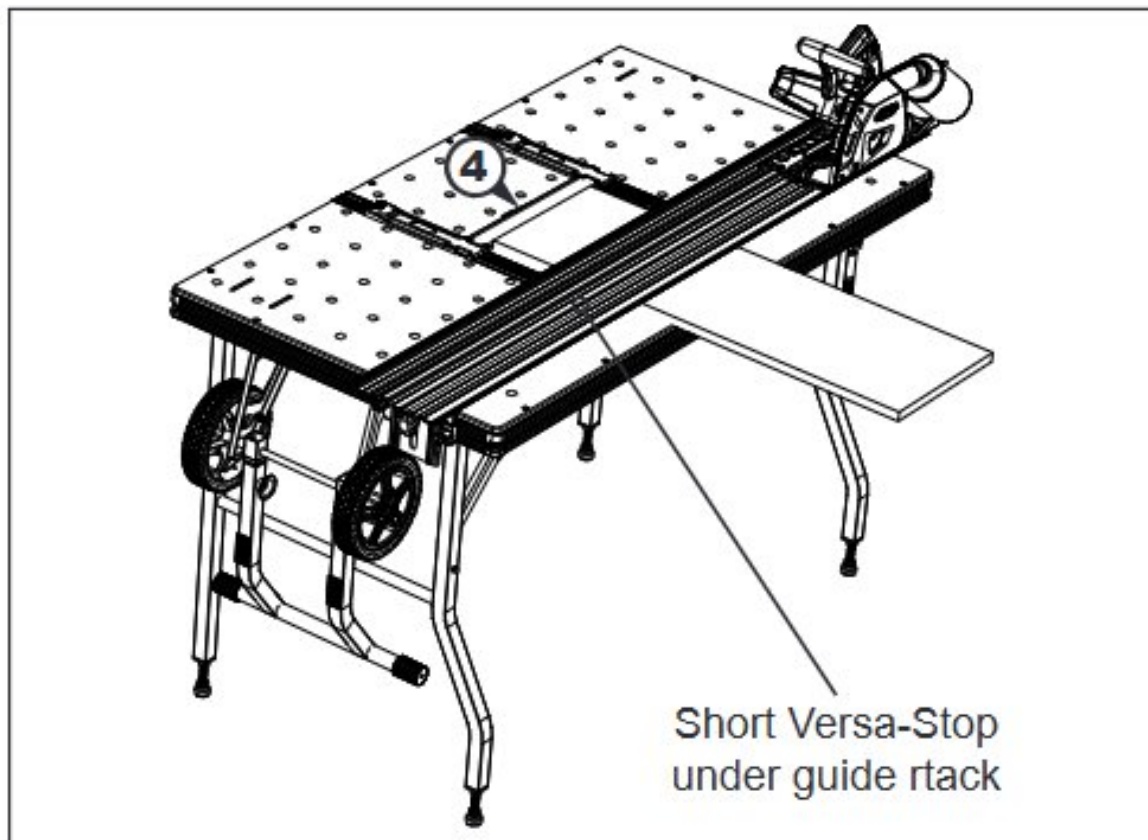
REPETITIVE STOPS

- (4) When cutting short workpieces, install the joining bar between the Repetitive Stops. Use the rulers to position each stop. Do not depend on the joining bar to align the stops. When adjusting the position of the joined stops, move both simultaneously to prevent binding.

⚠ ATTENTION: The dovetail pins on the ends of the joining bar and the slots in the stop bodies are tapered. Install and remove the joining bar from the top.

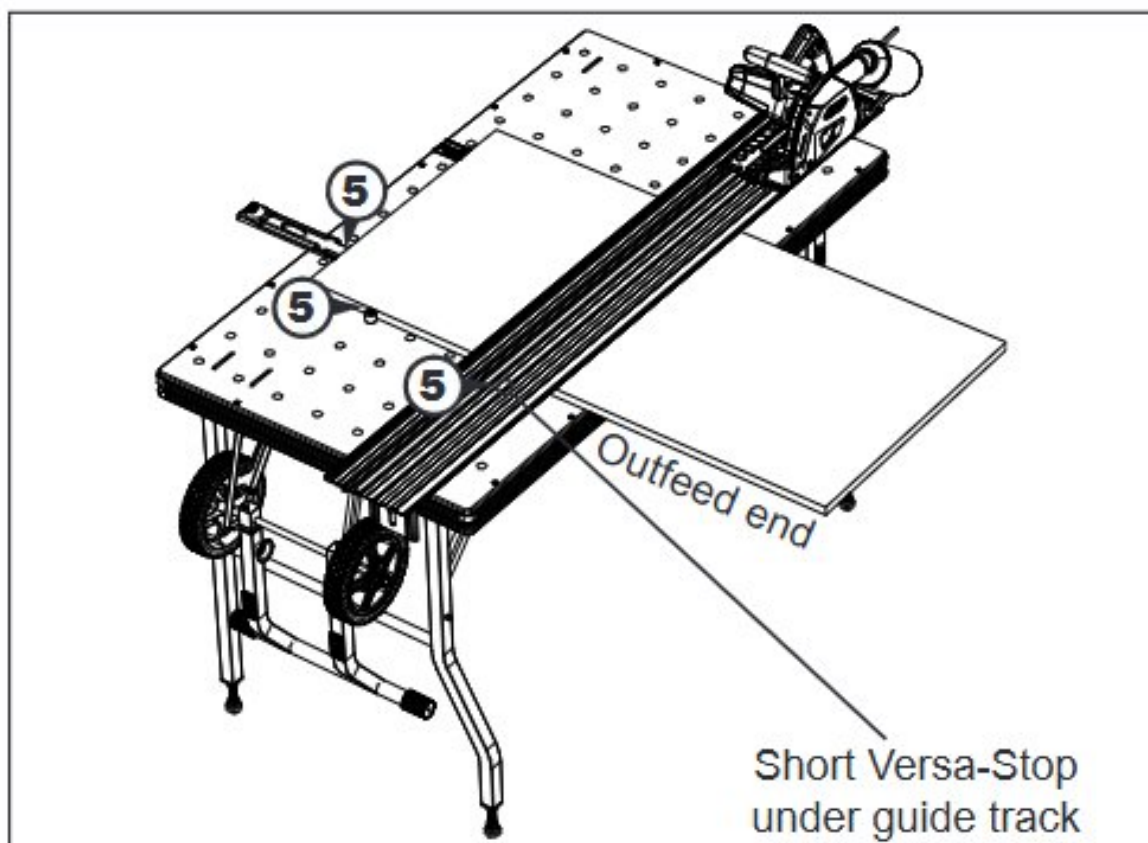
⚠ ATTENTION: Use the joining bar to support workpieces 3" to 16" long. Support the guide track with scrap the same thickness as the workpiece when cutting pieces less than 16" long or less than 5" wide.

⚠ ATTENTION: When making cuts less than 1" wide, support the guide track with scrap stock the same thickness as the workpiece to keep the track from tipping or deflecting and exercise caution while cutting. Do not attempt to cut a workpiece less than 3" long.



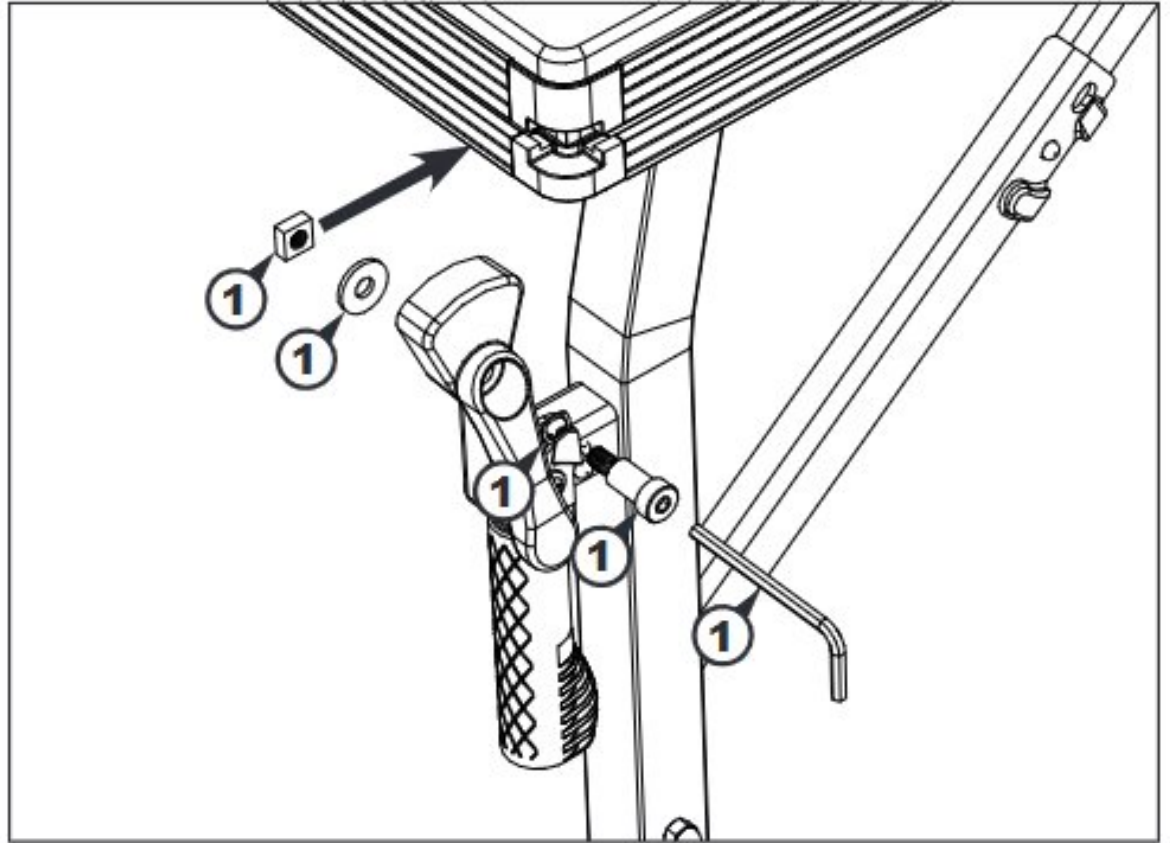
- (5) When cutting, always have three points of support, using two Repetitive Stops plus one Versa-Stop or one Repetitive Stop plus two Versa-stops. Always position at least one Versa-Stop at the outfeed end of the workpiece to counter forward pressure exerted by the saw.

⚠ ATTENTION: For large workpieces, use two wide-set Versa-Stops to align the workpiece as you slide it under the track.



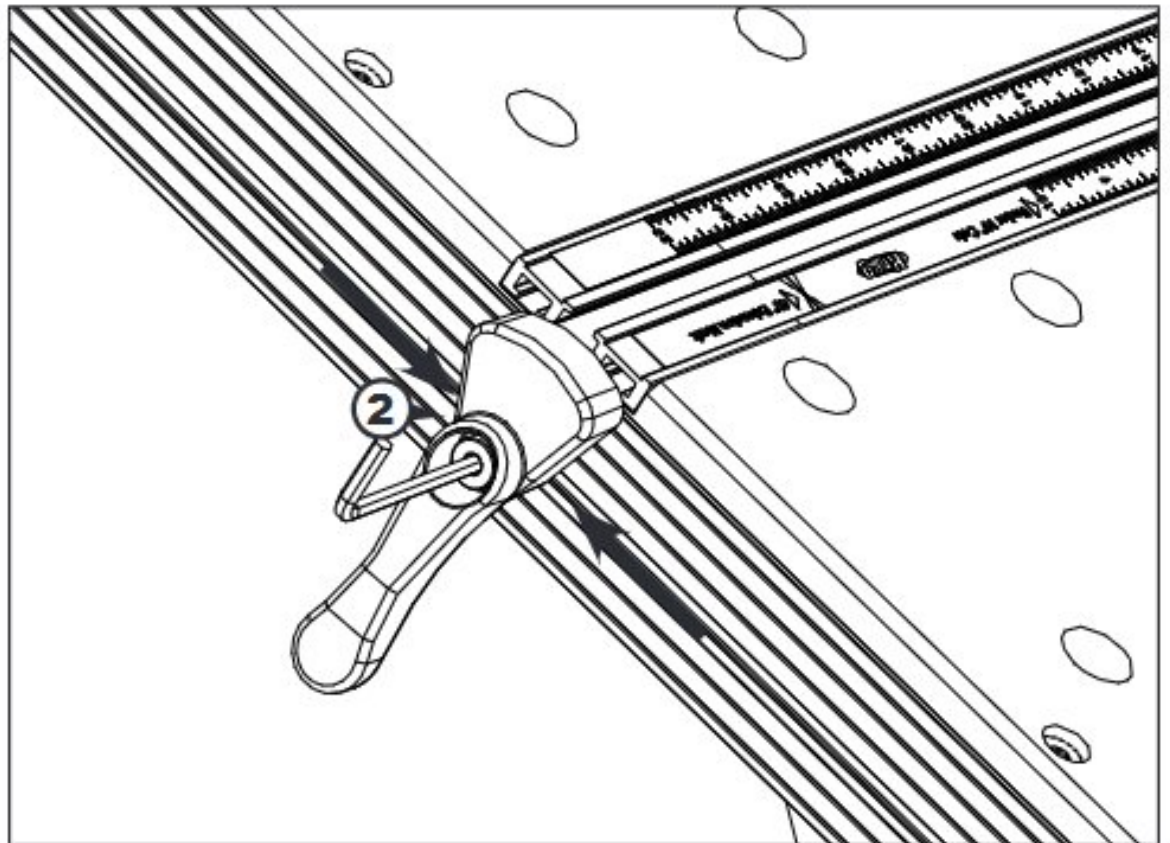
48" EXTENSION STOP

- (1) Assemble the shoulder bolt, wave washer, cam handle, washer, and T-nut with the provided hex wrench and slide the nut into the table perimeter-track T-slot.



- (2) With the cam handle vertical, center it under the table-track T-slot and tighten the bolt.

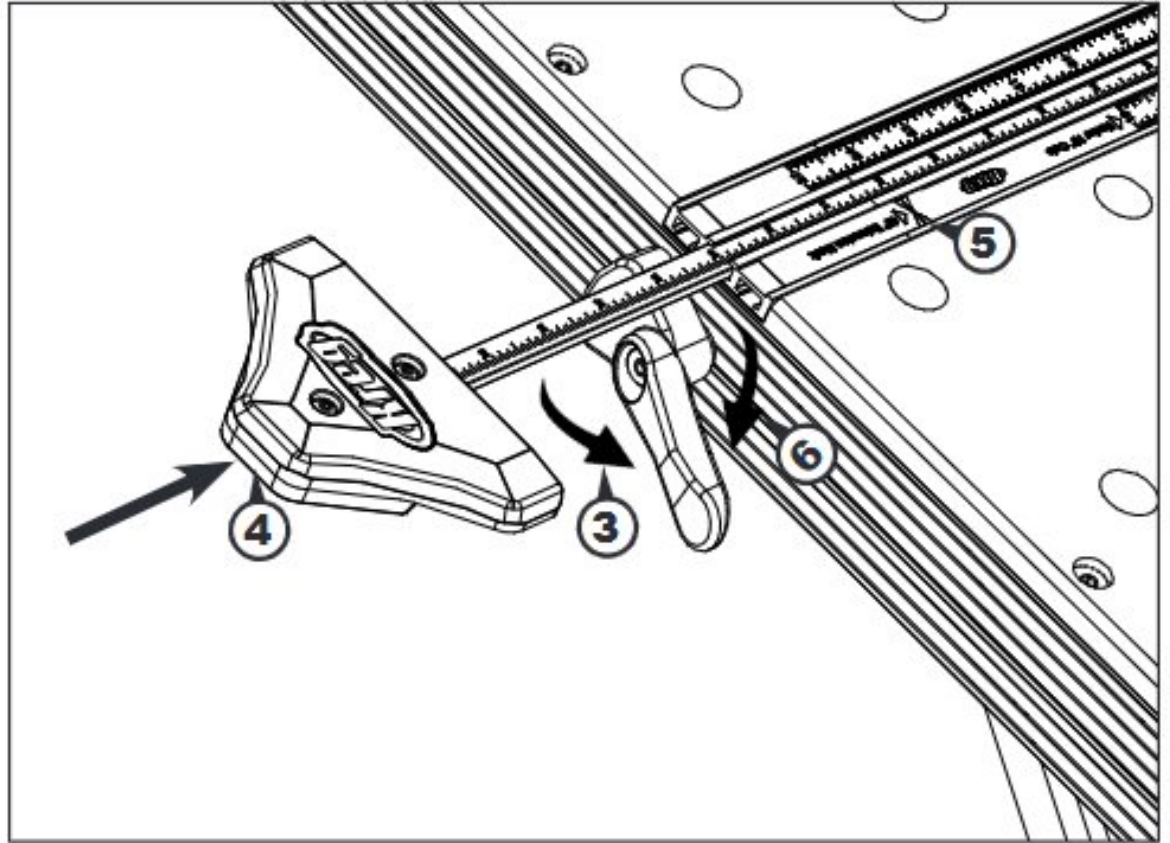
⚠ ATTENTION: Always use the table track as close to the infeed end of the table as the workpiece allows.



48" EXTENSION STOP

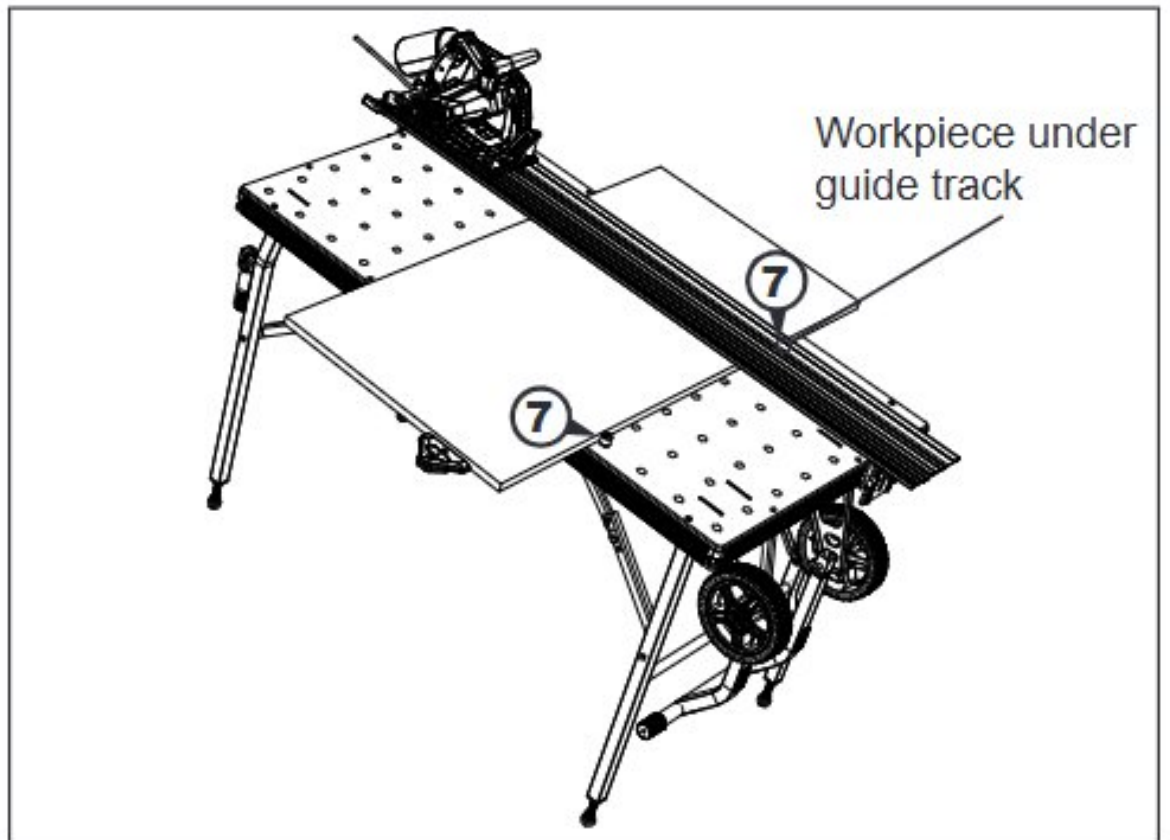
- (3) Rotate the cam handle to one side.
- (4) Slide the extension bar into the T-slot.
- (5) Align the desired dimension on the 48" Extension Stop bar with the 48" Extension Stop mark on the table-track secondary ruler.
- (6) Rotate the cam handle to lock the stop in place.

⚠ ATTENTION: Only rotate the cam handle enough to lock the bar. It does not have to be in the vertical position.



- (7) Install two Versa Stops on the outfeed edge of the workpiece to keep it from shifting and make the cut.

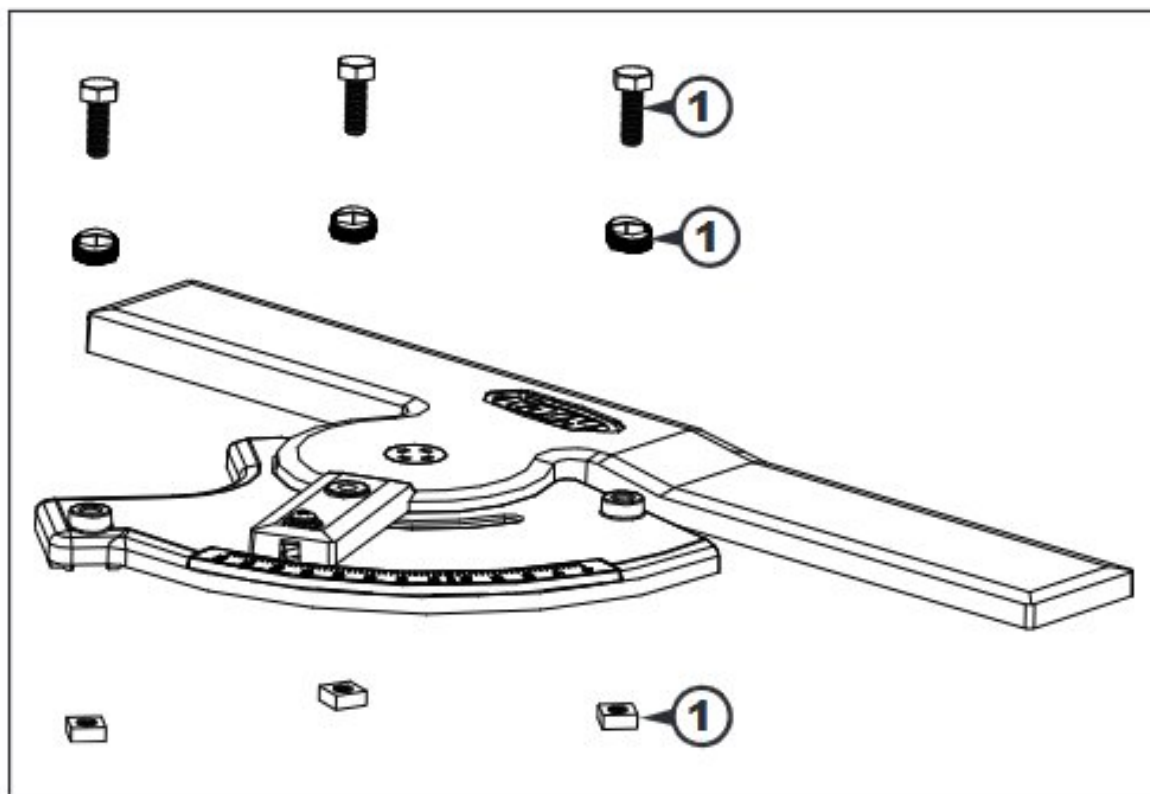
⚠ ATTENTION: When positioning a workpiece, always push it against the Versa-Stops first and then slide it sideways until it touches the 48" Extension. The Versa-Stops withstand substantial pressure, the extension does not.



MITER GUIDE

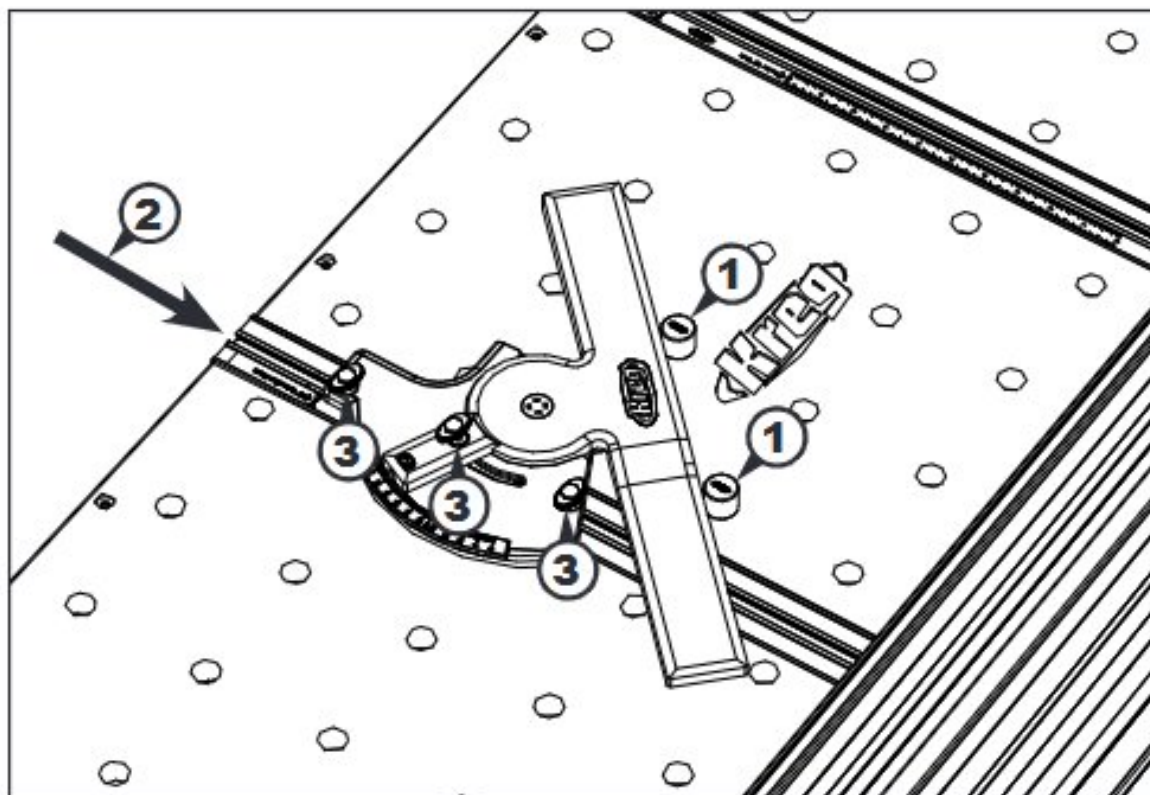
Assembly

- (1) Install three black hex head bolts, knobs, and square nuts in the guide. Tighten the assemblies to draw the bolt heads into the knobs and then loosen them $\frac{1}{2}$ -1 turn.

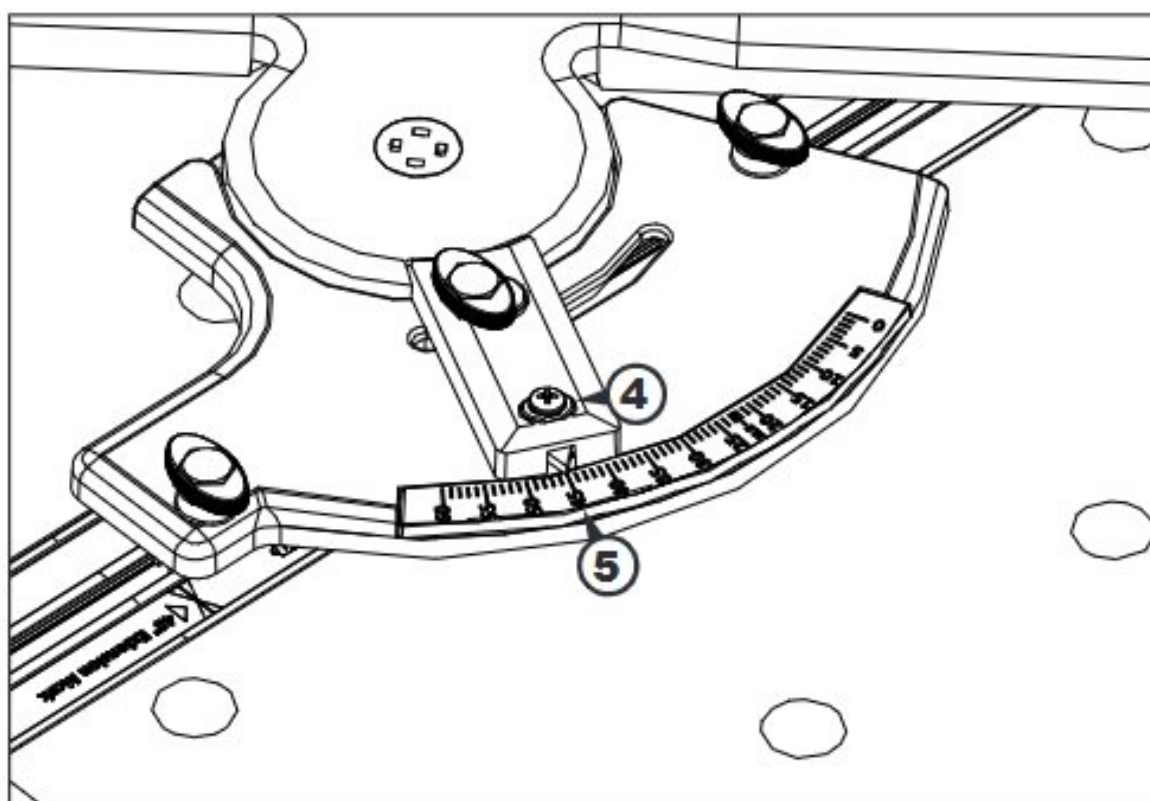


Calibration

- (1) Position two Versa-Stops in a 45° diagonal row of holes.
- (2) With the adjustable fence facing the infeed end of the table, slide the two base-anchoring square nuts into a table-track T-slot until the fence contacts both Versa-Stops.
- (3) Hold the guide in place and tighten all three knobs.



- (4) Loosen the pointer screw using a Phillips screwdriver.
- (5) Align the pointer with the 45° mark on the angle scale. Firmly hold the pointer in position of alignment and retighten the screw.



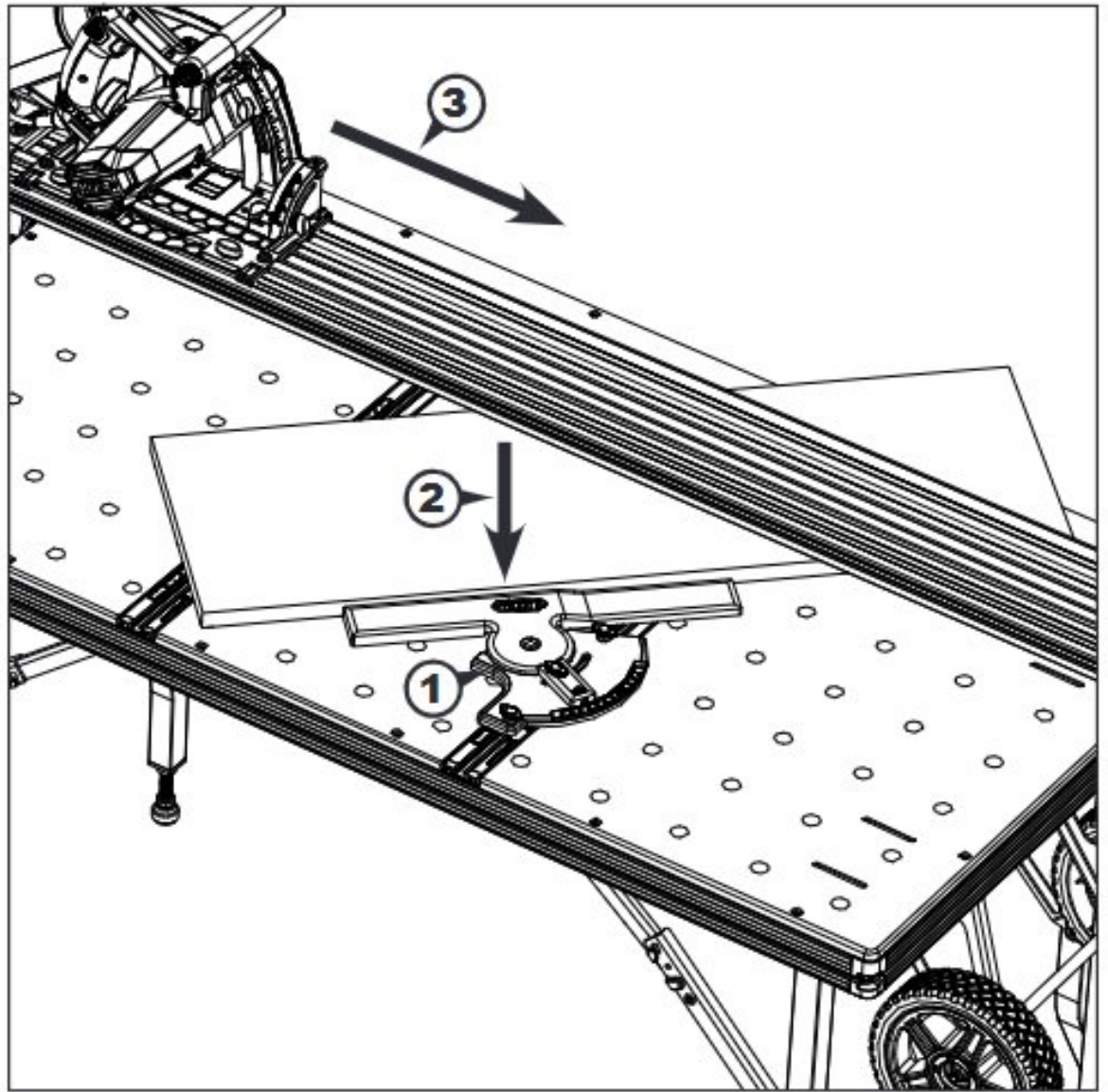
MITER GUIDE

Using the Miter Guide

- (1) Install the Miter Guide in the table track with the adjustable fence facing the infeed end of the table. The width of the workpiece determines which track to use. Position the Miter Guide as close as possible to the guide track.
- (2) Position the workpiece under the guide track and against the Miter Guide fence. Apply moderate pressure to the center of the Miter Guide to avoid deflecting the fence.
- (3) Lower the guide track onto workpiece and make the cut.

⚠ ATTENTION: Always position the Miter Guide so cutting pressure is toward, not away from, the guide.

⚠ ATTENTION: For best results when making 90° and 45° cuts, do not use the Miter Guide. Position the workpiece with Versa-Stops. (See Versa-Stops.)

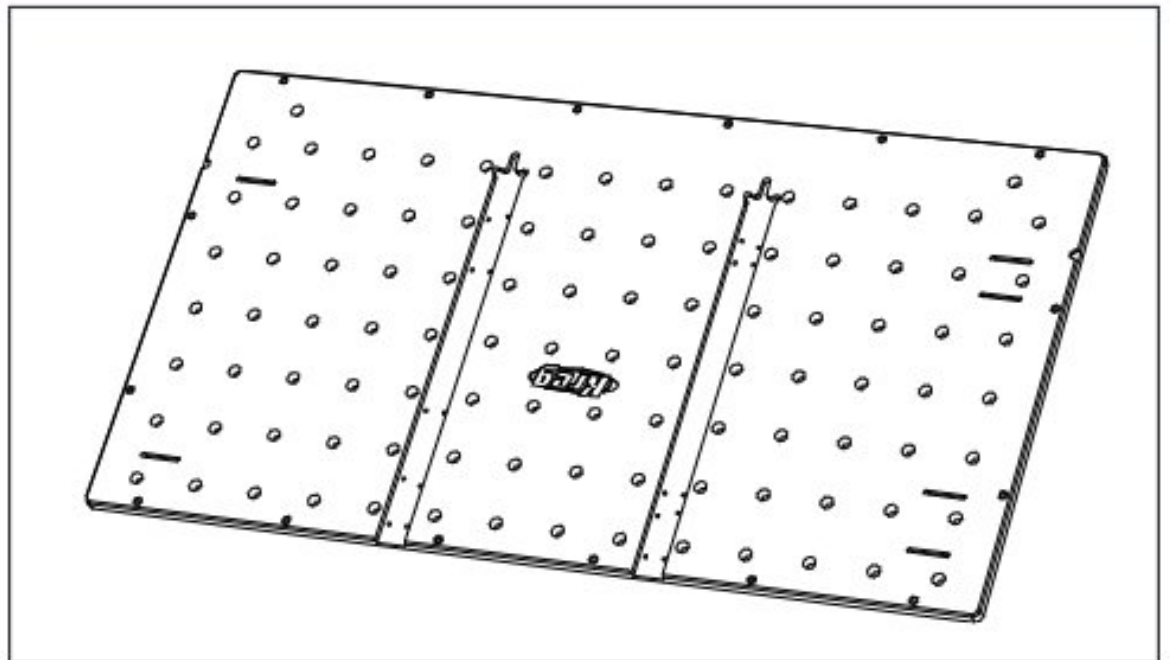


REPLACEMENT PART

ACS Project Table Replacement Top

Replace a worn or damaged work surface with a new precision-machined table top.

Contact ACS dealers, Kreg Customer Service, or visit Kregtool.com



TELL US ABOUT YOUR EXPERIENCE. YOUR OPINION COUNTS.

We're always working to improve Kreg® products and your satisfaction with them so that you have great project-building experiences. You can help by sharing your feedback at www.kregtool.com/feedback. It only takes a couple of minutes, and will help us to create products and support that serve your needs better.

CONSIGNES GÉNÉRALES DE SÉCURITÉ

⚠ AVERTISSEMENT Lisez tous les avertissements, instructions, illustrations et spécifications fournis avec cet article. Le non-respect des consignes de sécurité ci-dessous peut entraîner un choc électrique, un incendie ou des blessures graves.
CONSERVEZ TOUS LES AVERTISSEMENTS ET TOUTES LES INSTRUCTIONS AFIN DE POUVOIR LES CONSULTER ULTÉRIEUREMENT.

L'expression « outil électrique » utilisée dans les avertissements correspond aux outils électriques alimentés sur secteur (à fil) ou alimentés par piles (sans fil).

REMARQUE : « Alimentation sur secteur » est le terme officiel d'UL pour désigner « l'alimentation électrique principale », soit l'alimentation du réseau électrique qui est fournie au client et qui est accessible par l'intermédiaire d'une prise murale.

1) Mesures de sécurité dans l'aire de travail

- a) L'aire de travail doit être propre et bien éclairée. Une aire de travail encombrée ou peu éclairée augmente le risque d'accident.
- b) N'utilisez pas d'outils électriques dans un milieu explosif, par exemple où il y a présence de liquides, de vapeurs ou de poussières inflammables. Les outils électriques produisent des étincelles pouvant causer un incendie en raison de la poussière et des vapeurs.
- c) Gardez les enfants et les autres personnes à l'écart lorsque vous utilisez un outil électrique. Une distraction peut vous faire perdre la maîtrise de l'outil.

2) Consignes de sécurité relatives à l'électricité

- a) Les fiches des outils électriques doivent correspondre à la prise. Ne modifiez jamais la fiche de quelque façon que ce soit. N'utilisez pas d'adaptateur avec les outils électriques mis à la terre. L'utilisation de fiches non modifiées dans les prises compatibles réduit les risques de choc électrique.
- b) Évitez tout contact du corps avec des surfaces mises à la terre, comme des tuyaux, des radiateurs, des cuisinières et des réfrigérateurs. Le contact du corps avec une surface mise à la terre augmente les risques de choc électrique.
- c) N'exposez pas les outils électriques à la pluie ni à tout autre environnement humide. L'infiltration d'eau dans un outil électrique augmente les risques de choc électrique.
- d) N'utilisez pas le cordon d'alimentation de façon abusive. Ne transportez jamais un outil électrique en le tenant par son cordon, et ne tirez jamais sur le cordon pour le débrancher. Tenez le cordon d'alimentation éloigné des sources de chaleur, de l'huile, des objets coupants et des pièces mobiles. Les risques de choc électrique sont plus élevés si le cordon d'alimentation est endommagé ou emmêlé.
- e) Lorsque vous utilisez un outil électrique à l'extérieur, servez-vous d'une rallonge conçue pour être utilisée à l'extérieur. Ce type de rallonge réduit les risques de choc électrique.
- f) Si vous n'avez d'autres choix que d'utiliser un outil électrique dans un endroit humide, utilisez une alimentation protégée par un disjoncteur différentiel. L'utilisation d'un disjoncteur différentiel réduit les risques de choc électrique.

3) Sécurité personnelle

- a) Soyez vigilant, prêtez attention à ce que vous faites et usez de votre jugement lorsque vous utilisez un outil électrique. N'utilisez pas un outil électrique lorsque vous êtes fatigué ou sous l'effet de drogues, d'alcool ou de médicaments. Un moment d'inattention lorsque vous utilisez des outils électriques peut occasionner des blessures graves.
- b) Portez de l'équipement de protection individuelle. Portez toujours des lunettes de sécurité. Le port d'équipement de protection, comme un masque antipoussières, des chaussures de sécurité antidérapantes, un casque de protection et des protecteurs auditifs, lorsque les conditions l'exigent, réduit les risques de blessures.
- c) Évitez de mettre l'outil en marche accidentellement. Assurez-vous que l'interrupteur est sur la position d'arrêt avant de brancher l'outil sur une source d'alimentation ou un bloc-piles, de ramasser l'outil ou de le transporter. Transporter les outils électriques avec le doigt sur l'interrupteur ou brancher les outils lorsque l'interrupteur est en position de marche augmente les risques d'accident.

d) Avant de mettre l'outil électrique en marche, retirez les clés qui y sont fixées. Une clé de réglage oubliée sur une pièce rotative de l'outil électrique peut occasionner des blessures graves.

- e) Ne vous étirez pas pour étendre votre portée. Gardez une posture sécuritaire et un bon équilibre en tout temps. Cela vous permet de mieux maîtriser l'outil électrique lorsque des situations inattendues se présentent.
- f) Habillez-vous convenablement. Ne portez pas de vêtements amples ni de bijoux. Gardez vos cheveux, vos vêtements et vos gants loin des pièces mobiles. Les vêtements amples, les bijoux et les cheveux longs risquent de se prendre dans les pièces en mouvement.
- g) Si un dispositif permet de raccorder un dépoussiéreur, assurez-vous que celui-ci est branché et utilisé correctement. L'emploi d'un dépoussiéreur contribue à réduire les dangers liés à la poussière.
- h) Restez toujours sur vos gardes et suivez les principes de sécurité des outils, même s'il s'agit d'un outil que vous utilisez fréquemment. Il suffit d'être négligent une fraction de seconde pour se blesser gravement.

4) Utilisation et entretien d'un outil électrique

- a) Ne forcez pas l'outil électrique. Utilisez l'outil électrique approprié à la tâche que vous souhaitez accomplir. L'utilisation de l'outil électrique approprié permet d'obtenir de meilleurs résultats, de façon plus sécuritaire, selon le régime de fonctionnement prévu.
- b) N'utilisez pas l'outil électrique si l'interrupteur ne fonctionne pas. Tout outil électrique qui ne peut être commandé au moyen de l'interrupteur est dangereux et doit être réparé.
- c) Débranchez la fiche de la prise ou retirez, si possible, le bloc-piles de l'outil électrique avant d'effectuer des réglages, de changer d'accessoire ou de ranger l'outil. De telles mesures de sécurité préventives réduisent les risques de mettre accidentellement l'outil électrique en marche.
- d) Rangez les outils électriques inutilisés hors de la portée des enfants et ne laissez pas les personnes ne connaissant pas bien l'outil ou ces instructions utiliser l'outil. Les outils électriques sont dangereux s'ils se retrouvent entre les mains d'utilisateurs qui ne savent pas s'en servir.
- e) Entretenez vos outils électriques et vos accessoires. Vérifiez les pièces mobiles pour vous assurer qu'elles ne sont pas désalignées, enrayées, brisées ou dans tout autre état qui pourrait nuire à leur fonctionnement. Si l'outil électrique est endommagé, faites-le réparer avant de l'utiliser. De nombreux accidents sont provoqués par des outils électriques mal entretenus.
- f) Gardez vos outils tranchants affûtés et propres. Des outils tranchants bien entretenus dont les lames sont affûtées risquent moins de se bloquer et sont plus faciles à maîtriser.
- g) Les poignées et autres surfaces de préhension doivent toujours être sèches, propres et exemptes d'huile ou de graisse. Les poignées et autres surfaces de préhension glissantes ne permettent pas de manipuler ni de contrôler l'outil de façon sécuritaire en cas de situations inattendues.

5) Réparation

- a) Demandez à un technicien qualifié qui utilise seulement des pièces de rechange identiques aux pièces d'origine d'effectuer l'entretien de votre outil électrique. Vous vous assurez ainsi de respecter les consignes de sécurité de l'outil électrique.

CONSIGNES GÉNÉRALES DE SÉCURITÉ

6) CONSIGNES DE SÉCURITÉ PROPRES À L'UTILISATION DE LA TABLE DE TRAVAIL ACS1000

- a) La table de travail est uniquement conçue pour être utilisée avec la scie Kreg (article #KPS6512) incluse avec la scie plongeante (article #ACS-SAW) de l'ensemble de scie plongeante et de guide sur rail (article #ACS2000) et de l'ensemble principal (article #ACS3000). Avant d'utiliser cet article, assurez-vous de lire, de comprendre et de suivre les instructions et les consignes de sécurité incluses avec la scie.
- b) Réglez toujours la hauteur du guide sur rail en fonction de l'épaisseur de la pièce à travailler.
- c) Lorsque la pièce à travailler a moins de 101,6 mm (4 po) de largeur, soutenez le guide sur rail avec des retailles de la même épaisseur que la pièce à travailler pour empêcher le rail de basculer.
- d) Réglez la profondeur de coupe selon l'épaisseur de la pièce à travailler. Les dents de la lame ne devraient pas dépasser de la pièce à travailler de plus de 6,35 mm.
- e) Lorsque vous coupez une pièce et que la section de retaille qui dépasse de la table est plus grande que la section de la pièce qui est appuyée sur la table, ou que la retaille dépasse de plus de 30,48 cm du bord de la table, soutenez la section de retaille en ajoutant un appui le long de la table et au bout de la retaille. Une grosse retaille non soutenue peut faire basculer le guide sur rail ou la table.

Instructions pour l'utilisation des rallonges

Les rallonges ne servent qu'à un usage temporaire. Elles ne remplacent pas la nécessité d'installer des prises ni d'effectuer le câblage, au besoin.

Dans votre zone de travail :

1. Utilisez des rallonges munies d'un conducteur de mise à la terre en tout temps.
2. Protégez les rallonges contre les dommages. Ne les faites pas passer par les portes ou les fenêtres, car celles-ci pourraient se refermer et endommager les rallonges.
3. Choisissez des rallonges d'un calibre minimal de 16 AWG qui conviennent aux outils que vous utilisez.
4. Inspectez périodiquement les rallonges afin de vous assurer que les fils sont bien isolés et que leur conductivité n'est pas compromise.
5. Ne faites pas passer de rallonges dans l'eau et ne les raccordez pas dans des endroits où de l'eau pourrait s'accumuler.

TABEAU 1















Plaque signalétique Ampères à 120 V	Longueur de la rallonge					
	25'	50'	75'	100'	150'	200'
	Calibre de câble recommandé					
0-5	16	16	16	14	12	12
5.1-8	16	16	14	12	10	NR
8.1-12	14	14	12	10	NR	NR
12.1-16	12	12	NR	NR	NR	NR

NR : non recommandé







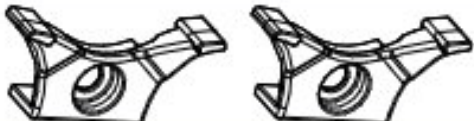








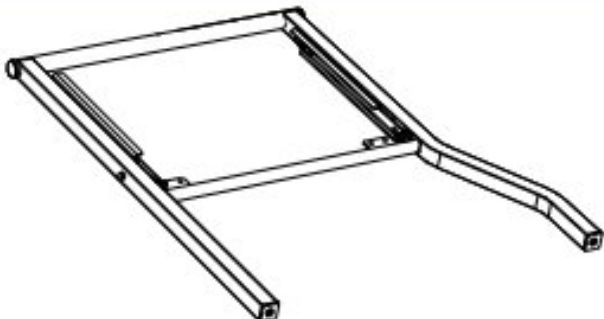
AVERTISSEMENT : Cet article peut vous exposer à des produits chimiques, notamment à l'acrylonitrile et à d'autres produits chimiques reconnus par l'État de la Californie comme étant la cause de cancers et de problèmes liés aux fonctions reproductrices. Pour plus de renseignements, rendez-vous au www.P65Warnings.ca.gov.

AVERTISSEMENT : Le perçage, le sciage, le ponçage et l'usinage des produits en bois peuvent vous exposer à de la poussière de bois, une substance reconnue par l'État de la Californie comme étant la cause de cancers. Évitez d'inhaler la poussière de bois ou utilisez un masque antipoussières ou d'autres mesures de sécurité pour vous protéger. Pour plus de renseignements, rendez-vous au www.P65Warnings.ca.gov/wood.

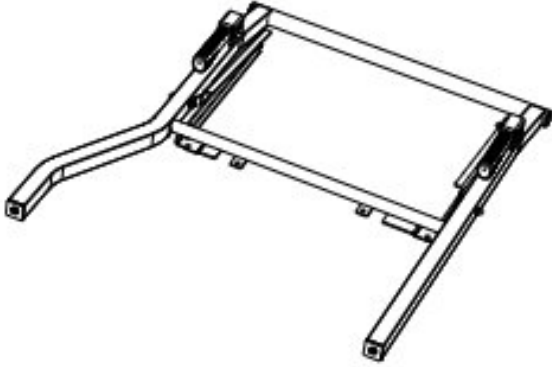
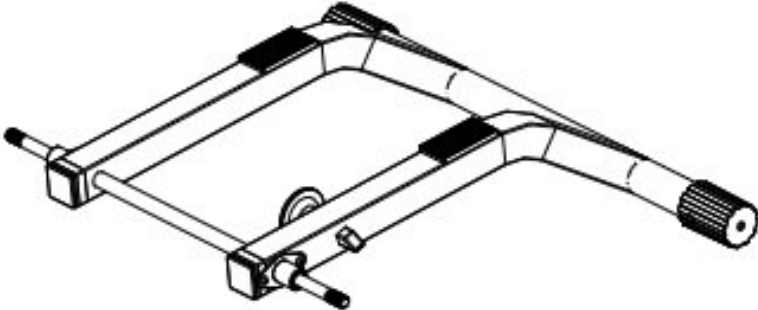
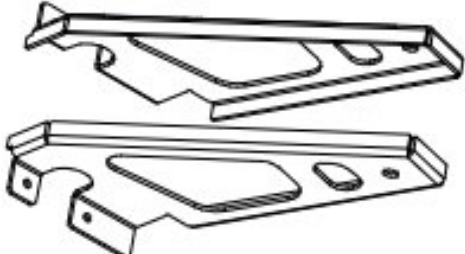





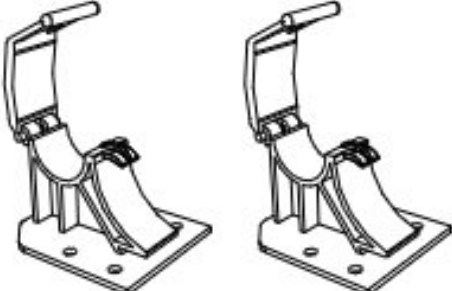


CONTENU DE L'EMBALLAGE

ARTICLE	DESCRIPTION	QUANTITÉ
TABLE DE TRAVAIL – PLATEAU		
	Manuel	1
	Étiquette d'instructions pour la configuration/le rangement	1
	Plateau de la table de travail	1
PLATEAU À ACCESSOIRES		
	Butées polyvalentes longues	2
	Butées polyvalentes courtes	2
	Butées répétitives	2
	Barre de raccord	1
	Butée extensible de 121,92 cm	1
	Poignée à came	1
	Guide d'onglet	1
BOÎTE 1		
	Charnières	2
BOÎTE 2		
	Plaques de montage des charnières	2
BOÎTE 3		
	Règles principales	2
	Règles secondaires	2

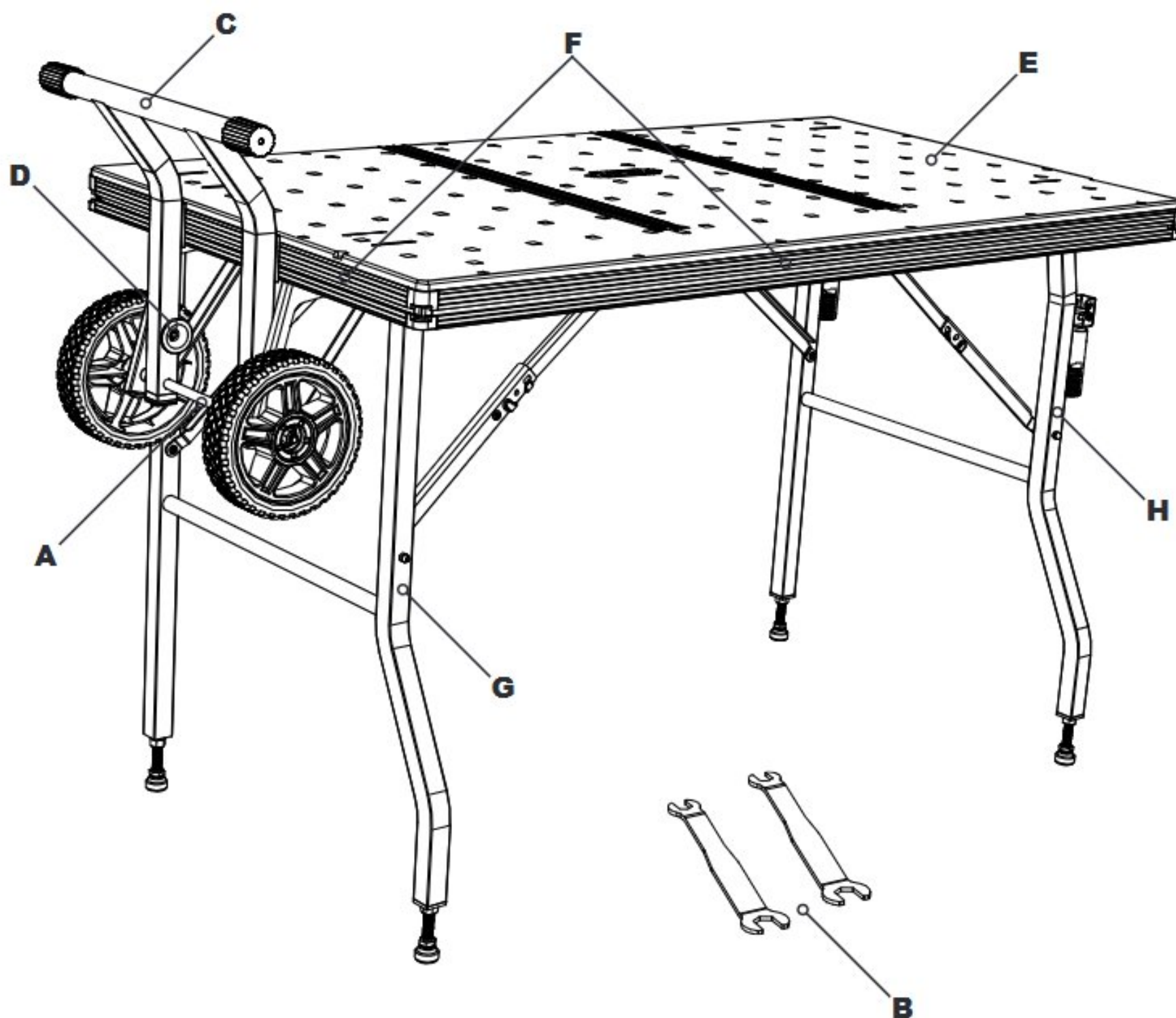
CONTENU DE L'EMBALLAGE

ARTICLE	DESCRIPTION	QUANTITÉ
SAC DE QUINCAILLERIE – TROUSSE DE QUINCAILLERIE POUR LA BUTÉE EXTENSIBLE DE 121,92 CM		
	Écrou carré	1
	Rondelle ondulée	1
	Boulon à épaulement	1
	Rondelle plate	1
SAC DE QUINCAILLERIE – TROUSSE DE QUINCAILLERIE POUR L'ASSEMBLAGE DES CHARNIÈRES		
	Boutons étoiles	2
	Boutons en T	4
	Supports de fixation des charnières	2
	Boulons à tête hexagonale en zinc	6
	Écrous pour fente en T	2
	Rondelles plates en laiton	2
	Vis d'assemblage	2
	Clé hexagonale	1
SAC DE QUINCAILLERIE DES BOUTONS		
	Boutons	5
	Boulons noirs à tête hexagonale	5
	Écrous carrés	5
TABLE DE TRAVAIL – BASE		
	Ensemble de pieds 1 (sans poignées)	1

CONTENU DE L'EMBALLAGE

ARTICLE	DESCRIPTION	QUANTITÉ
	Ensemble de pieds 2 (avec poignées)	1
	Ensemble de la béquille	1
TABLE DE TRAVAIL – BASE – SUITE		
	Supports de l'axe de roues	2
	Les meules	2
	Écrous de blocage à embase large	2
	Boulons en U	6
	Écrous de blocage à embase courte	28
	Brides de fixation des barres	4
	Dispositifs de retenue	2
	Patins	4
	Clés	2

PIÈCES POUR L'ASSEMBLAGE



#	Nom
A	Ensemble de roues
B	Clés
C	Béquille
D	Verrou de la béquille
E	Trous de fixation de la table de travail
F	Rail périphérique avec fente en T
G	Ensemble de pieds 1 (côté des roues)
H	Ensemble de pieds 2 (côté des poignées)

PIÈCES POUR L'ASSEMBLAGE



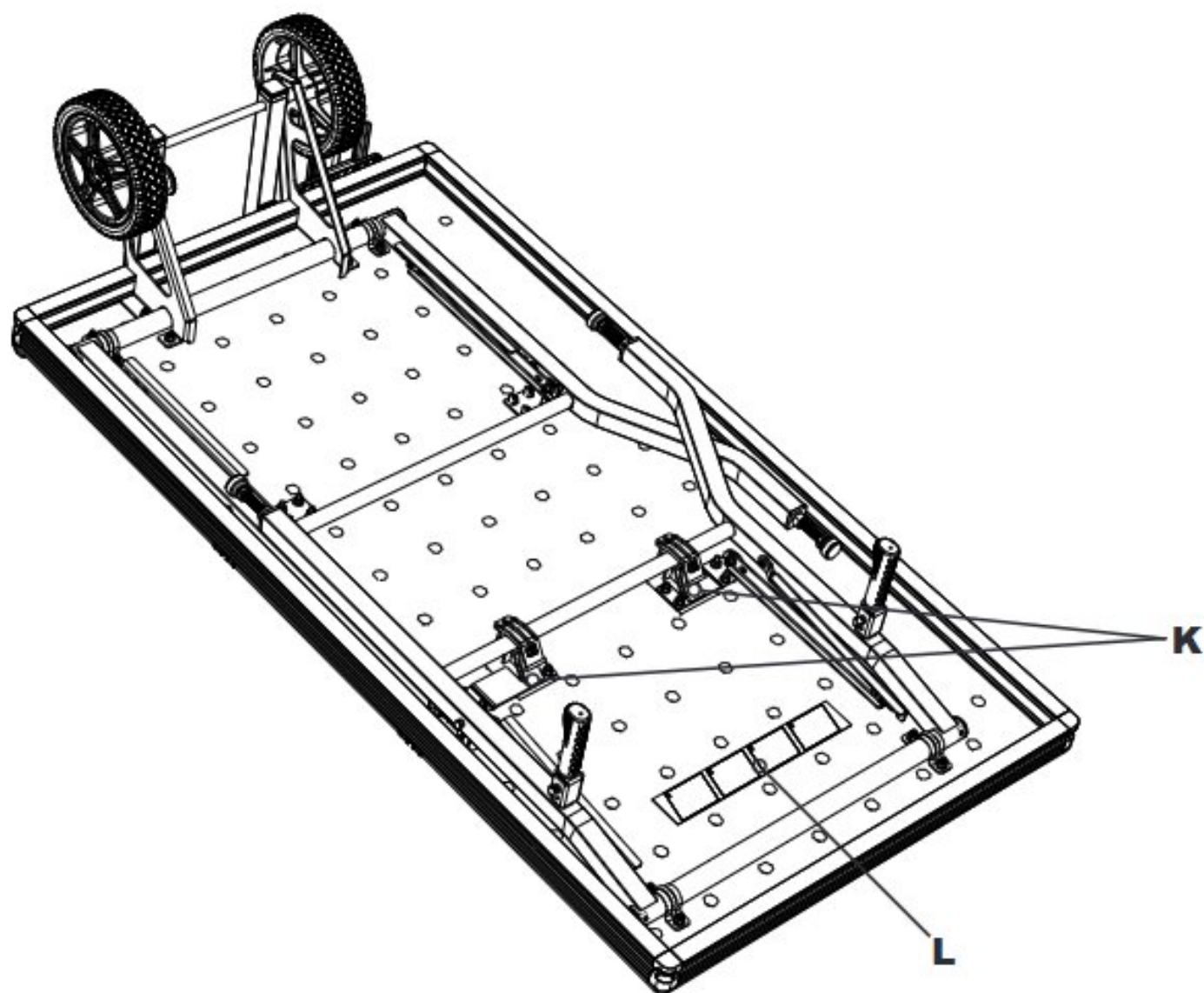
Nom

I Poignées

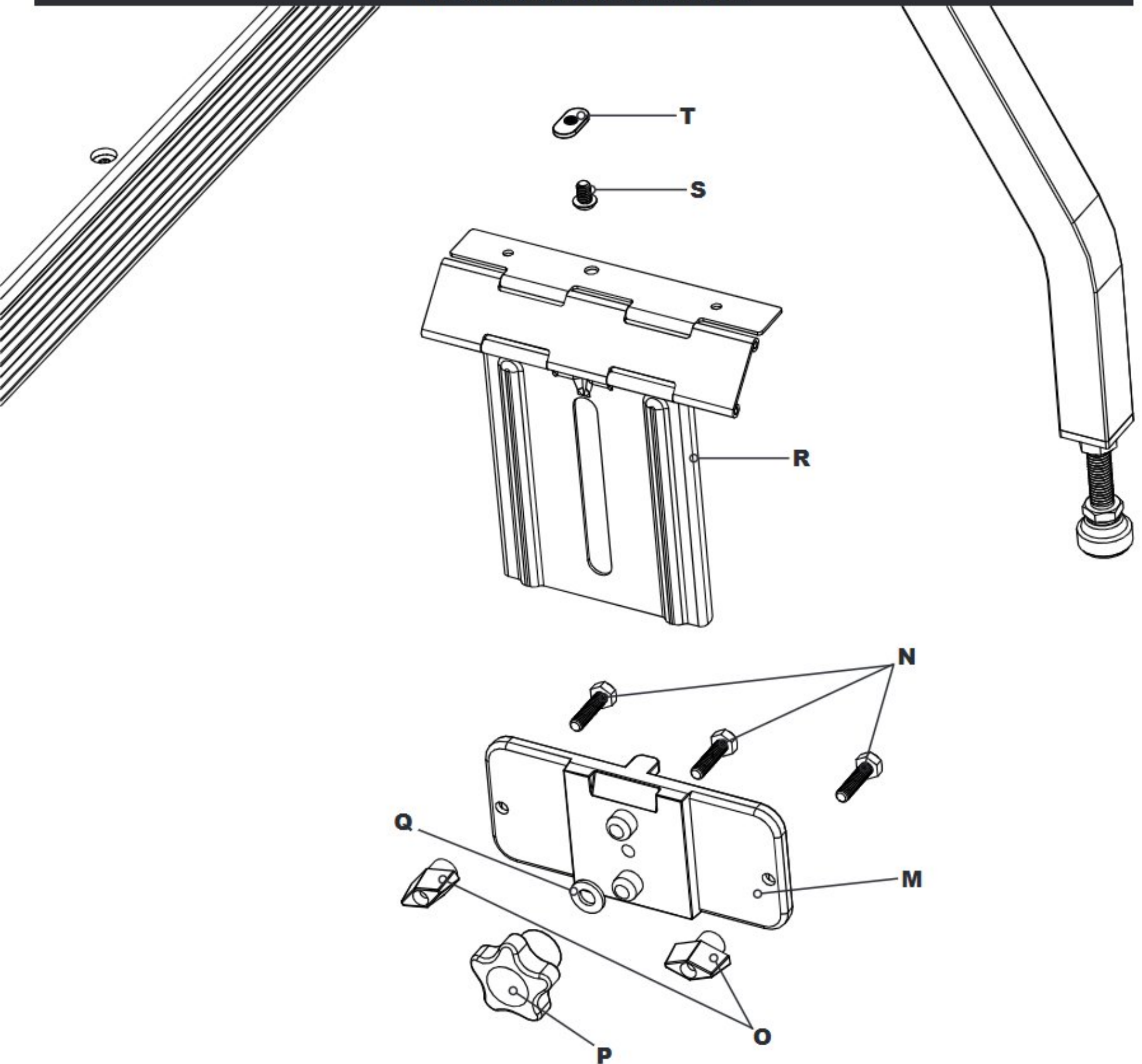
J Patins

K Dispositifs de retenue

L Étiquette d'instructions
pour la configuration/le rangement



PIÈCES POUR L'ASSEMBLAGE



#	Nom
M	Plaques de montage des charnières
N	Boulons à tête hexagonale en zinc
O	Boutons en T
P	Boutons étoiles
Q	Rondelles plates en laiton
R	Charnières
S	Vis d'assemblage
T	Écrous pour fente en T

PIÈCES POUR L'ASSEMBLAGE

Nom

U Butées polyvalentes longues

V Butées polyvalentes courtes

W Rails de la table

X Règles principales, expédiées dans le même sac que la pièce Y

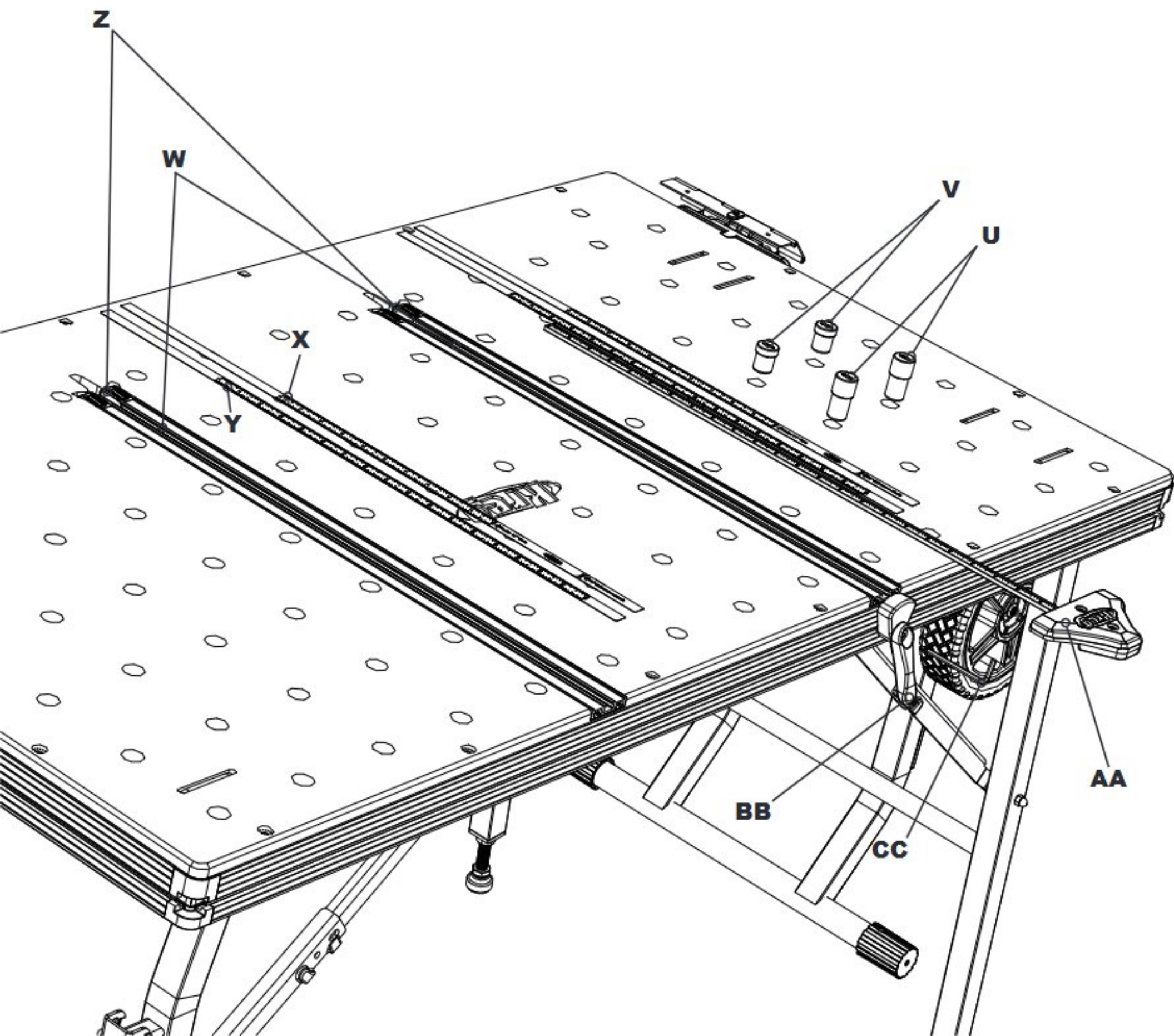
Y Règles secondaires, expédiées dans le même sac que la pièce X

Z Verrous des règles

AA Rallonge de 121,92 cm

BB Boulon à épaulement, rondelle ondulée, poignée à came, rondelle plate, écrou en T

CC Clé hexagonale



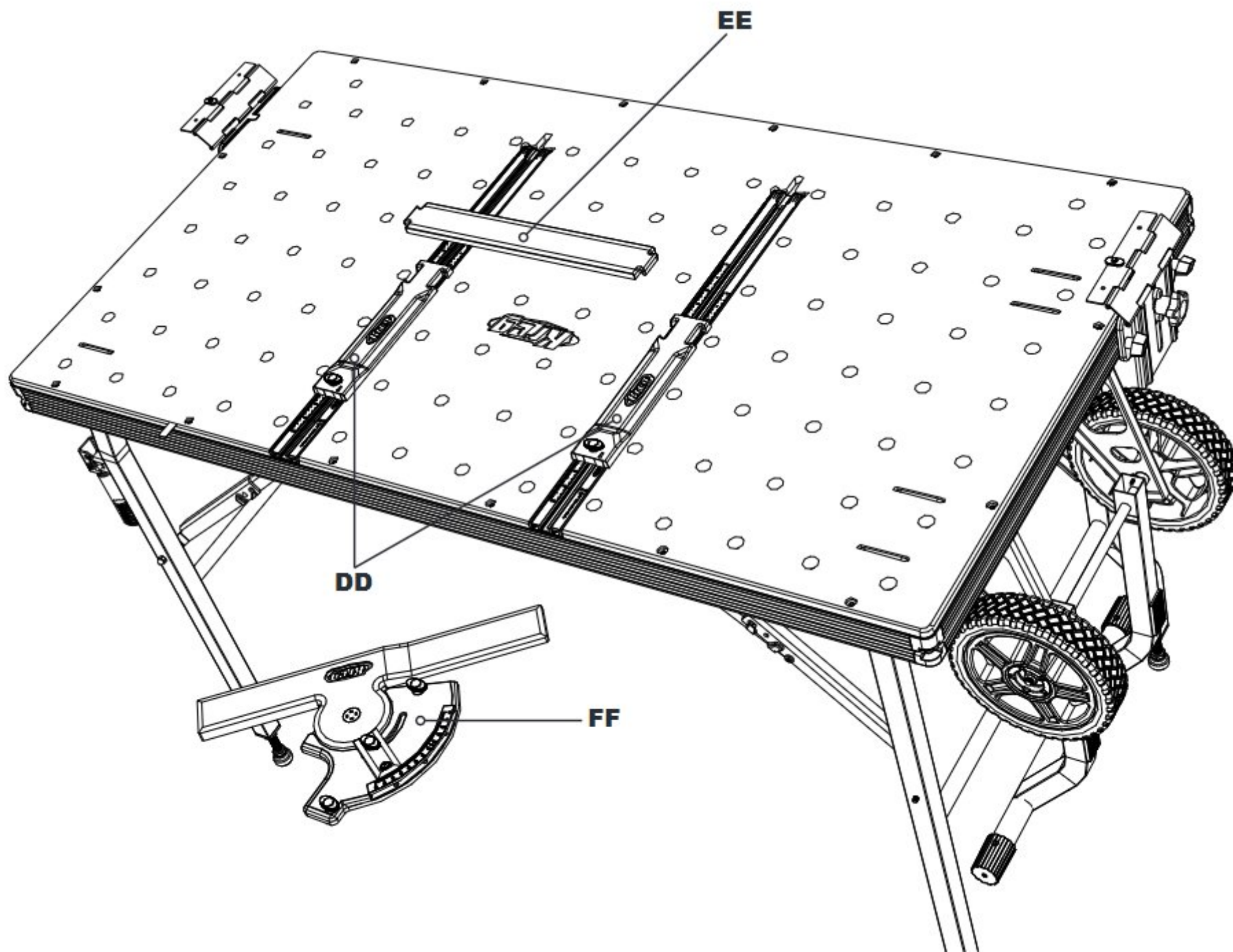
PIÈCES POUR L'ASSEMBLAGE

NOM

DD Butées répétitives, boulons noirs à tête hexagonale, boutons, écrous carrés

EE Barre de raccord

FF Guide d'onglet, boulons noirs à tête hexagonale, boutons, écrous carrés



Ensemble de roues

- (1) Positionnez l'ensemble de la béquille près des supports de l'axe de roues, tel qu'il est illustré.
- (2) Faites glisser l'axe de roue dans les supports en vous assurant que les brides des supports se font face.
- (3) Faites glisser les roues sur l'axe en vous assurant que le côté où le roulement est visible est orienté vers l'intérieur.
- (4) Vissez les écrous de blocage à embase large sur l'axe des roues en utilisant les clés incluses ou une clé à rochet munie d'une douille de 15 mm de profondeur et une clé combinée de 15 mm à chaque extrémité. Serrer les écrous au maximum.

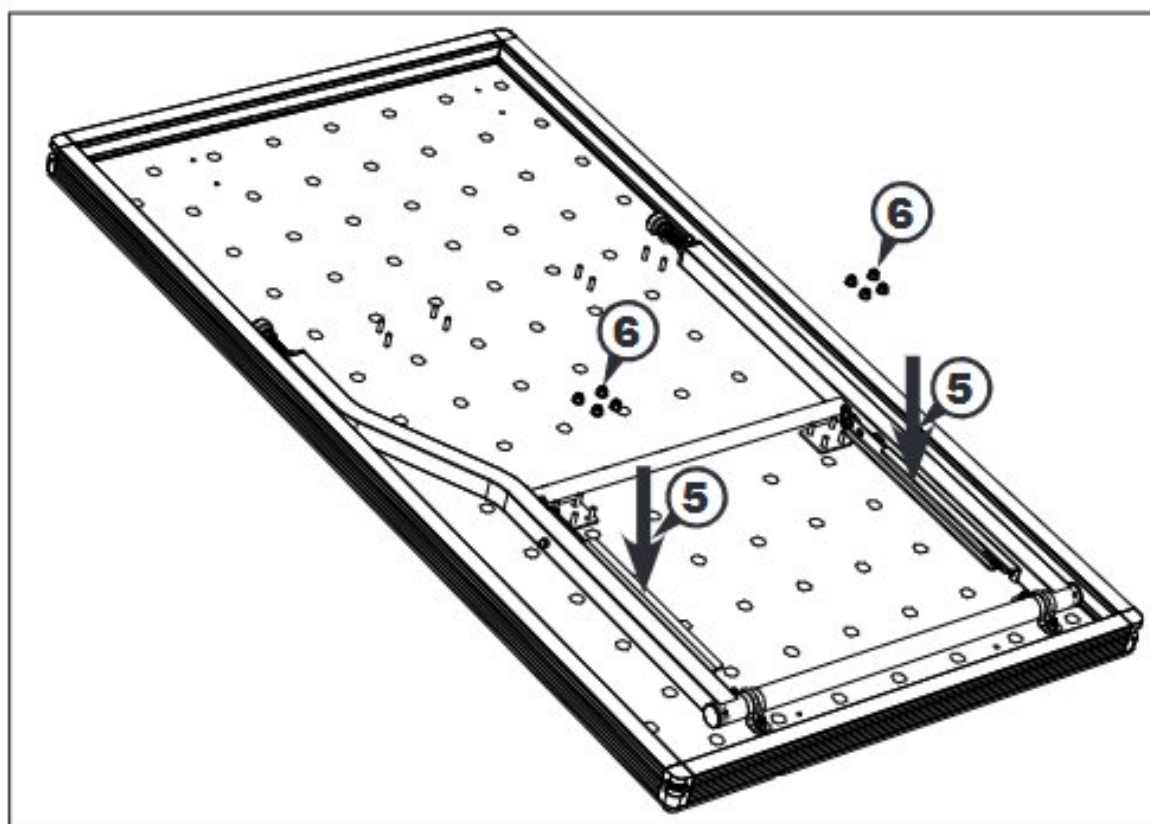
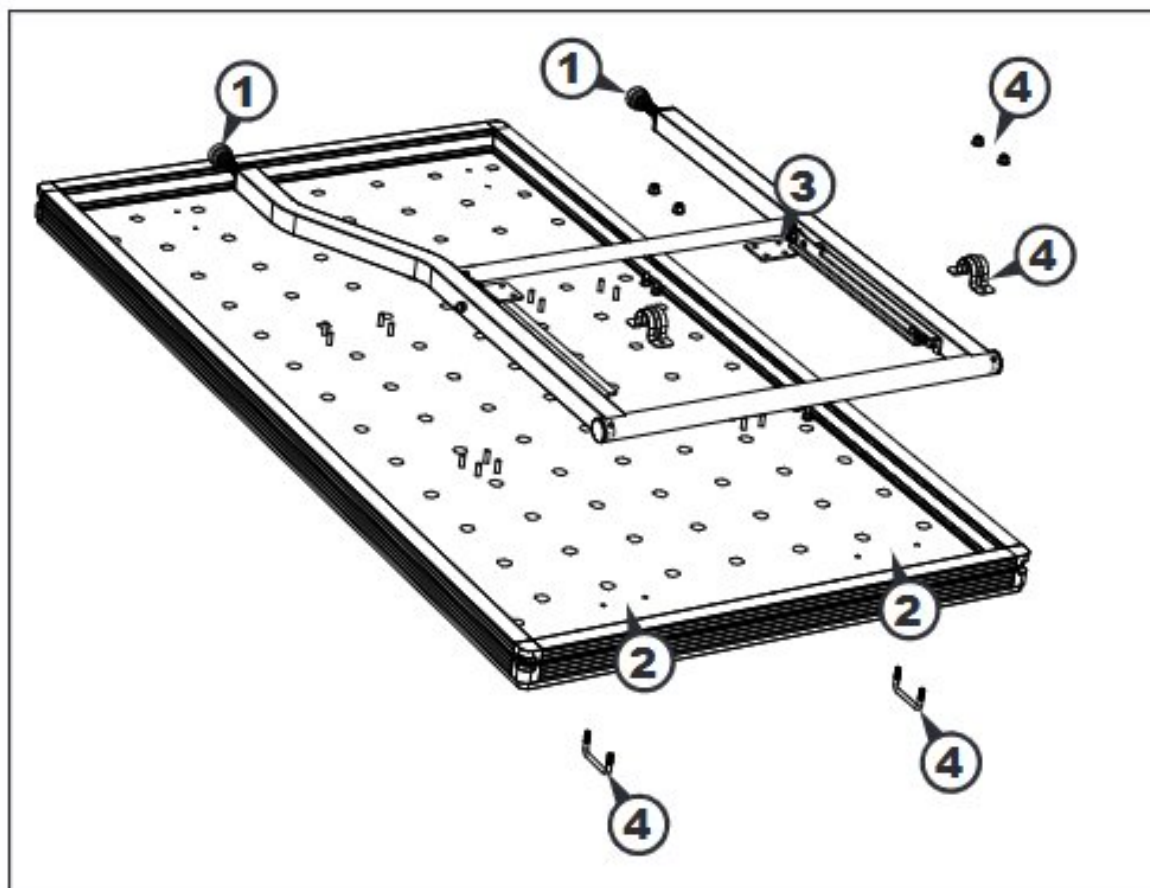
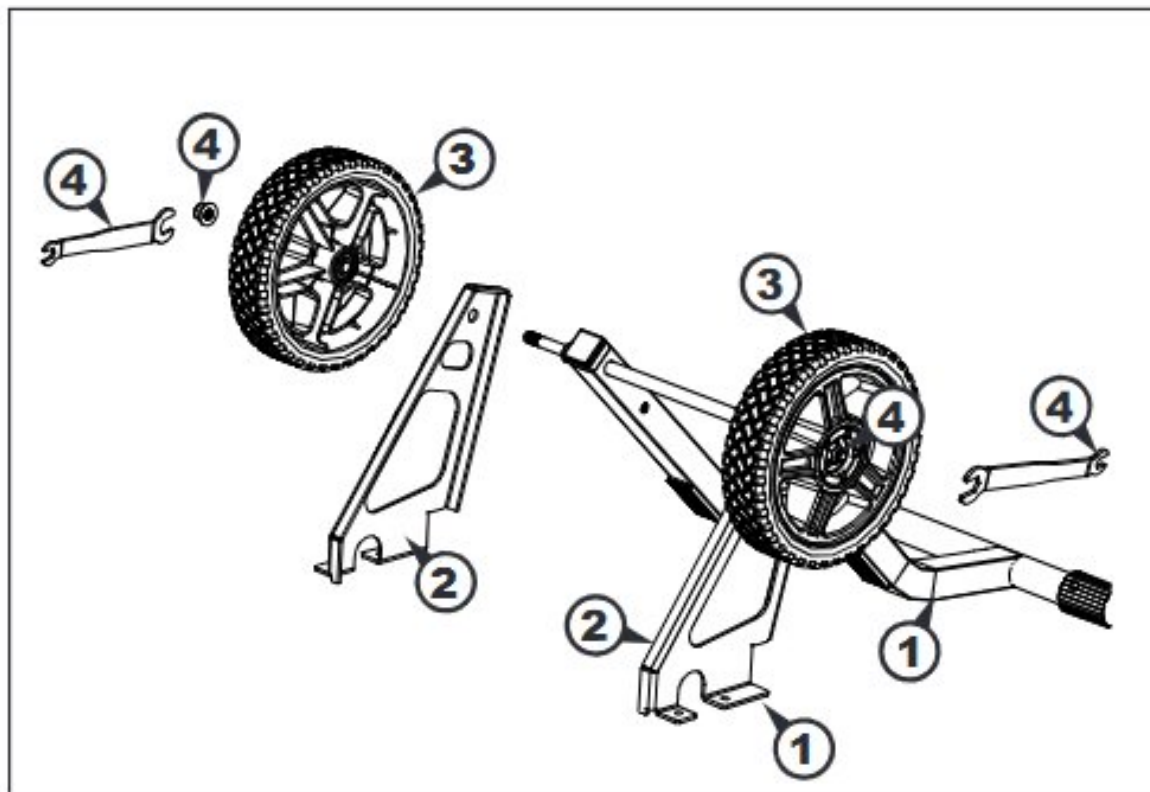
Mettez l'ensemble de roues de côté.

Base repliable

- (1) Vissez les patins sur l'ensemble de pieds 1 (sans poignées repliables).
- (2) Placez le plateau de la table de travail à l'envers sur une surface de travail propre et solide, puis localisez l'extrémité du plateau comportant deux ensembles de quatre trous.
- (3) Positionnez l'ensemble de pieds 1 à plat sur le plateau en insérant les quatre goujons filetés qui dépassent du plateau dans les deux plaques d'ancrage des articulations.

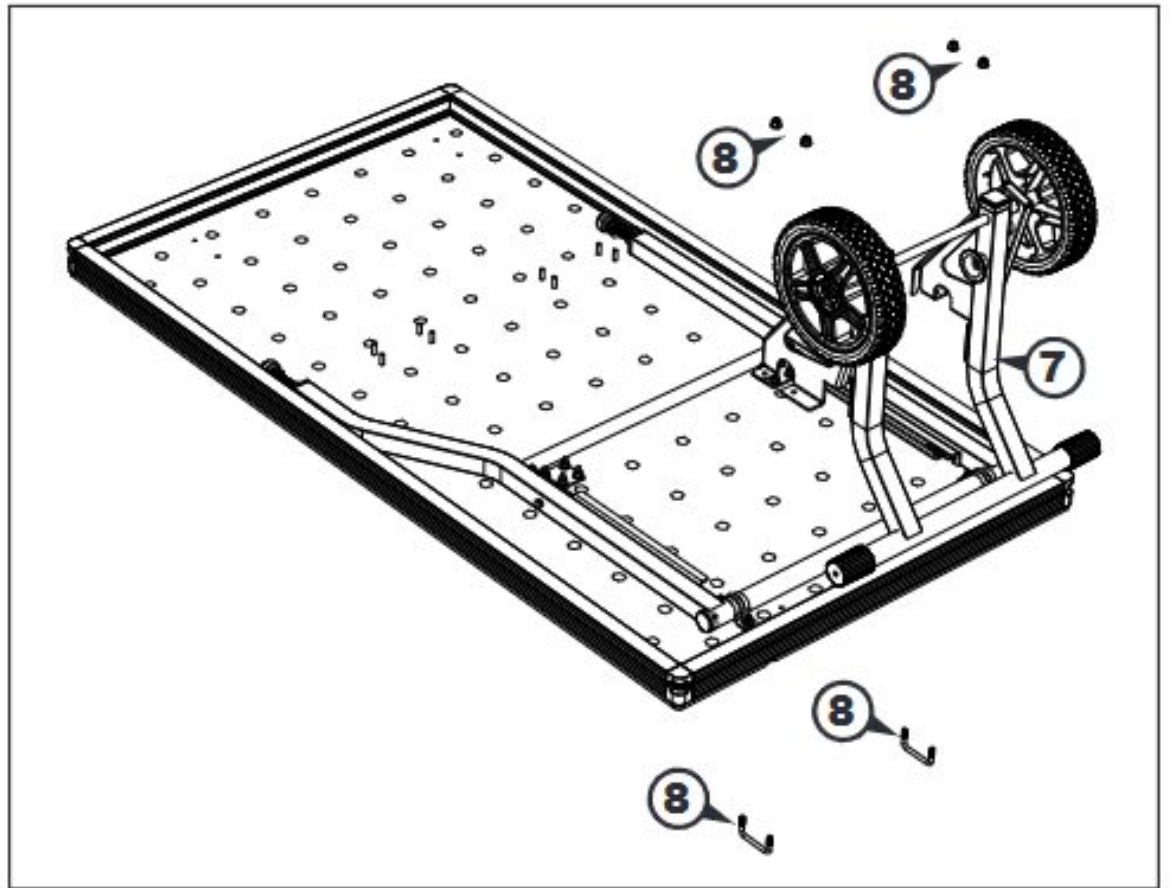
⚠ ATTENTION : Les plaques d'ancrage des articulations des deux ensembles de pieds présentent des dispositions de trous différentes qui permettent uniquement de les installer dans la configuration appropriée.

- (4) Fixez la traverse supérieure de l'ensemble de pieds au plateau à l'aide des boulons en U, des brides de fixation, des écrous de blocage à embase courte et des deux paires de trous qui se trouvent près de l'extrémité du plateau. Serrez les écrous à l'aide des clés incluses ou d'une douille de 10 mm de profondeur et d'une clé à rochet.
- (5) Poussez sur les articulations pour replier l'ensemble de pieds sur le plateau.
- (6) Vissez les écrous de blocage à embase courte sur les goujons des plaques d'ancrage des articulations, puis serrez les écrous à l'aide des clés incluses ou d'une douille de 10 mm de profondeur et d'une clé à rochet.

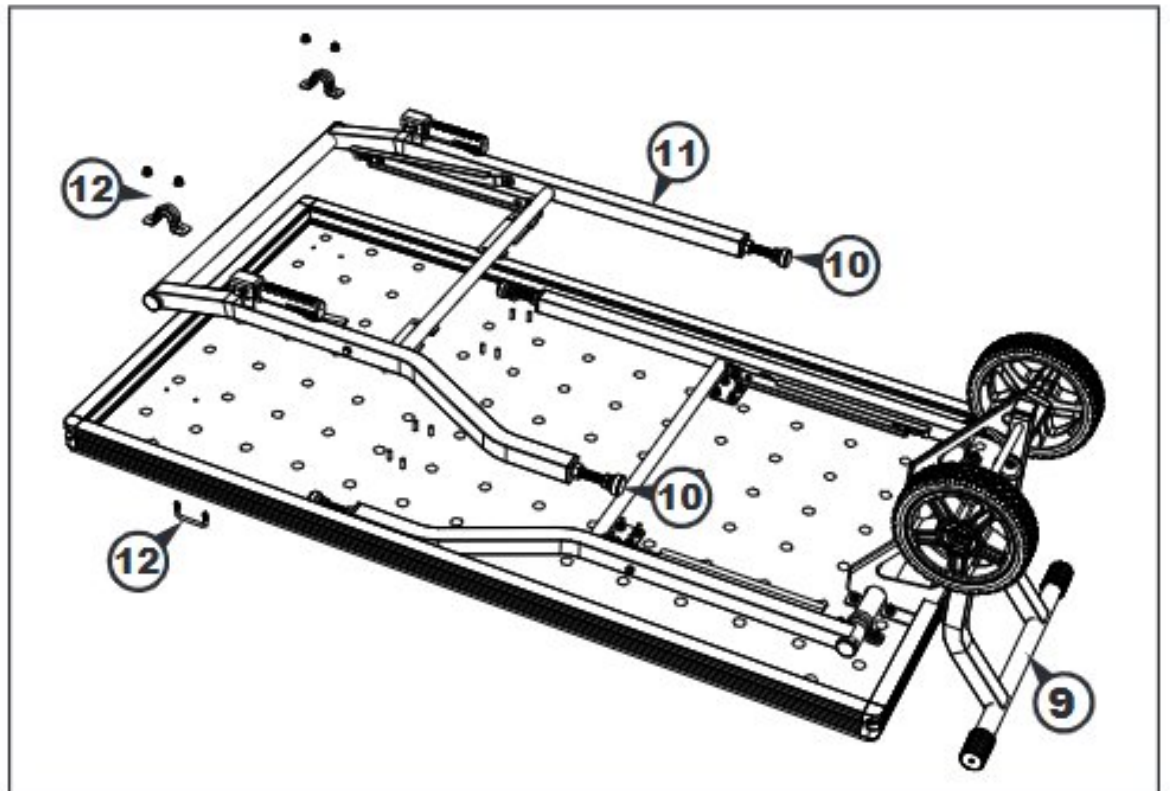


Base repliable – suite

- (7) Placez l'ensemble de roues sur la traverse supérieure de l'ensemble de pieds de façon à ce que les supports de l'axe des roues chevauchent la traverse supérieure.
- (8) Fixez l'ensemble de roues sur le plateau à l'aide de boulons en U et d'écrous de blocage à embase courte. Serrez les écrous à l'aide des clés incluses ou d'une douille de 10 mm de profondeur et d'une clé à rochet.



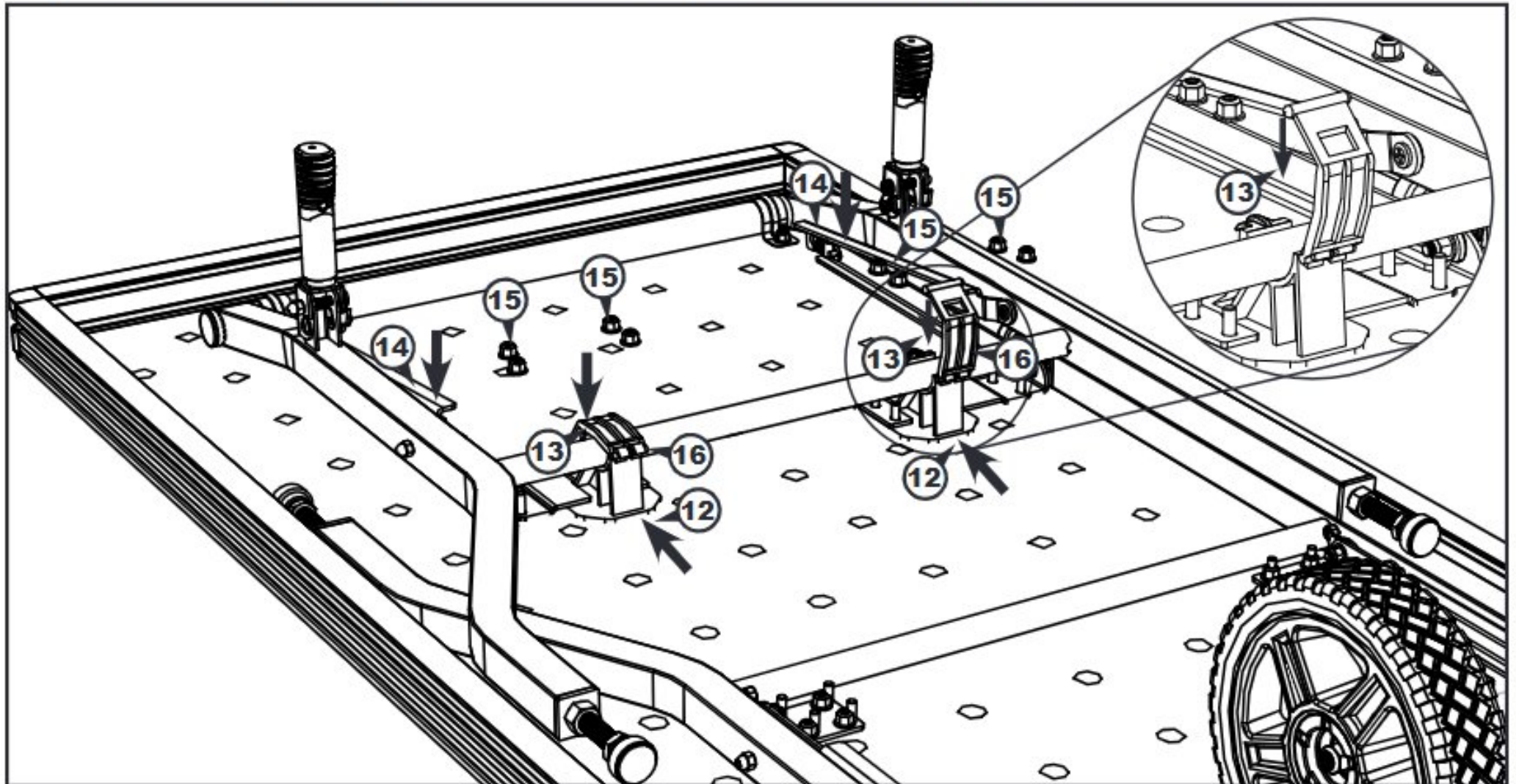
- (9) Dépliez la béquille jusqu'à ce que son verrou s'enclenche dans la bride du support de l'axe.
- (10) Vissez les patins dans l'ensemble de pieds 2 (avec poignées).
- (11) Positionnez l'ensemble de pieds 2 à plat sur le plateau.
- (12) Fixez la traverse supérieure de l'ensemble sous le plateau à l'aide des boulons en U, des brides de fixation et des écrous de blocage à embase courte. Serrez les écrous à l'aide des clés incluses ou d'une douille de 10 mm de profondeur et d'une clé à rochet.



ASSEMBLAGE

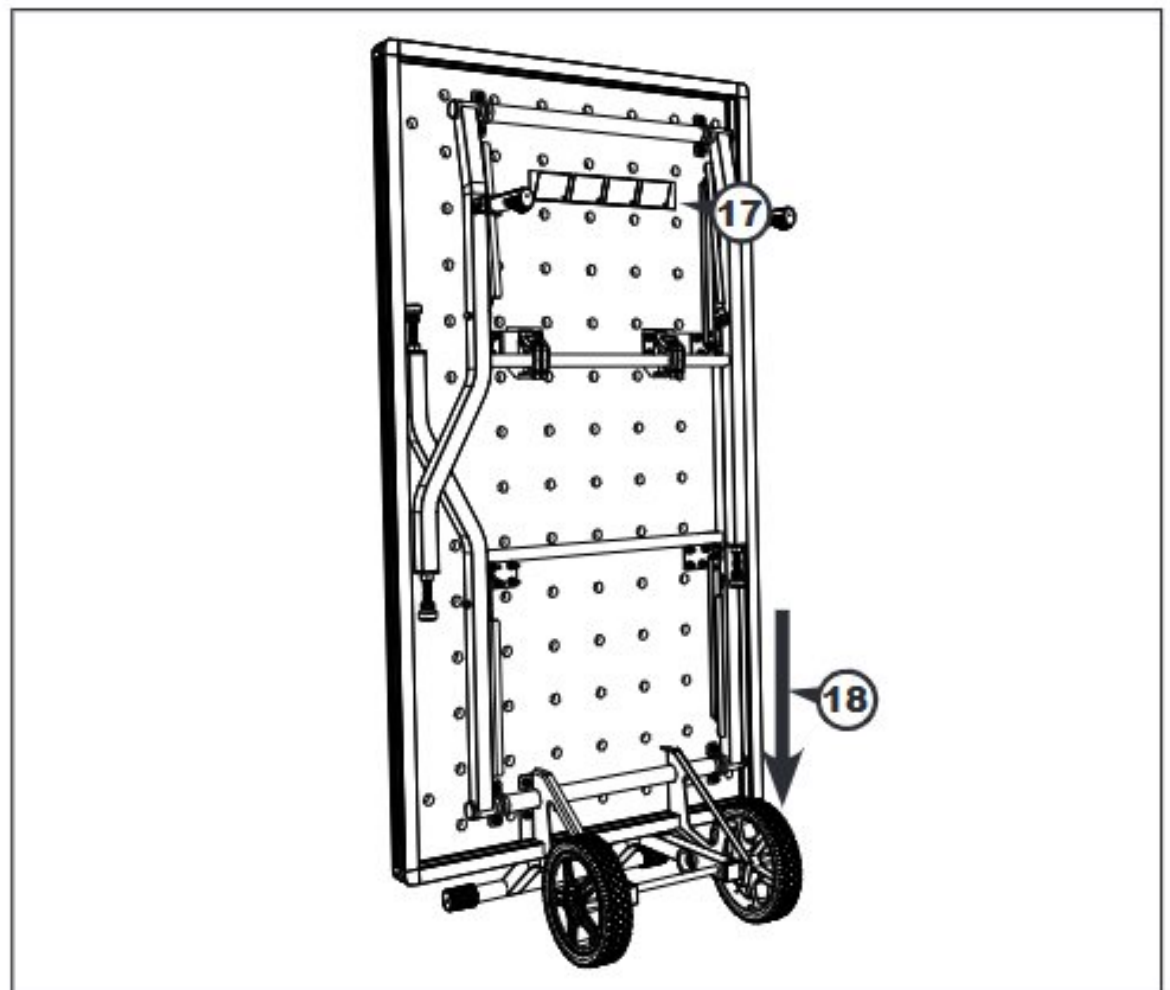
Base repliable – suite

- (12) Faites glisser les dispositifs de retenue sous les encoches des plaques d'ancrage des articulations de façon à ce que les trous des dispositifs de retenue correspondent à ceux des plaques d'ancrage.
- (13) Abaissez les plaques d'ancrage et les dispositifs de retenue sur les goujons qui dépassent.
- (14) Poussez sur les articulations pour replier l'ensemble de pieds sur le plateau.
- (15) Vissez des écrous de blocage à embase courte sur les goujons des plaques d'ancrage des articulations, puis serrez les écrous à l'aide des clés incluses ou d'une douille de 10 mm de profondeur et d'une clé à rochet.
- (16) Fixez la traverse inférieure de l'ensemble de pieds à l'aide des dispositifs de retenue.



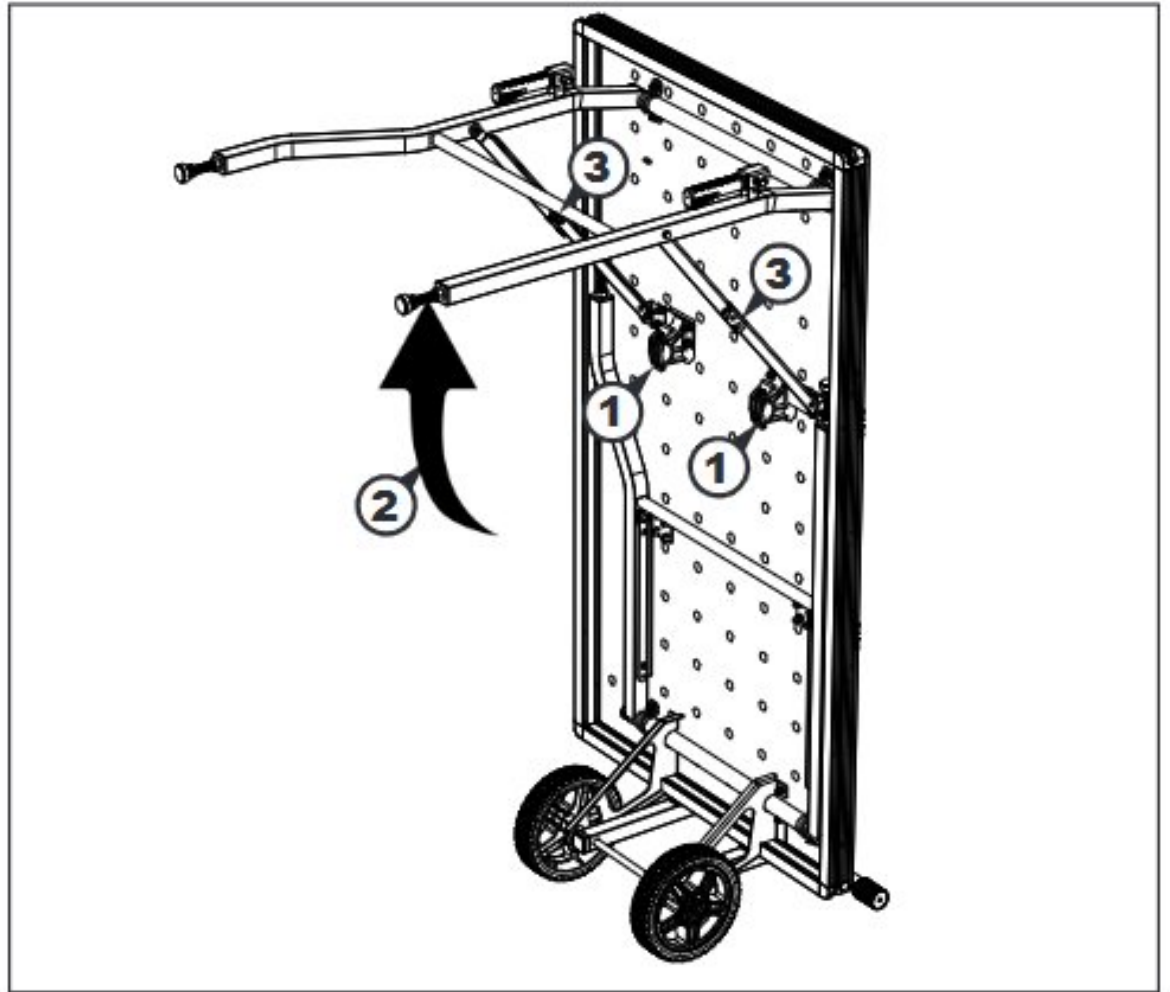
- (17) Collez l'étiquette d'instructions pour la configuration/le rangement sous le plateau.
- (18) Soulevez le plateau de la surface de travail et faites tenir la table pliée à la verticale à l'aide des roues et de la béquille.

⚠ AVERTISSEMENT : Deux personnes sont nécessaires pour soulever la table de travail.

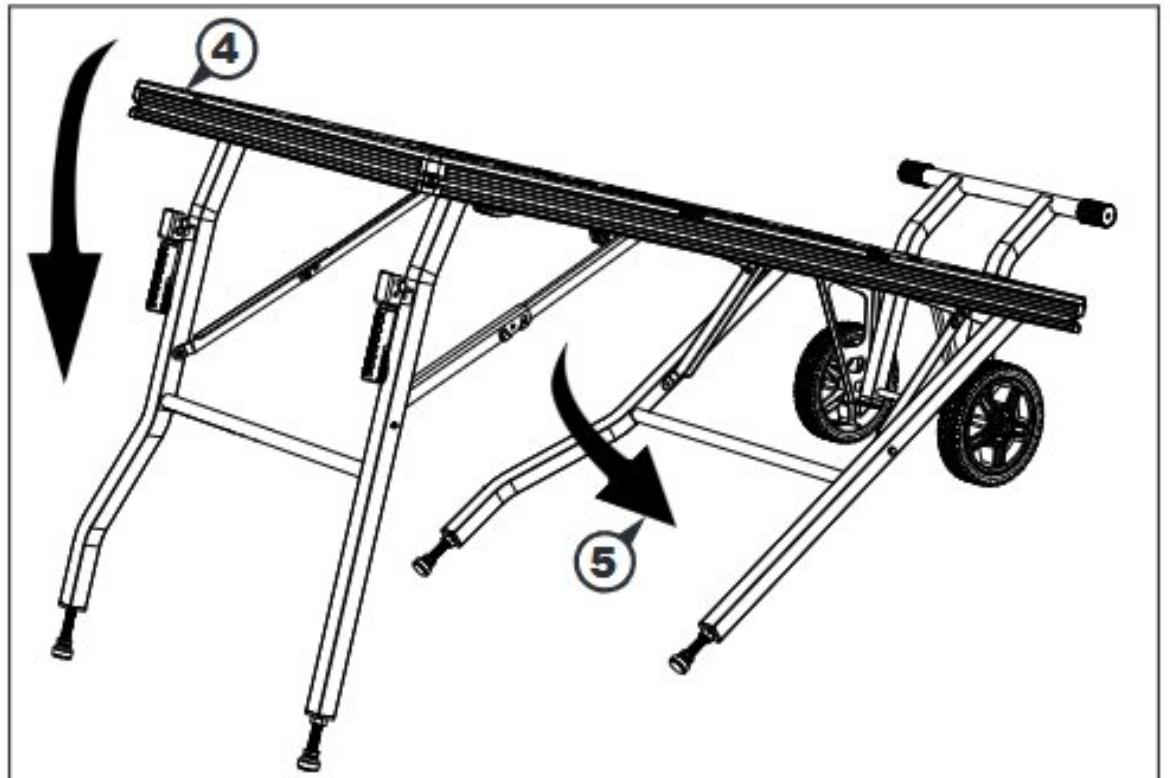


CONFIGURATION DE LA TABLE

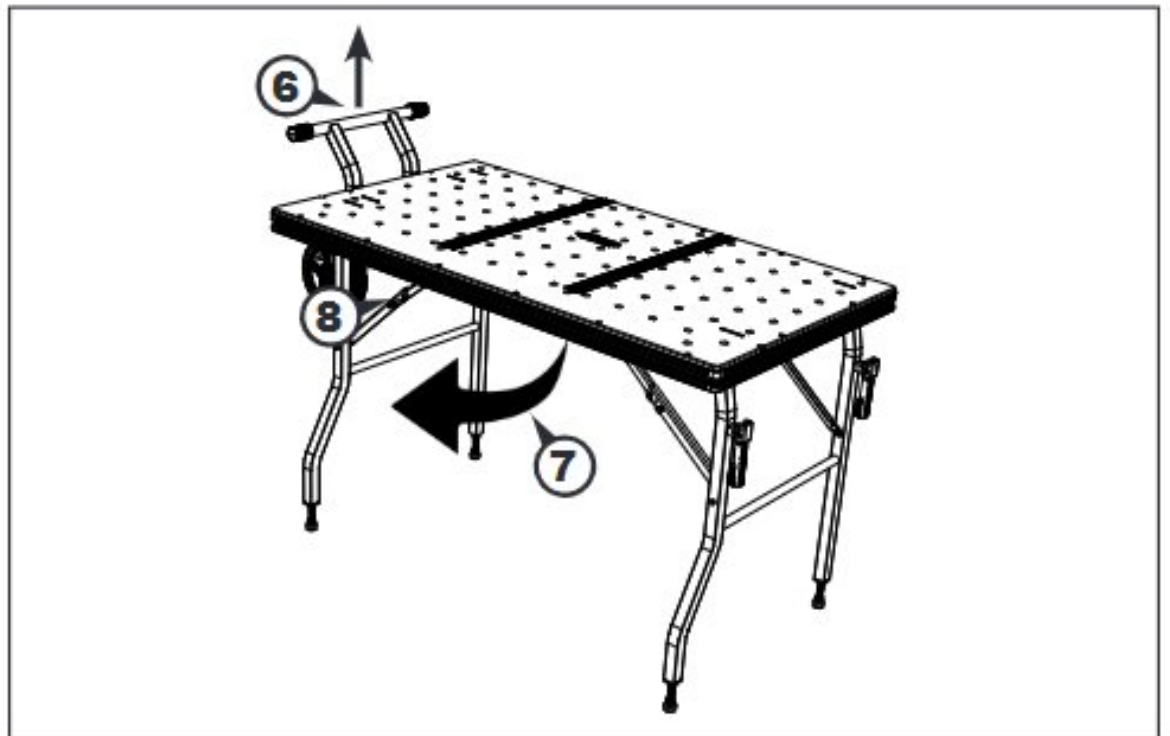
- (1) Ouvrez les dispositifs de retenue.
- (2) Dépliez l'ensemble de pieds 2 (avec poignées).
- (3) Enclenchez les verrous des articulations.



- (4) Abaissez la table en la faisant pivoter sur les roues et posez l'ensemble de pieds 2 au sol.
- (5) Abaissez l'ensemble de pieds 1 (côté des roues) jusqu'au sol.

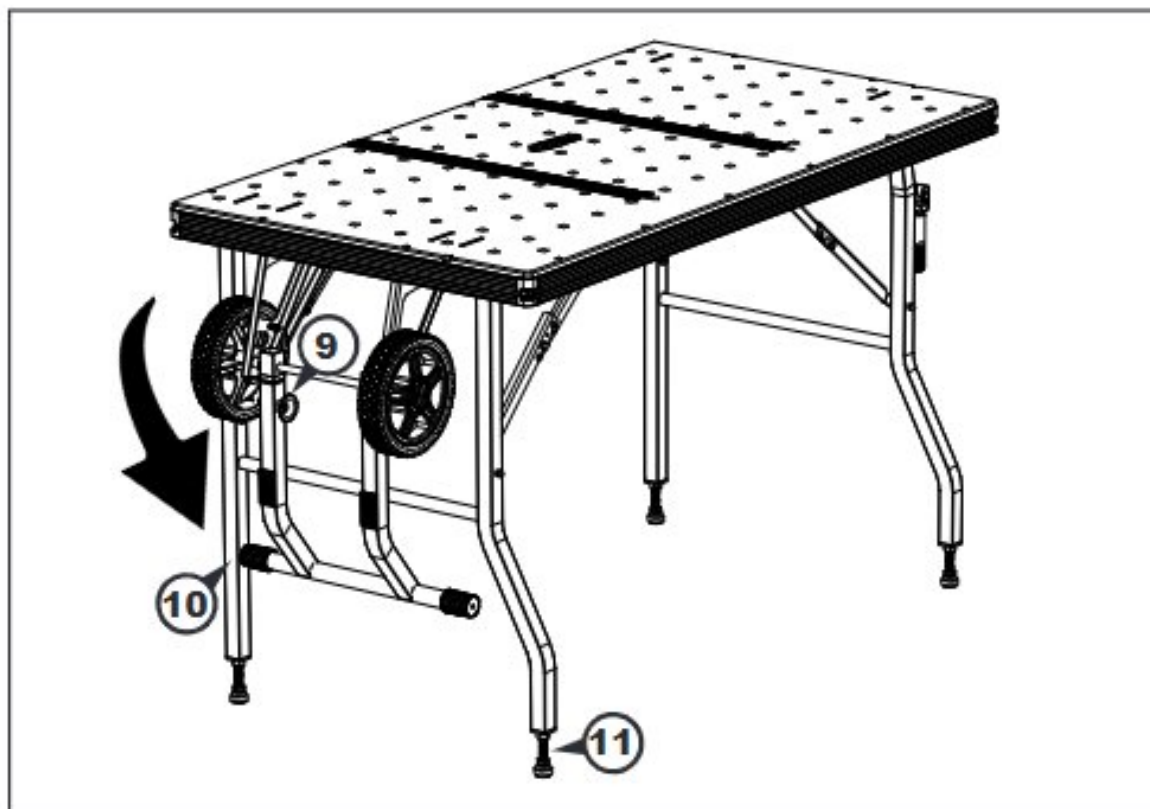


- (6) Soulevez la table par la béquille.
- (7) Abaissez complètement les pieds.
- (8) Enclenchez les verrous des articulations.



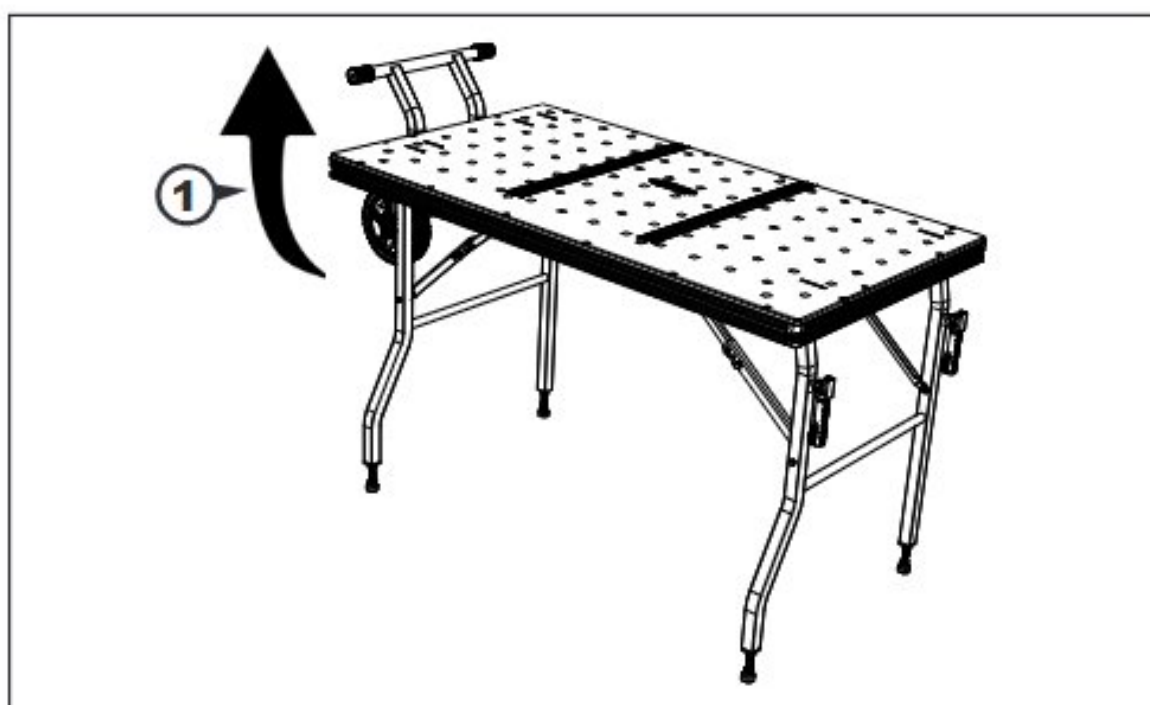
CONFIGURATION DE LA TABLE

- (9) Désengagez le verrou de la béquille.
- (10) Abaissez la béquille à la verticale.
- (11) Réglez manuellement les patins à la hauteur désirée et verrouillez l'écrou de blocage des patins à l'aide d'une clé combinée de 3/4 po.

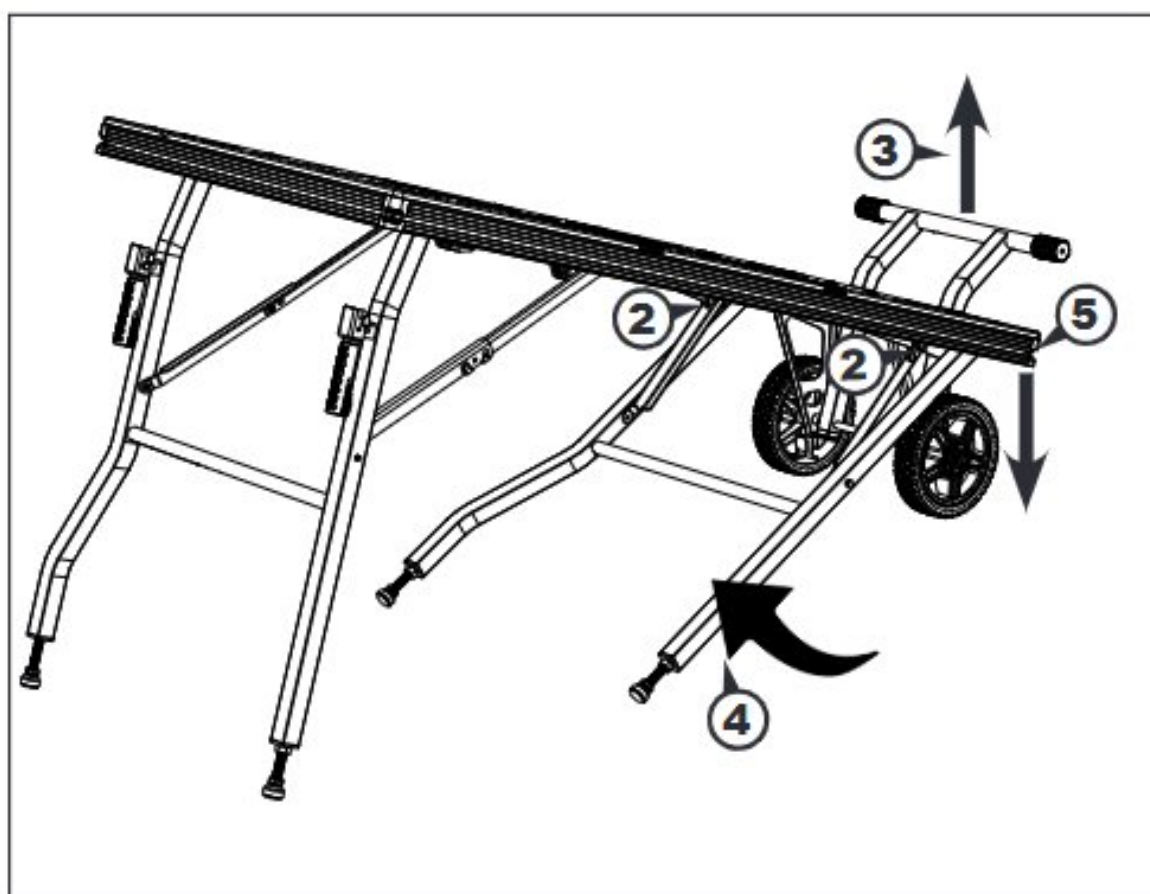


RANGEMENT DE LA TABLE

- (1) Relevez la béquille jusqu'à ce que le verrou s'enclenche.

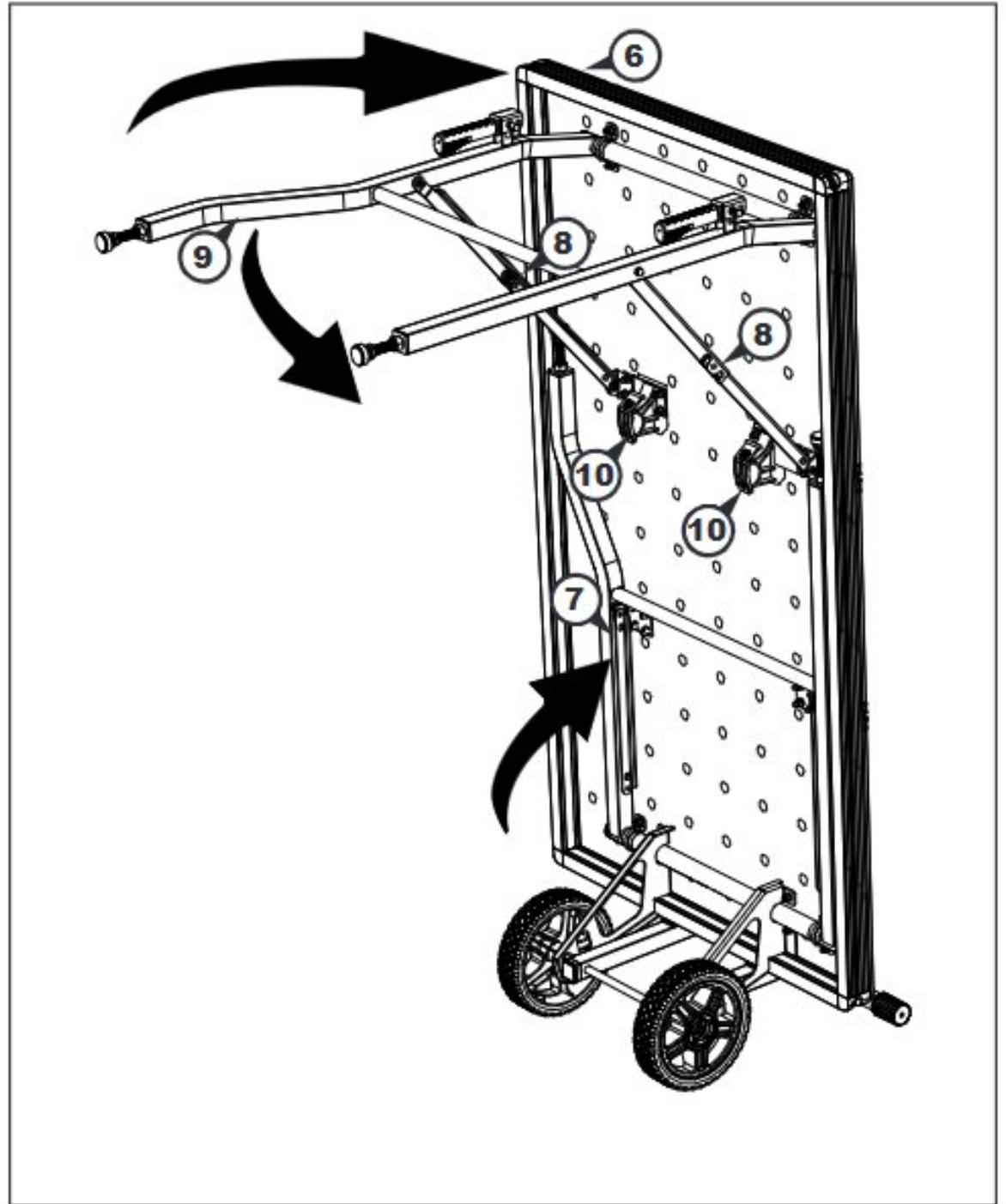


- (2) Désengagez les verrous des articulations de l'ensemble de pieds 1.
- (3) Soulevez la table par la béquille.
- (4) Faites basculer les pieds sous la table.
- (5) Laissez la table reposer sur les roues.



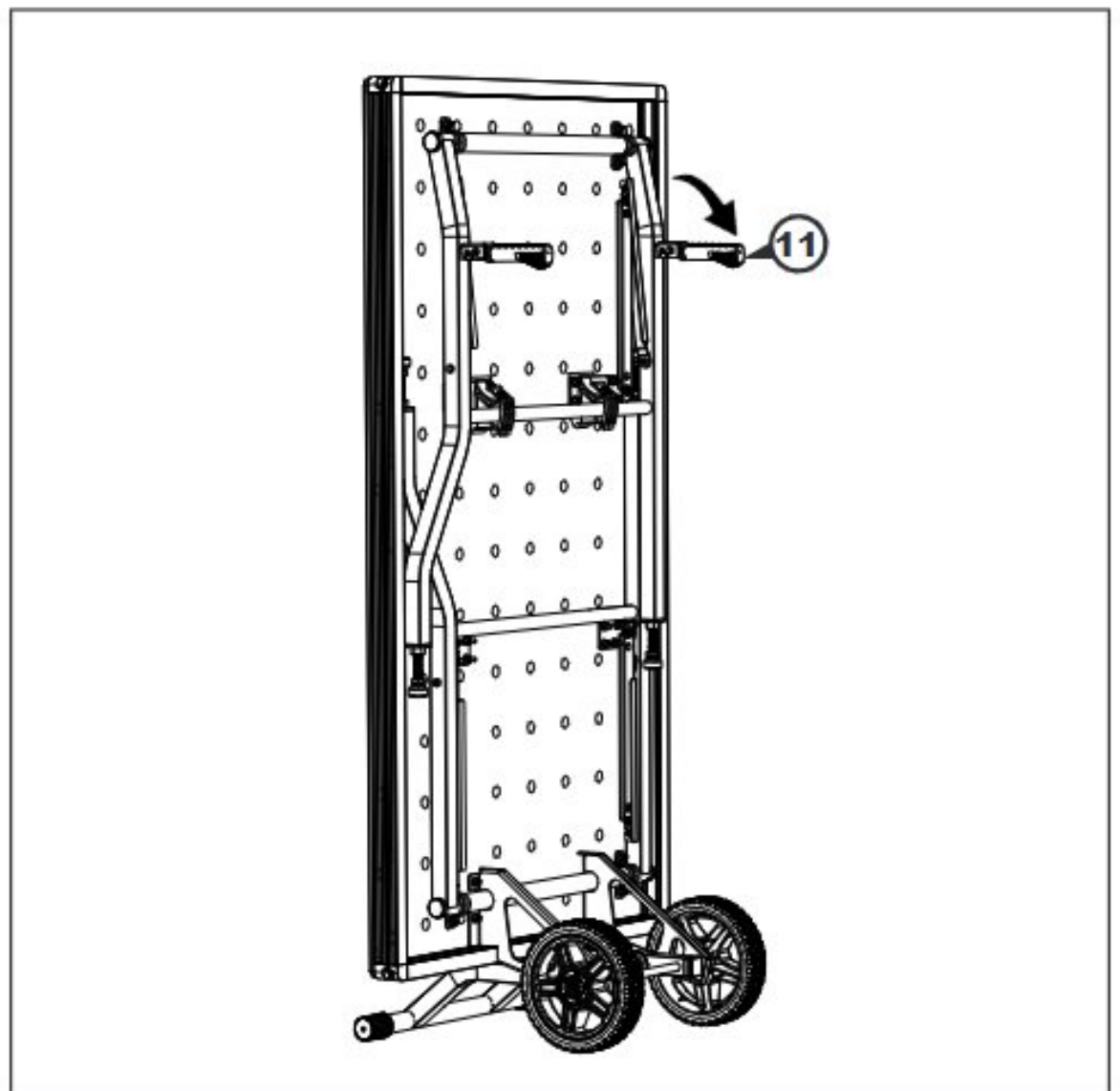
RANGEMENT DE LA TABLE

- (6) Placez la table à la verticale en soulevant l'extrémité dotée de poignées.
- (7) Repliez l'ensemble de pieds 1 sous le plateau de la table de travail.
- (8) Désengagez les verrous des articulations de l'ensemble de pieds 2.
- (9) Repliez l'ensemble de pieds 2 sous la table de travail.
- (10) Attachez la traverse à l'aide des dispositifs de retenue.



- (11) Dépliez les poignées pour déplacer la table. Rangez la table pliée à la verticale.

ATTENTION : Il est possible de ranger le guide sur rail ACS de 157,48 cm (ACS430) de Kreg en le laissant monté sur la table, au besoin.

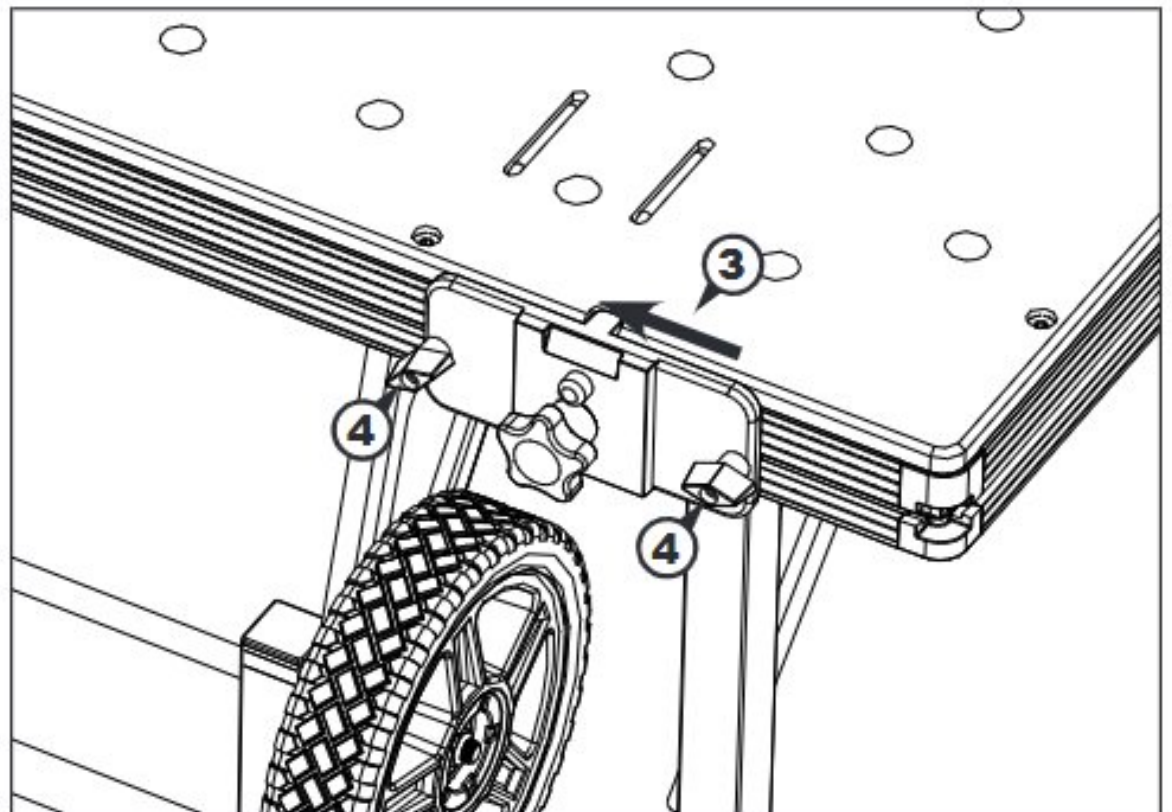
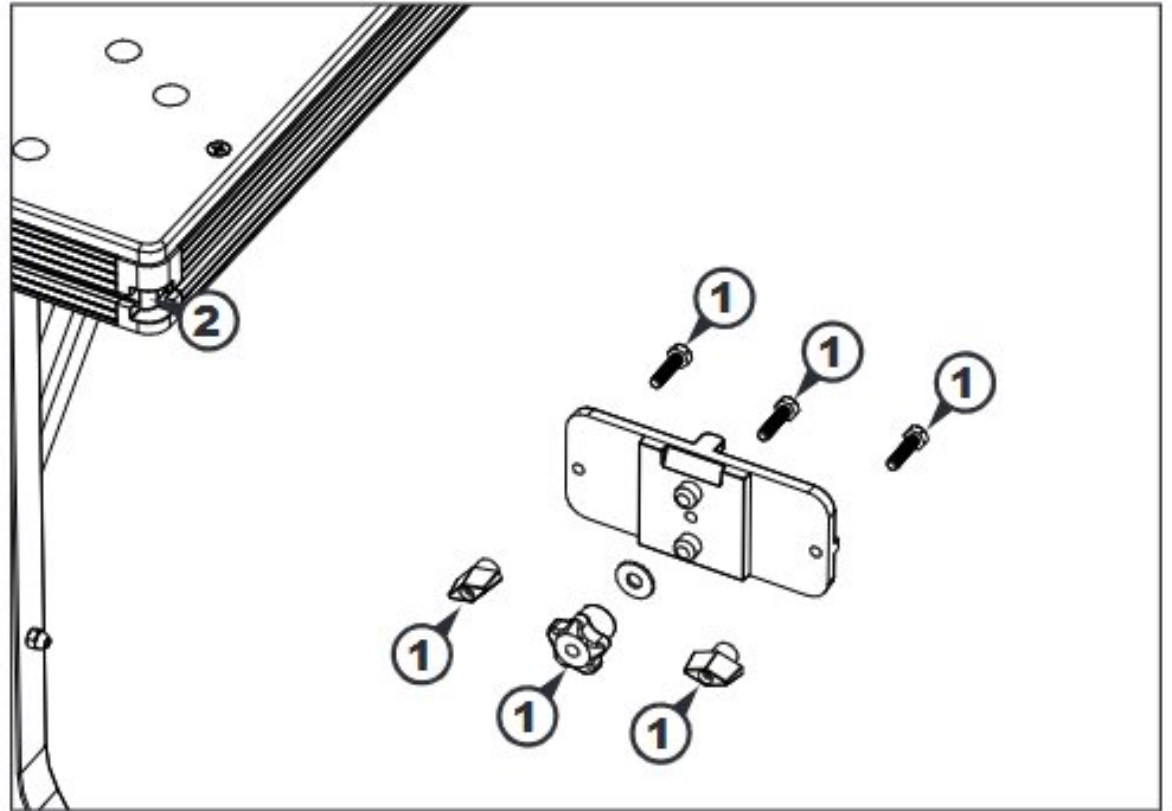


GUIDE SUR RAIL

ATTENTION : Le guide sur rail de 157,48 cm (article #ACS430) est fourni avec l'ensemble de scie plongeante et de guide sur rail (article #ACS2000) et l'ensemble principal (article #ACS3000). Il est également vendu séparément.

ATTENTION : Avant d'installer le guide sur rail sur la table, rognez la bande anti-éclats en suivant les instructions incluses dans le manuel fourni avec la scie plongeante Kreg (article #ACS-SAW).

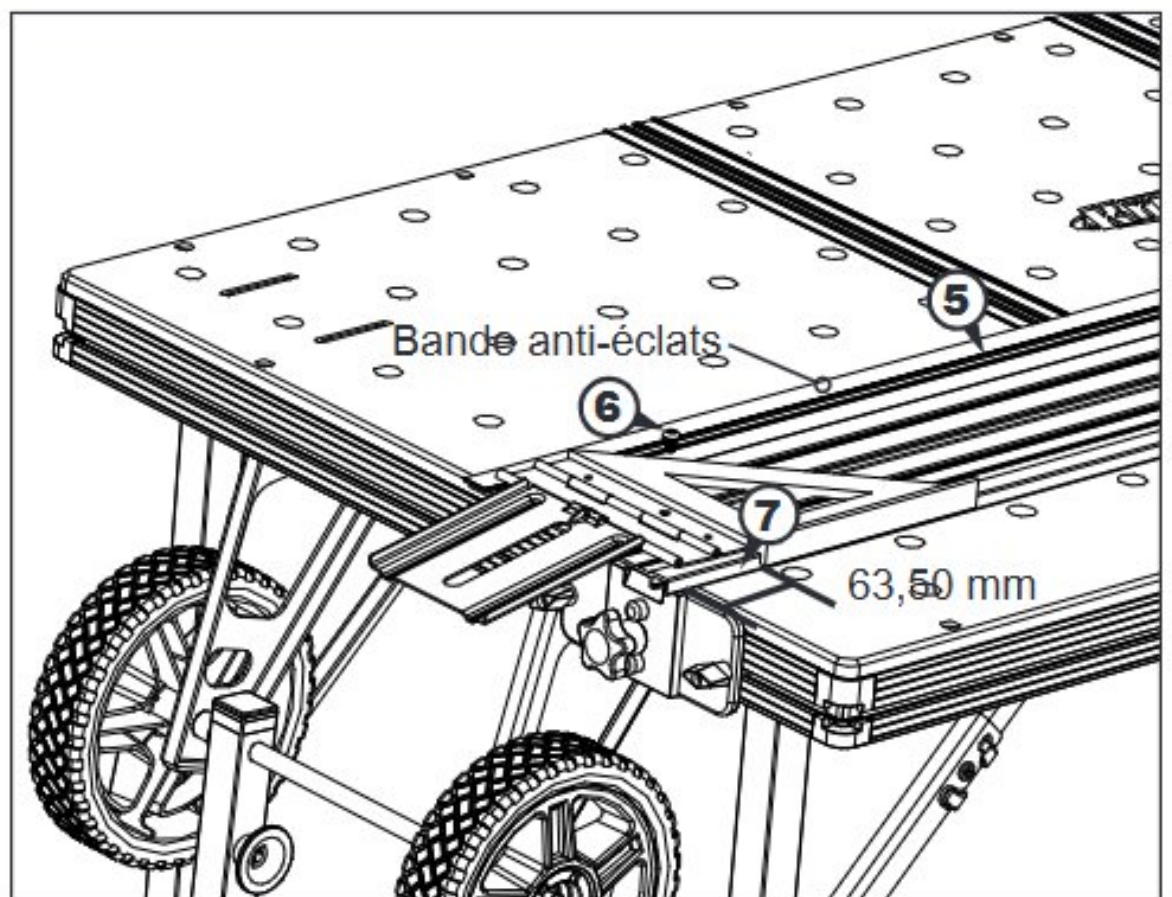
- (1) Une fois la table montée (voir **Configuration de la table**), installez le bouton étoile, la rondelle plate en laiton, le boulon à tête hexagonale en zinc, les boutons en T et les boulons des plaques de montage des charnières.
- (2) Faites glisser la tête des boulons des boutons en T dans les fentes en T du rail périphérique de la table.
- (3) Positionnez les languettes d'alignement de la plaque sur les encoches situées à l'extrême droite du plateau.
- (4) Serrez les boutons en T.



- (5) Placez le guide sur rail à l'envers sur la table en orientant la bande anti-éclats vers le centre de la table.
- (6) Installez une vis d'assemblage et un écrou pour fente en T sur la première charnière et faites glisser l'écrou dans la fente en T de l'extrémité de sortie.

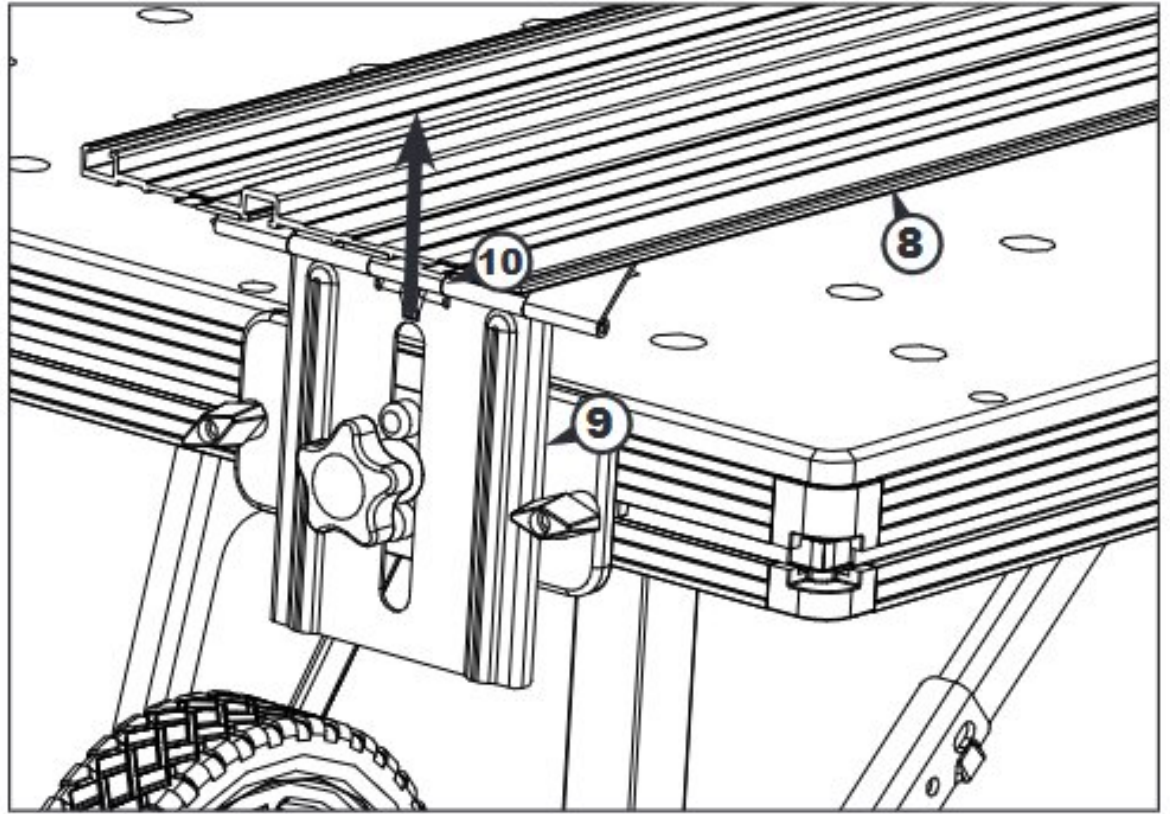
ATTENTION : Les deux charnières sont identiques et sont installées de manière à s'ouvrir dans le même sens afin de relever ou d'abaisser le guide sur rail.

- (7) Positionnez le bord de la charnière à 63,50 mm [2 ½ po] de l'extrémité du rail afin qu'il soit d'équerre avec le bord du rail, puis serrez la vis d'assemblage à l'aide de la clé hexagonale fournie.

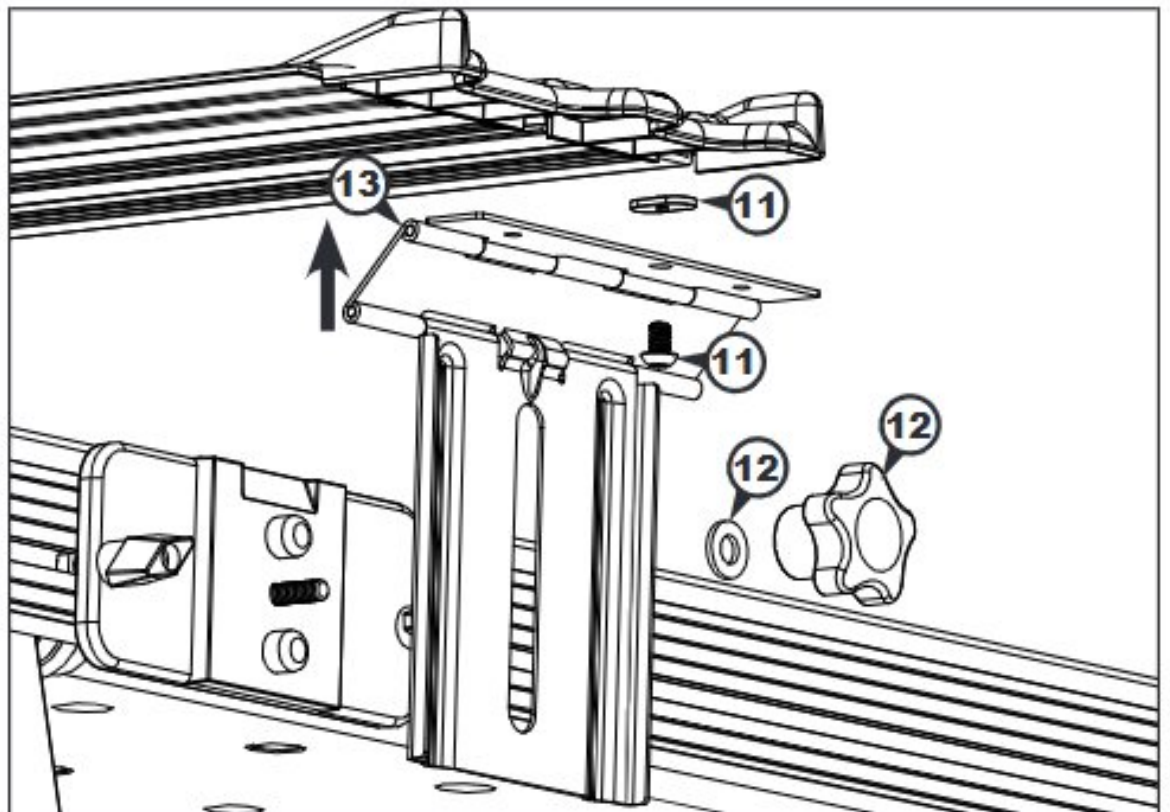


GUIDE SUR RAIL

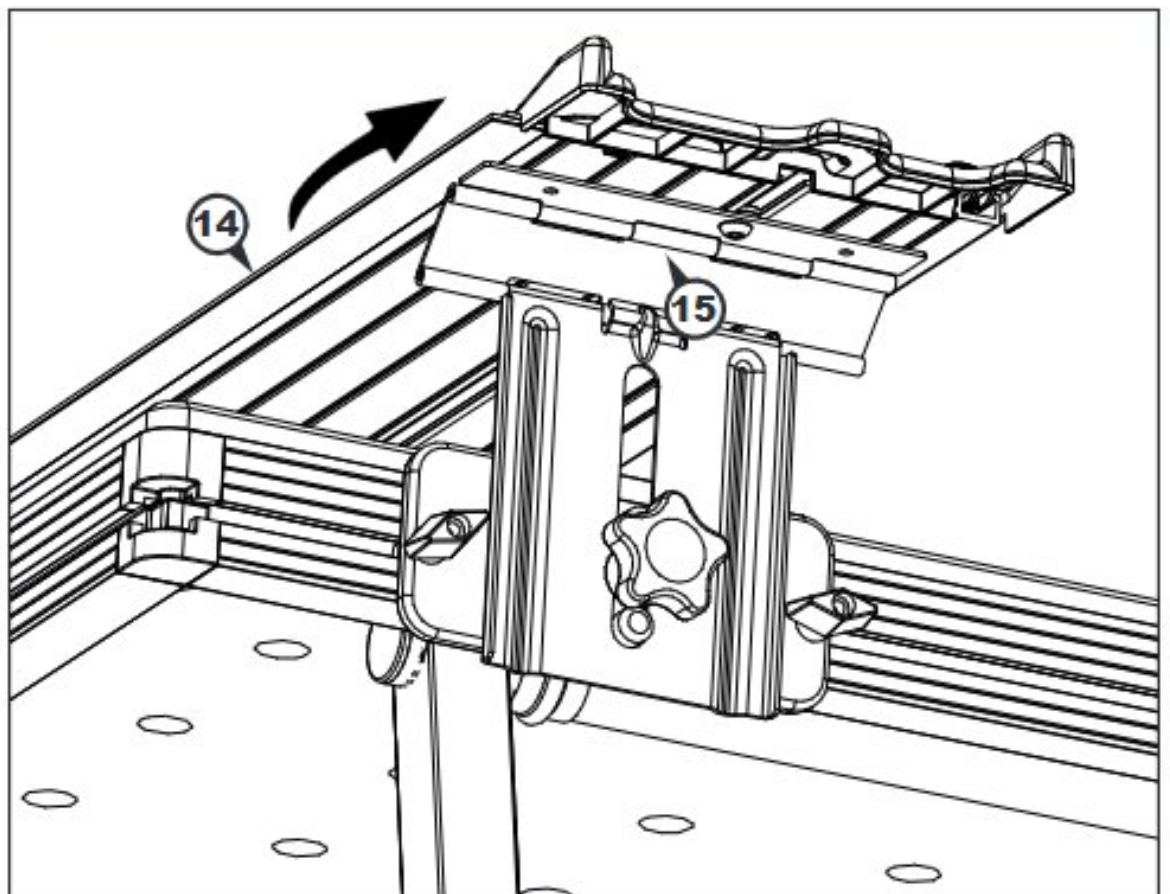
- (8) Remettez le rail à l'endroit de façon à ce que la bande anti-éclats soit orientée vers le plus proche bord de la table.
- (9) Fixez la charnière de l'extrémité de sortie à la verticale sur la plaque de montage de la charnière de l'extrémité de sortie à l'aide d'un bouton étoile et d'une rondelle plate en laiton.
- (10) Relevez complètement la charnière en position verticale et serrez le bouton étoile.



- (11) Installez une vis d'assemblage et un écrou pour fente en T sur la deuxième charnière et faites glisser l'écrou dans la fente en T de l'extrémité d'entrée. Ne serrez pas les vis.
- (12) Placez la charnière à la verticale et fixez-la à la plaque de montage de la charnière de l'extrémité d'entrée à l'aide d'un bouton étoile et d'une rondelle plate en laiton.



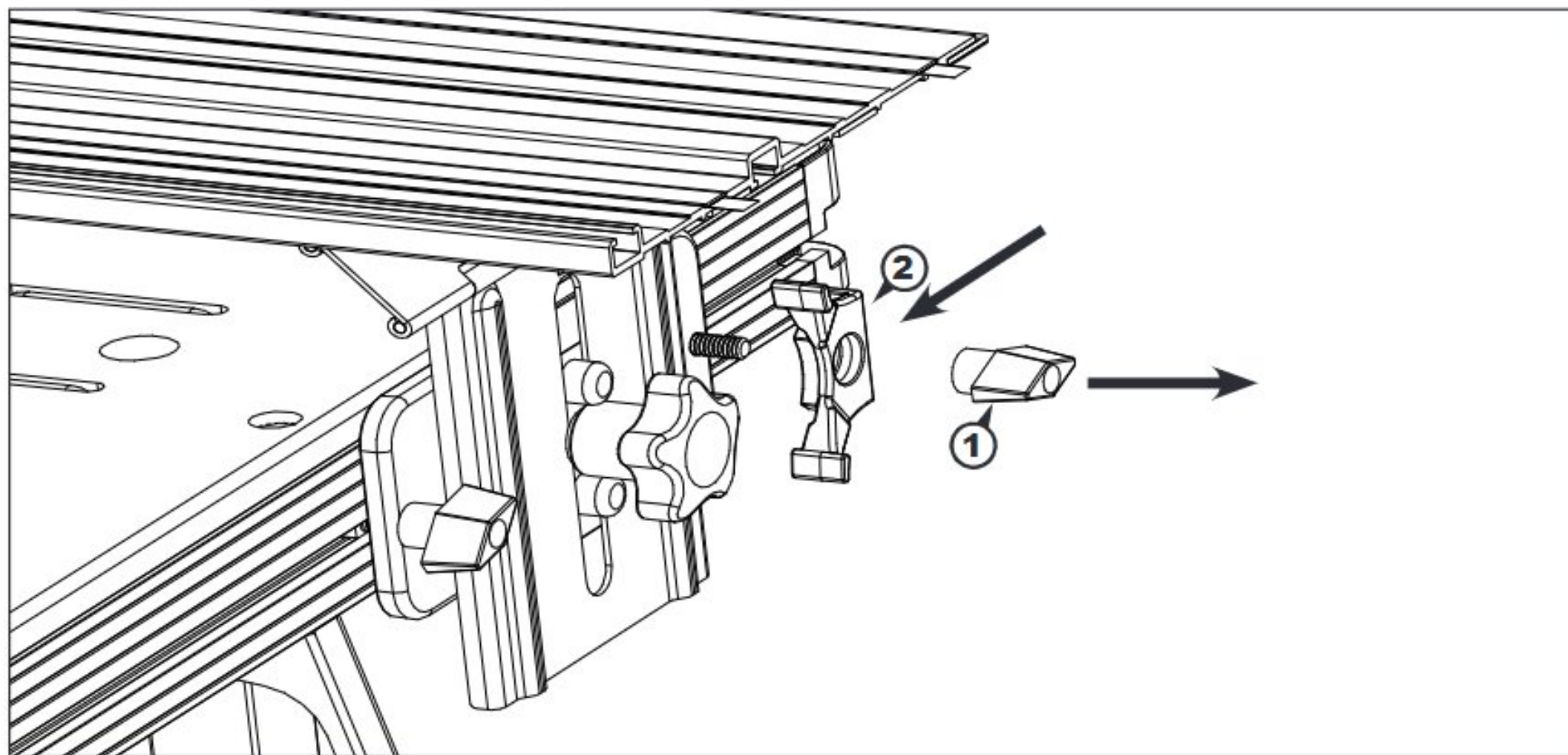
- (13) Relevez complètement la charnière et serrez le bouton étoile.
- (14) Soulevez le rail lorsque vous le déplacez en direction de l'extrémité d'entrée afin d'ouvrir complètement les deux charnières.
- (15) Serrez la vis d'assemblage de la charnière à l'aide de la clé hexagonale incluse.



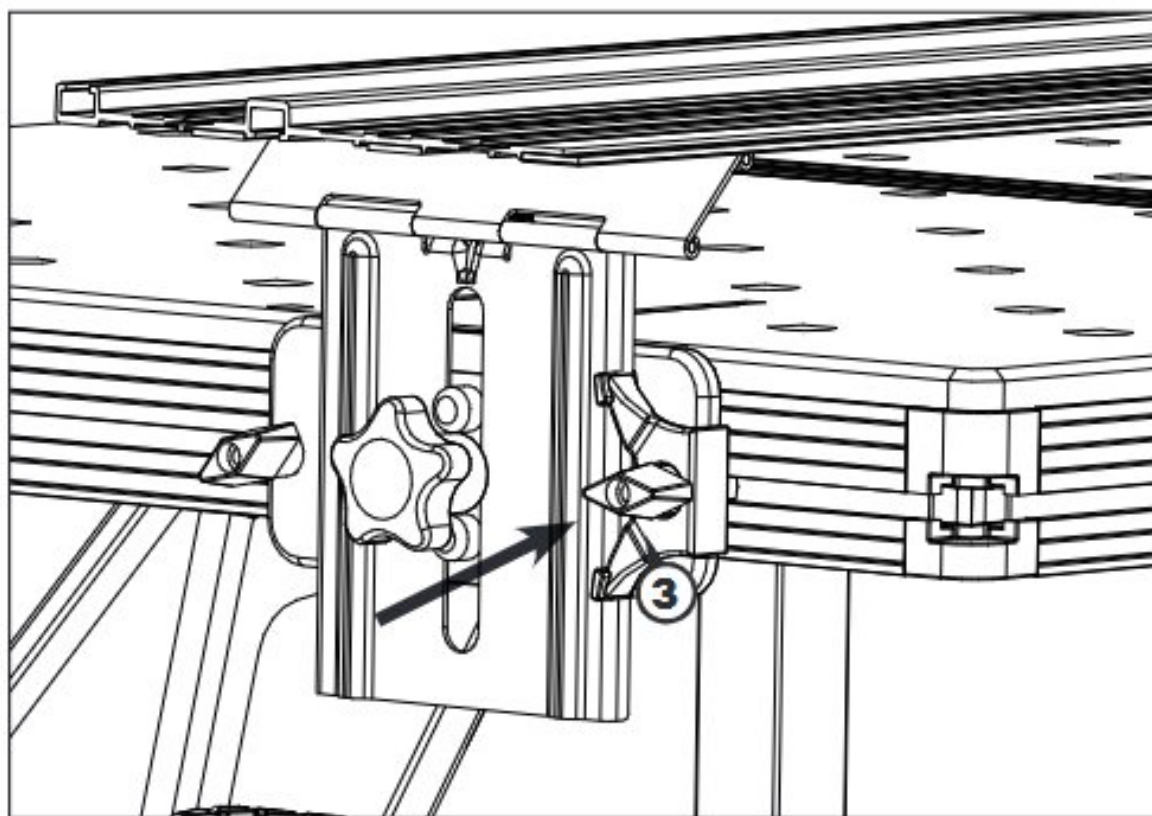
ATTENTION : Assurez-vous que les deux charnières sont complètement ouvertes avant de serrer la vis d'assemblage de la charnière. Cela permet d'assurer l'articulation adéquate des charnières.

INSTALLATION DU SUPPORT DE FIXATION DE LA CHARNIÈRE

- (1) Retirez le bouton en T situé du côté de découpe de la table.
- (2) Fixez le support de fixation de la charnière au boulon à tête hexagonale en zinc.



- (3) Réinstallez le bouton en T et serrez le tout.
- (4) Répétez ces étapes pour installer la plaque de montage de la charnière opposée.



ATTENTION : Les deux supports de fixation des charnières doivent être installés sur les plaques de montage des charnières du côté de découpe de la table.

ALIGNEMENT DU GUIDE SUR RAIL

ATTENTION : Les bandes anti-éclats du guide sur rail doivent être rognées avant d'aligner le rail. Consultez les instructions relatives à la scie plongeante et au guide sur rail.

- (1) Insérez les butées polyvalentes longues dans les deux trous d'alignement du rail du plateau.
- (2) Soulevez le guide sur rail lorsque vous le déplacez en direction de l'extrémité de sortie afin de fermer complètement les charnières.
- (3) Desserrez le bouton étoile des deux plaques de montage et abaissez le rail. Vissez les boutons.
- (4) Desserrez les boutons en T des plaques de montage et poussez les plaques vers le bord de la table jusqu'à ce que la bande anti-éclats soit appuyée sur les deux butées polyvalentes. Serrez les boutons en T des plaques de montage.
- (5) Retirez les butées polyvalentes.

AVERTISSEMENT : Utilisez uniquement les trous d'alignement des butées polyvalentes pour effectuer l'alignement du rail. N'insérez pas les butées polyvalentes dans les trous d'alignement lorsque vous effectuez une coupe.

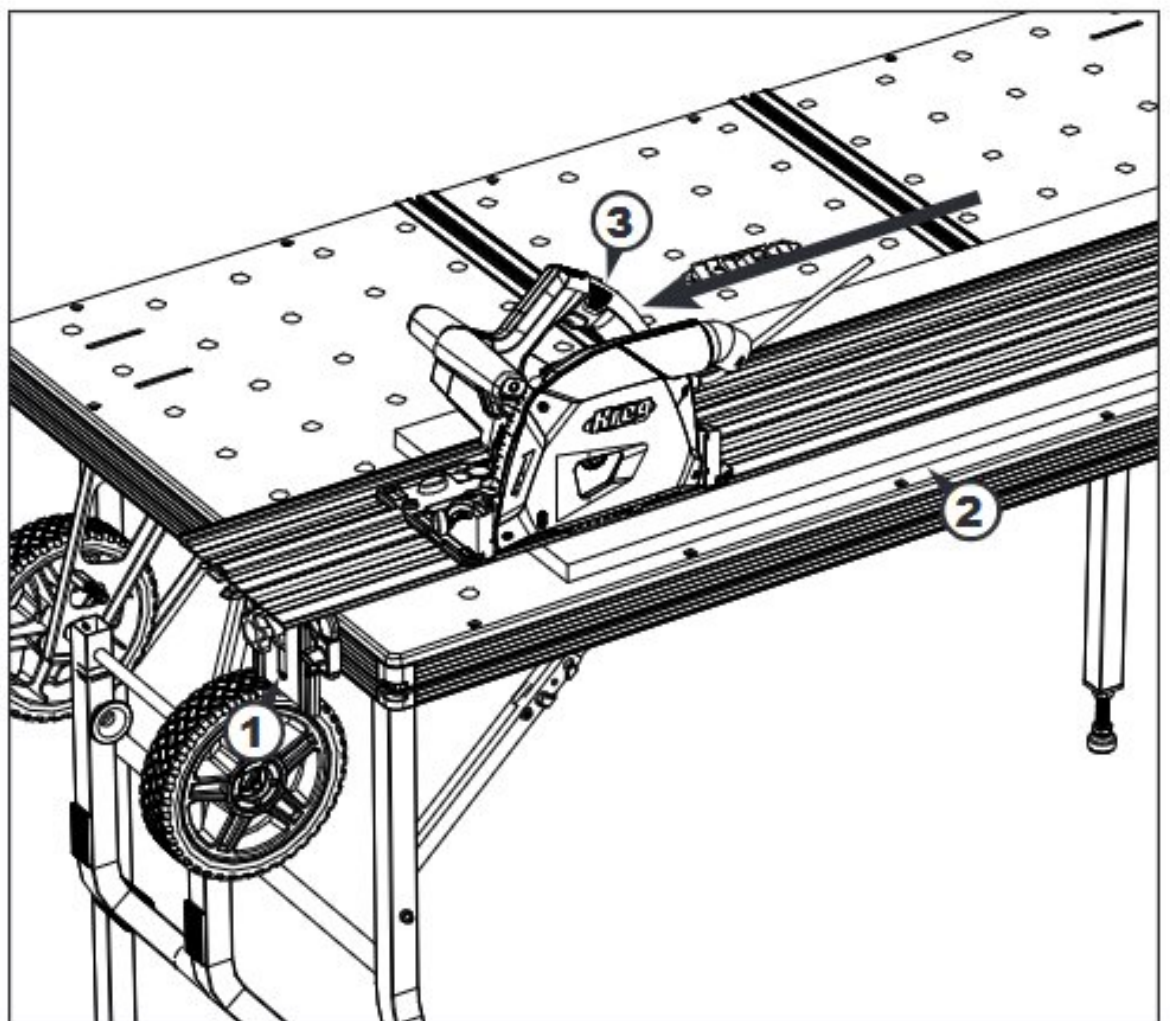
ATTENTION : Une fois le guide sur rail aligné, ne retirez pas les plaques de montage des charnières de la table. Pour utiliser la table sans le rail, retirez simultanément le rail et les charnières pour éviter d'avoir à réaligner le rail. Pour utiliser le rail et la scie indépendamment de la table, retirez les charnières du rail. Chaque fois que vous retirez la plaque de fixation des charnières de la table ou les charnières du rail, vous devez réaligner le rail.



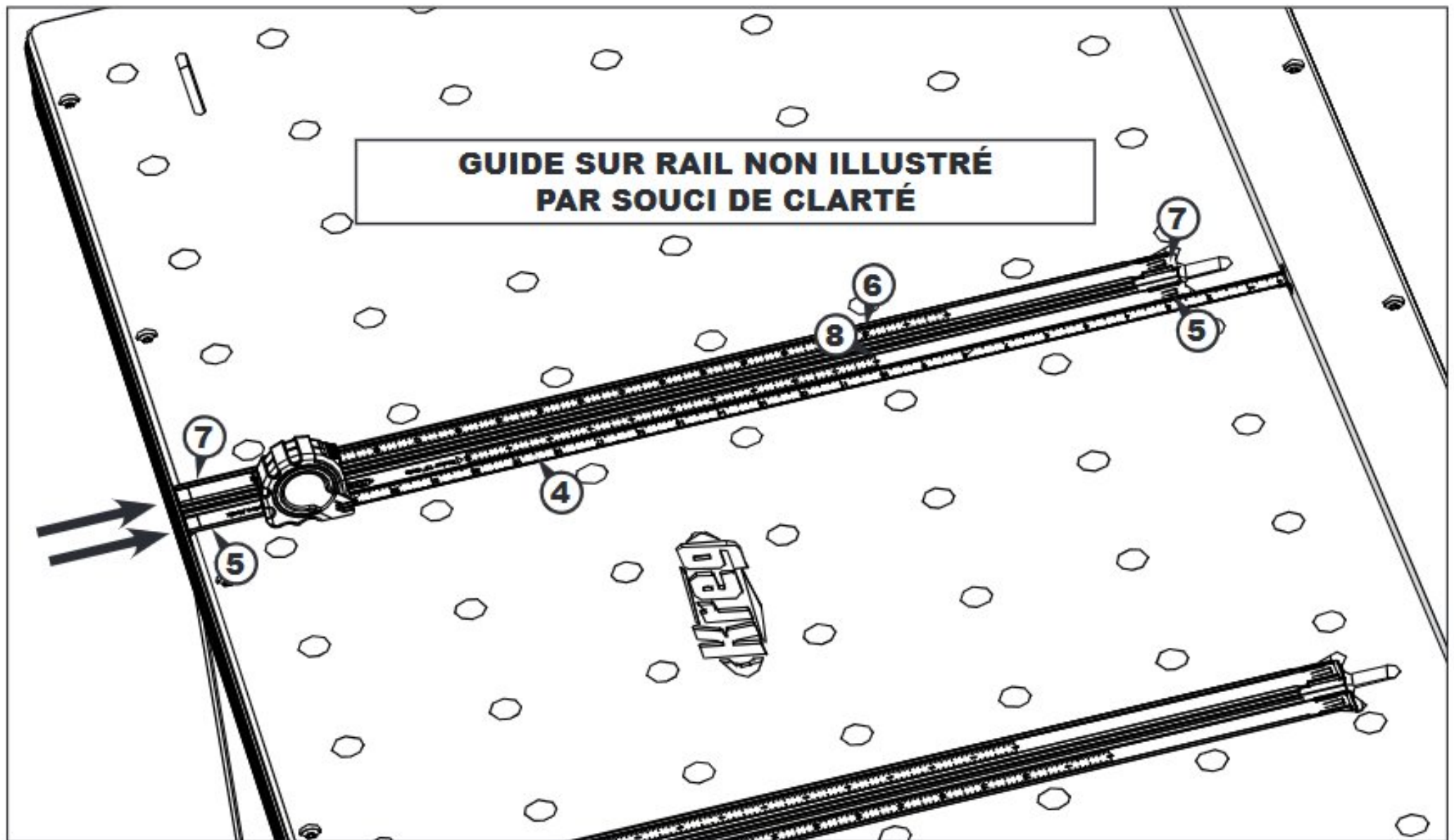
RÈGLES DE LA TABLE DE TRAVAIL

- (1) Réglez la hauteur du guide sur rail en fonction d'une épaisseur de matériau de 19,05 mm. (**Voir Réglage du guide sur rail en fonction de l'épaisseur de la pièce à travailler dans la section UTILISATION DE LA TABLE DE TRAVAIL.**)
- (2) Placez une retaille de contreplaqué de 19,05 mm (¾ po) sous le guide sur rail de façon à ce qu'elle supporte le rail sur toute sa longueur et toute sa largeur.
- (3) Réglez la profondeur de coupe de la scie à 25,4 mm, positionnez la scie sur le rail et faites un trait de scie de 6,35 mm de profondeur sur toute la longueur de la table.

AVERTISSEMENT : Reportez-vous au manuel de la scie plongeante pour en savoir plus sur l'utilisation adéquate de la scie.



RÈGLES DE LA TABLE DE TRAVAIL



- (4) Faites glisser un ruban à mesurer sous le guide sur rail, fixez-le au trait de scie, puis allongez le ruban au-delà du repère de 25,4 cm.
- (5) Faites glisser une règle principale dans la rainure la plus proche de l'extrémité d'entrée (côté des poignées) de la table de travail en insérant l'extrémité portant le repère de 20,32 cm en premier. Poussez l'extrémité avant de la règle dans son verrou.
- (6) Alignez le repère de 25,4 cm de la règle principale sur le repère de 25,4 cm du ruban à mesurer.
- (7) Faites glisser une règle secondaire dans la deuxième rainure du rail en insérant l'extrémité portant le repère de 0 cm en premier et en poussant l'extrémité de la règle jusqu'à ce qu'elle s'engage dans son verrou.
- (8) Alignez le repère de 0 cm de la règle secondaire sur le repère de 25,4 cm de la règle principale.

ATTENTION : Les règles principales doivent se trouver dans les fentes de l'extrémité d'entrée (côté des poignées) de chaque rail de la table.

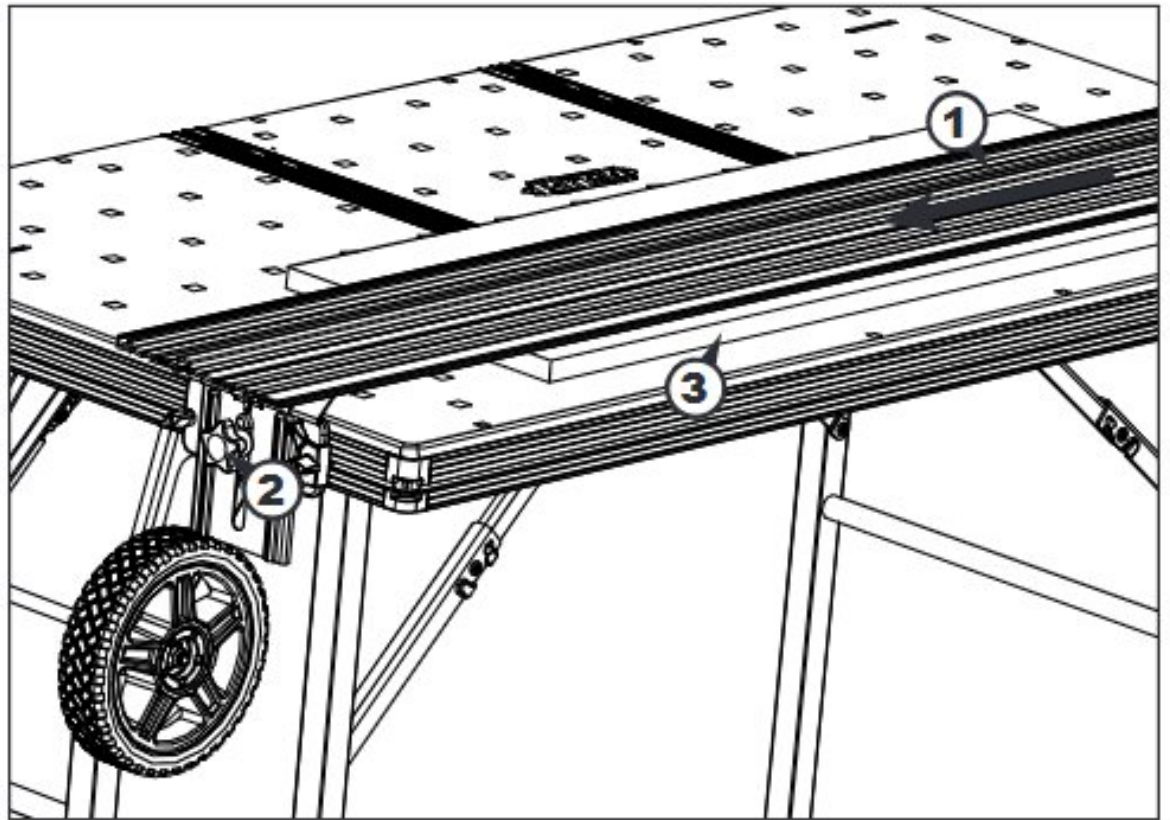
ATTENTION : Assurez-vous d'étalonner les règles des deux rails de la table.

Répétez ces étapes pour installer les règles restantes dans l'autre rail de la table de travail.

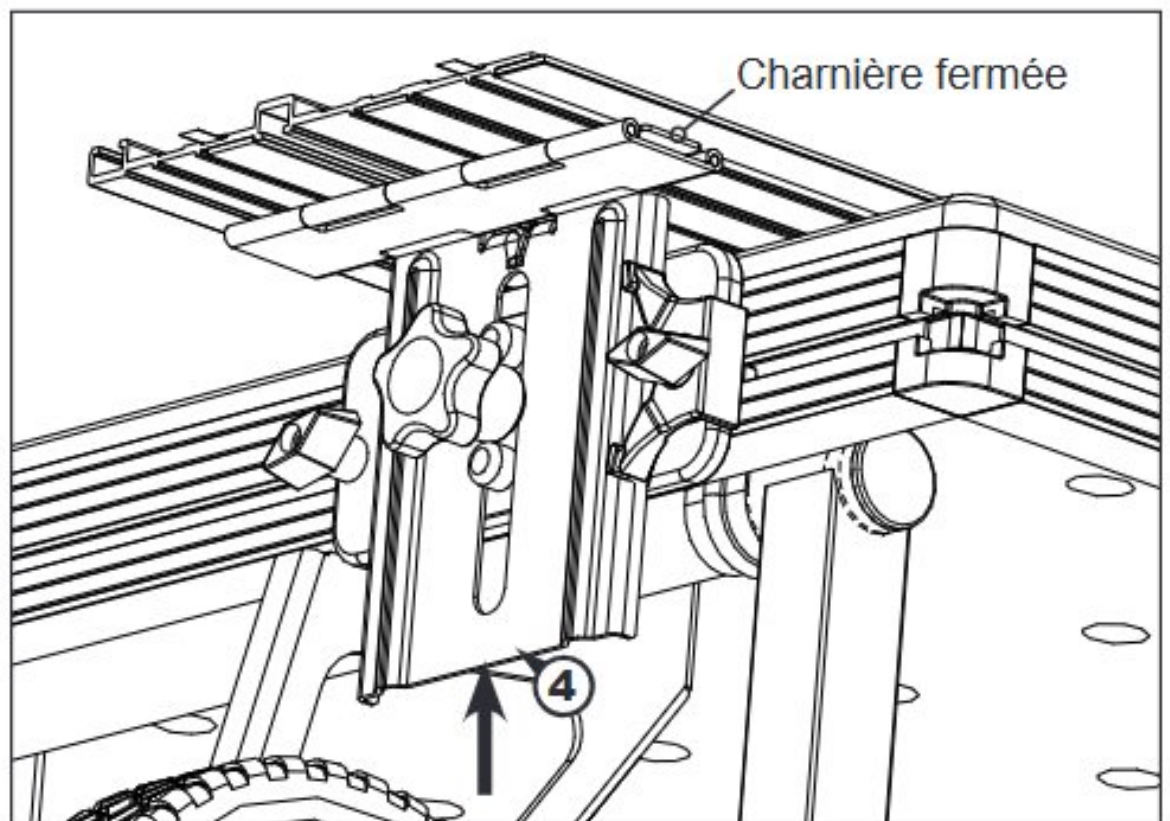
UTILISATION DE LA TABLE DE TRAVAIL

Réglage du guide sur rail en fonction de l'épaisseur de la pièce à travailler

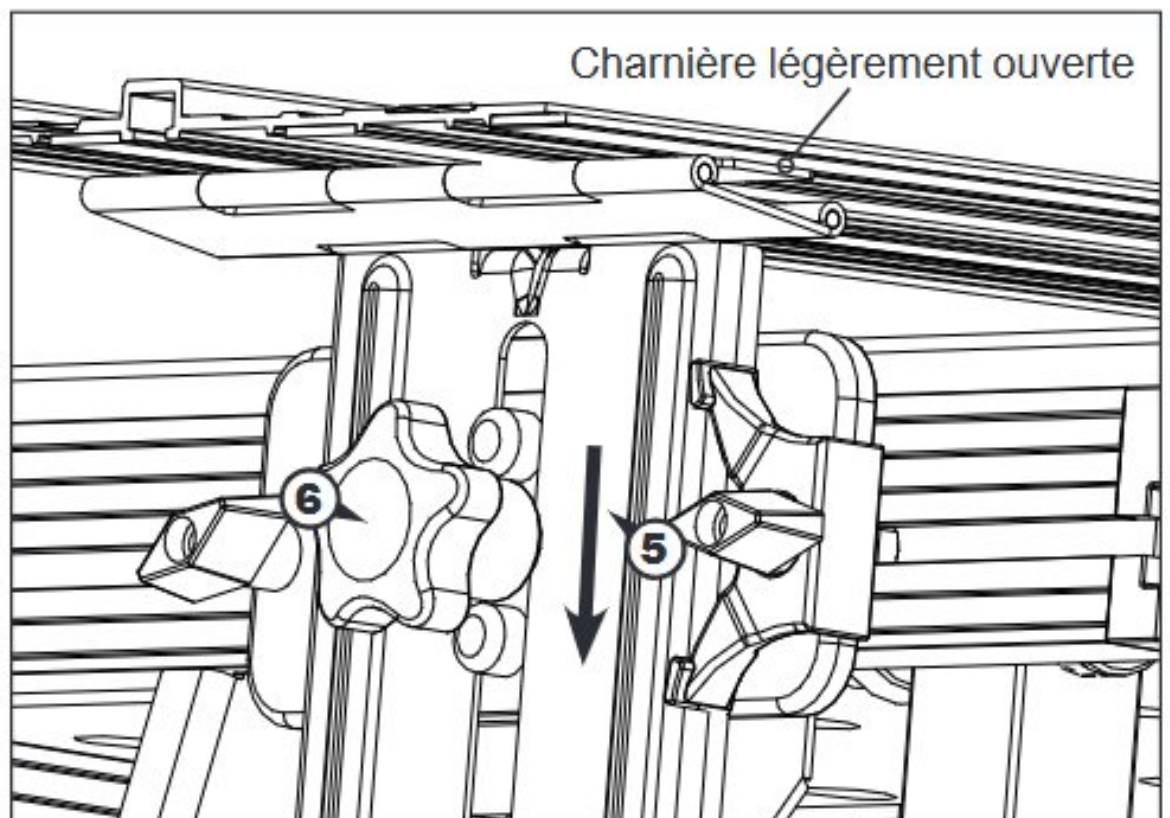
- (1) Soulevez le guide sur rail lorsque vous le déplacez en direction de l'extrémité de sortie afin de fermer complètement les charnières.
- (2) Desserrez le bouton étoile des deux plaques de montage et abaissez le rail sur la table. Laissez les boutons desserrés.
- (3) Placez la pièce à travailler sous le guide sur rail.



- (4) Pour les pièces de 12,7 mm d'épaisseur et les pièces plus épaisses, relevez la charnière de l'une des extrémités à la verticale pour la fermer complètement.



- (5) Abaissez la charnière à la verticale de 3,17 mm à 6,35 mm pour l'ouvrir légèrement.
- (6) Serrez le bouton étoile. Répétez ces étapes pour l'autre extrémité.



ATTENTION : Abaisser légèrement la charnière à la verticale permet de vous assurer que le guide sur rail repose sur la pièce à travailler et que les bandes antidérapantes sont bien appuyées sur la pièce à travailler.

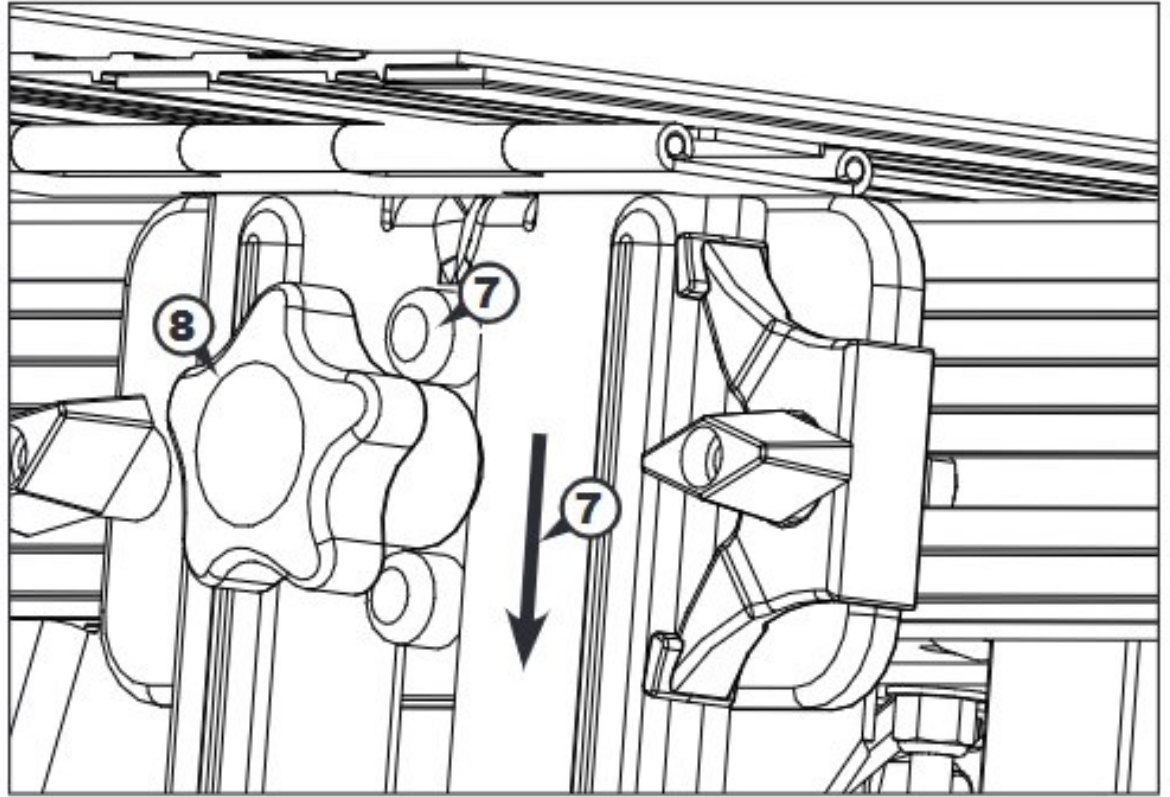
UTILISATION DE LA TABLE DE TRAVAIL

(7) Pour les pièces de moins de 12,7 mm d'épaisseur, abaissez la charnière à la verticale jusqu'à ce que le haut de l'encoche soit appuyé contre le taquet supérieur de la plaque de montage de la charnière.

(8) Serrez le bouton étoile. Répétez ces étapes pour l'autre extrémité.

BUTÉES POLYVALENTES

Utilisez les butées polyvalentes courtes sous le guide sur rail pour positionner les pièces à travailler jusqu'à une épaisseur minimale de 6,35 mm. Les butées polyvalentes longues dépassent des pièces de 19,05 cm d'épaisseur afin de vérifier facilement l'alignement de la pièce. Les butées polyvalentes ne peuvent pas être placées sous le guide sur rail lors de la coupe de matériaux de moins de 6,35 mm d'épaisseur.



COUPES À 90°

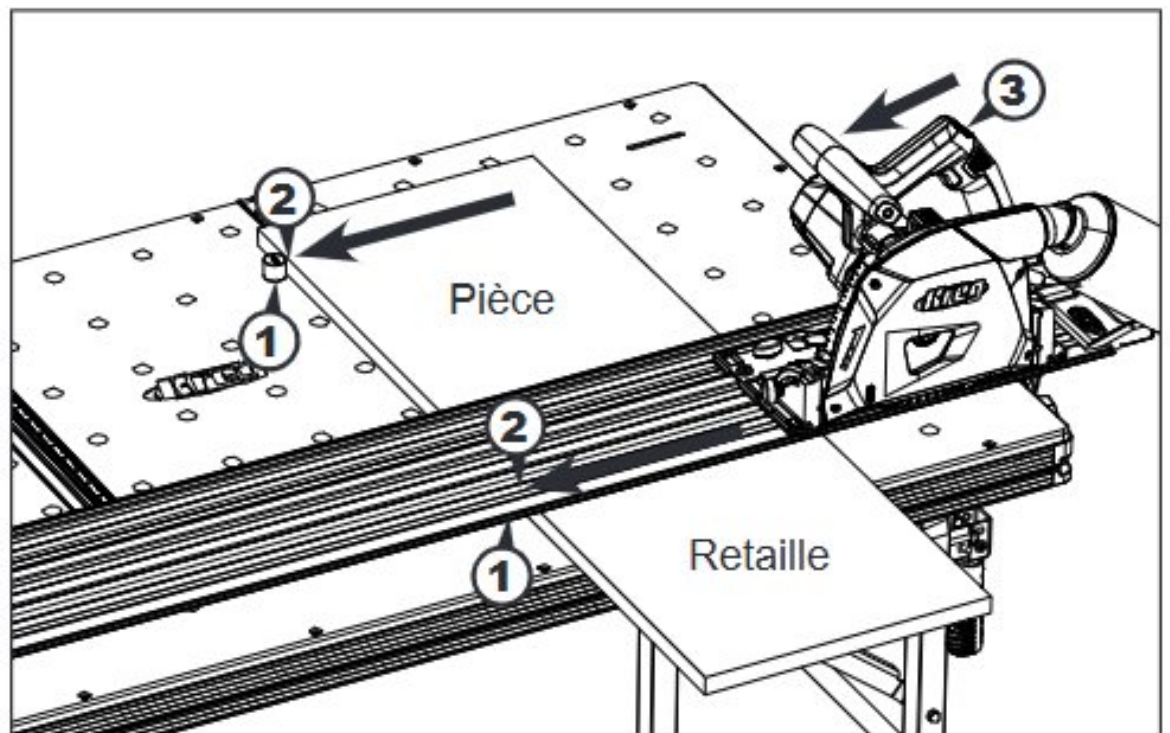
(1) Placez deux butées polyvalentes dans les trous d'une rangée perpendiculaire au guide sur rail en les éloignant autant que la pièce à travailler le permet.

ATTENTION: Pour les pièces de 6,35 mm d'épaisseur ou les pièces plus épaisses, une butée polyvalente courte doit être placée sous le guide sur rail, aussi près que possible de la ligne de coupe.

(2) Placez le bord de la pièce à travailler contre les butées polyvalentes, sous le guide sur rail.

(3) Abaissez le guide sur rail sur la pièce à travailler, puis effectuez la coupe.

ATTENTION: Lorsque vous suivez les instructions pour les coupes à 90°, vérifiez l'étalonnage des règles de la table de travail en plaçant une butée répétitive au repère de 25,4 cm et en effectuant une coupe d'essai. (Voir **Butées répétitives**.) Mesurez la pièce à travailler et apportez les ajustements nécessaires aux règles de la table de travail.



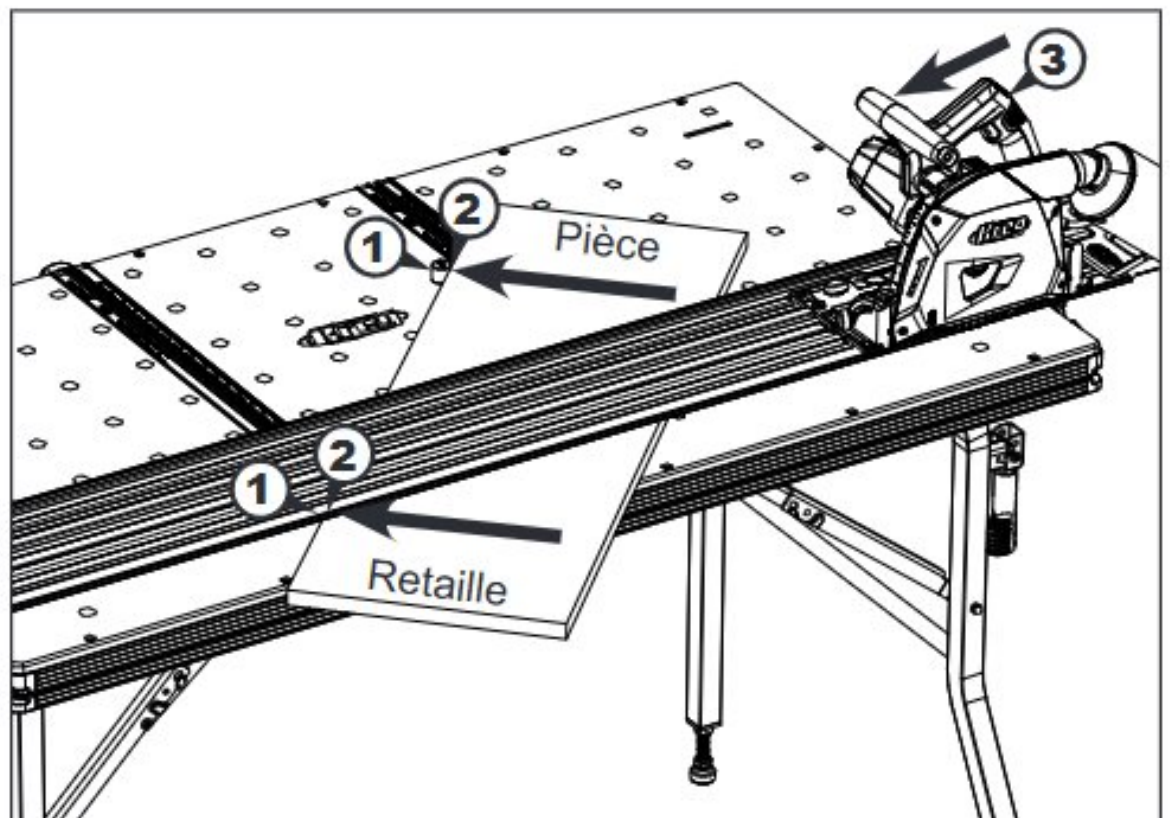
COUPES À 45°

(1) Placez deux butées polyvalentes dans les trous d'une rangée à la diagonale du guide sur rail en les éloignant autant que la pièce à travailler le permet.

ATTENTION: Pour les pièces de 6,35 mm d'épaisseur ou les pièces plus épaisses, une butée polyvalente courte doit être placée sous le guide sur rail, aussi près que possible de la ligne de coupe.

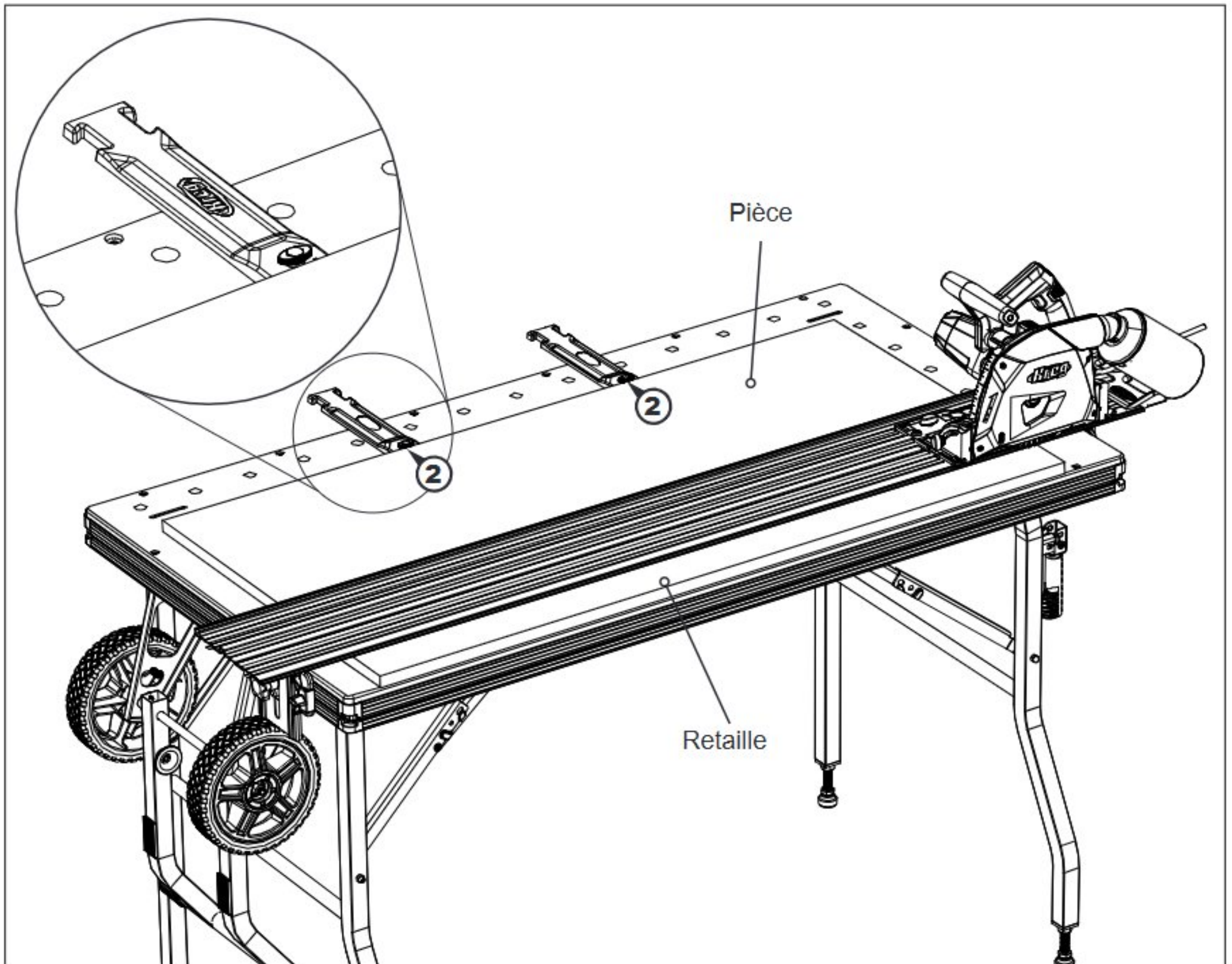
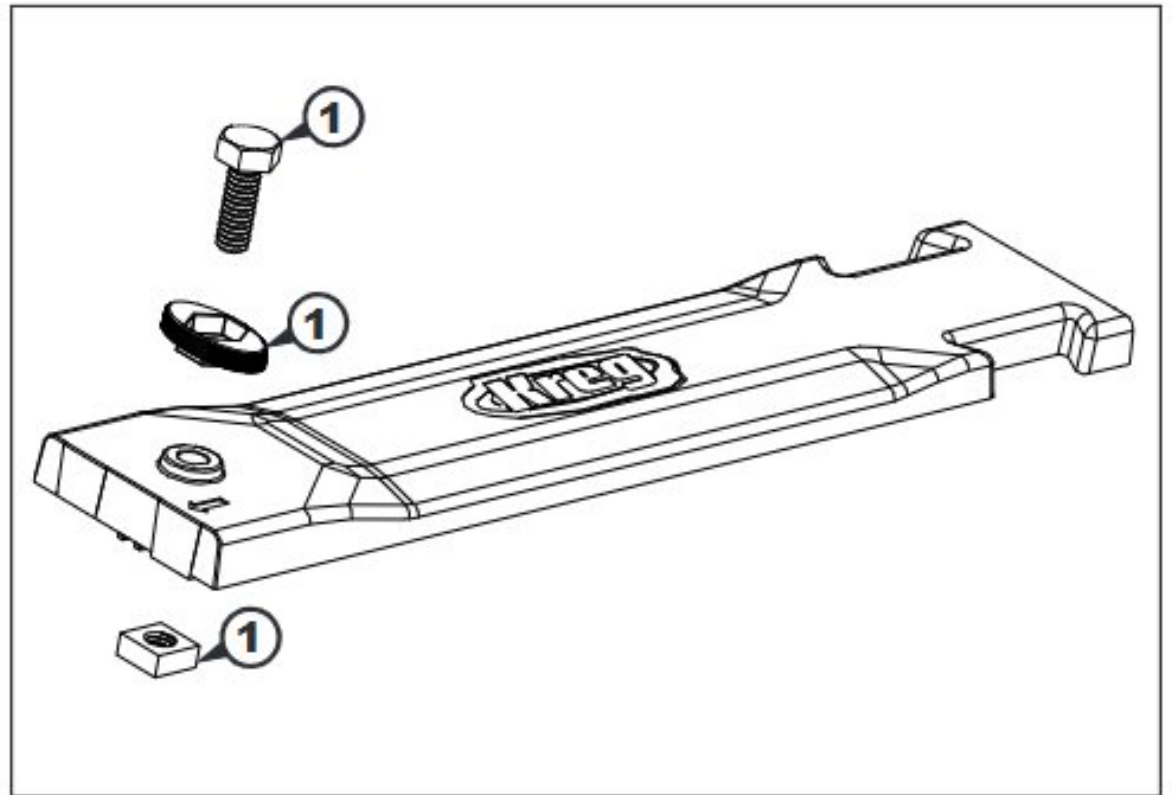
(2) Placez le bord de la pièce à travailler contre les butées polyvalentes, sous le rail.

(3) Abaissez le guide sur rail sur la pièce à travailler, puis effectuez la coupe.



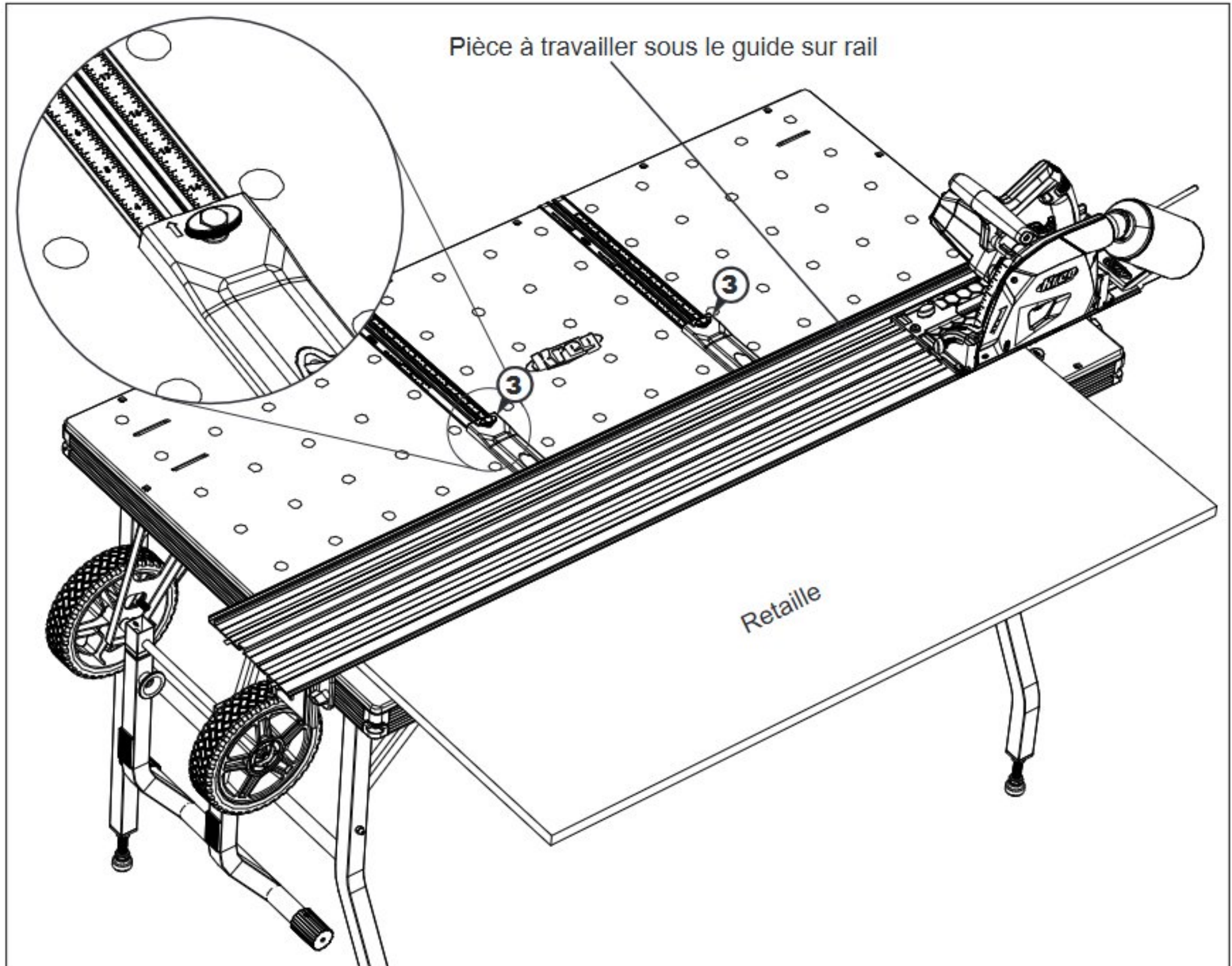
BUTÉES RÉPÉTITIVES

(1) Installez un boulon noir à tête hexagonale, un bouton et un écrou carré sur les butées répétitives. Serrez les assemblages de façon à ce que la tête des boulons s'enfonce dans les boutons, puis desserrez-les d'un demi-tour à un tour. Faites glisser les écrous carrés dans les fentes en T de la table de travail.



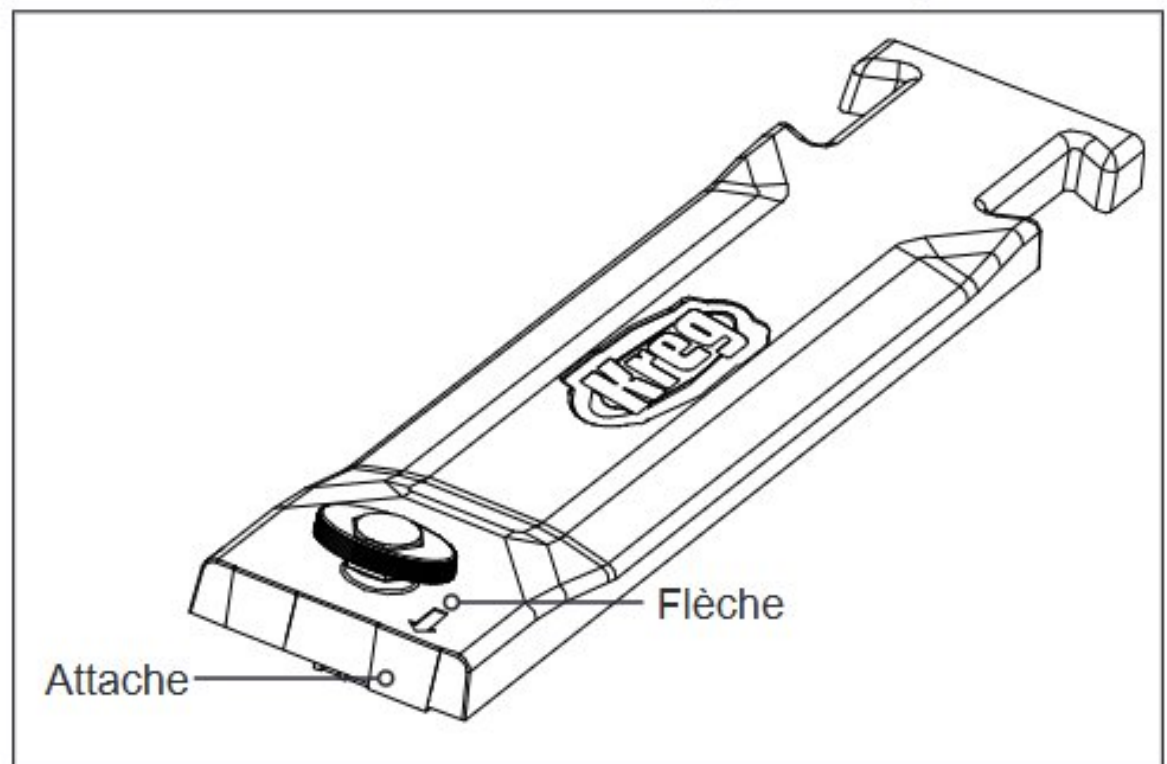
(2) Pour effectuer des coupes de 20,32 cm à 63,5 cm de large, orientez la butée, le bouton vers l'intérieur, en alignant son extrémité sur le repère de la règle principale correspondant à la dimension de coupe souhaitée.

BUTÉES RÉPÉTITIVES



(3) Pour effectuer des coupes de 2,54 cm à 20,32 cm de large, orientez la butée, le bouton vers l'extérieur, en alignant son extrémité sur le repère de la règle secondaire correspondant à la dimension de coupe souhaitée. Pour les coupes de moins de 17,78 cm de large, les extrémités des butées viendront se loger sous le guide sur rail.

ATTENTION : Quelle que soit l'orientation de la butée répétitive, alignez toujours l'onglet indiqué par une flèche qui se trouve à l'extrémité de la butée sur le repère de la règle principale ou secondaire correspondant à la dimension de coupe souhaitée. L'onglet indique toujours la mesure de la bonne règle.



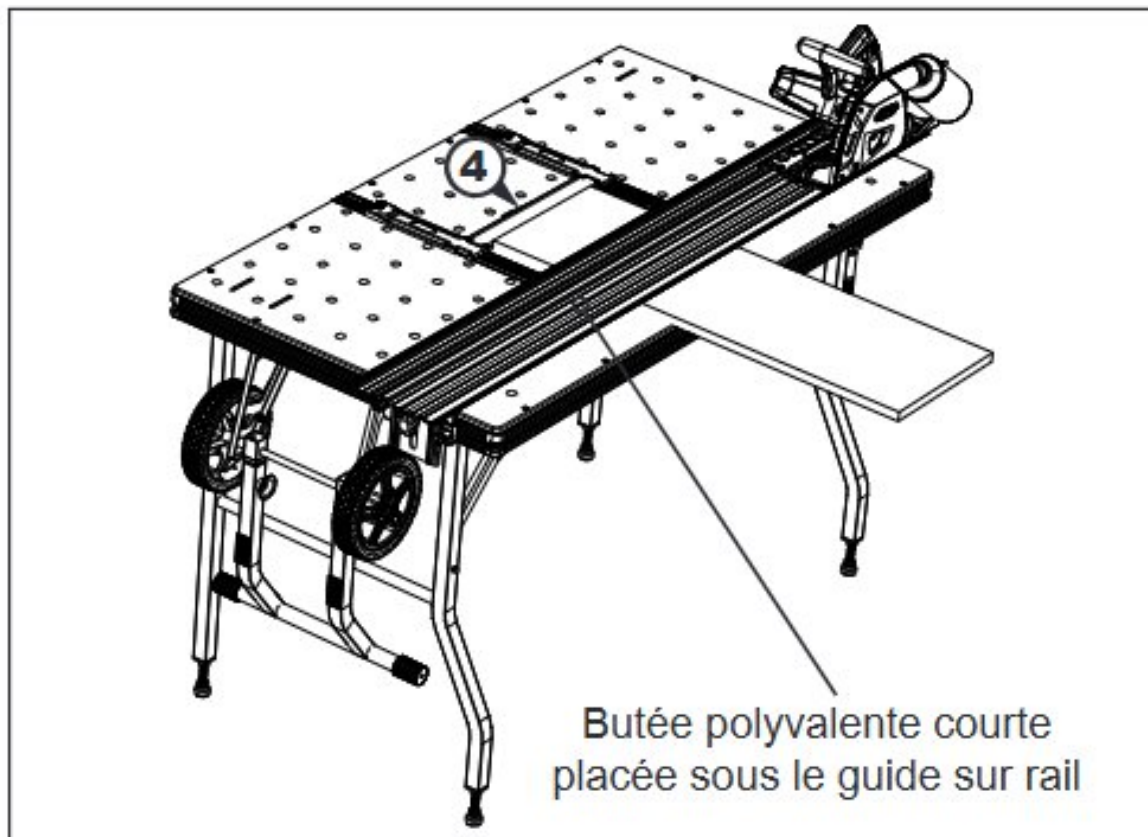
BUTÉES RÉPÉTITIVES

- (4) Lorsque vous coupez des pièces courtes, installez la barre de raccord entre les butées répétitives. Utilisez les règles pour positionner chaque butée. Ne vous fiez pas à la barre de raccord pour aligner les butées. Lorsque vous réglez la position des butées raccordées, déplacez les deux butées simultanément pour éviter de les coincer.

ATTENTION : Les goupilles en queue d'aronde des extrémités de la barre de raccord et les fentes du corps des butées sont effilées. Installez et retirez la barre de raccord par le haut.

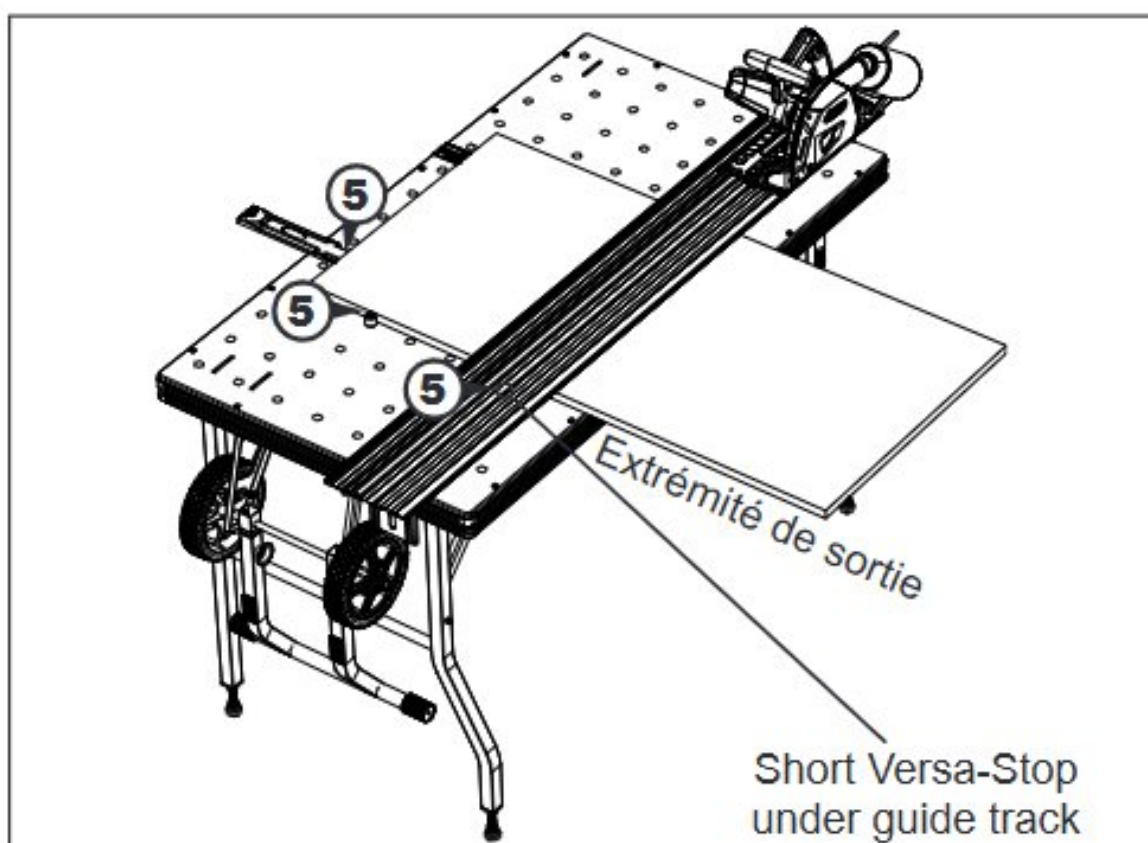
ATTENTION : Utilisez la barre de raccord pour retenir les pièces à travailler de 7,62 cm à 40,64 cm de long. Soutenez le guide sur rail avec des retailles de la même épaisseur que la pièce à travailler lorsque vous coupez une pièce de moins de 40,64 cm de long ou de moins de 12,7 cm de large.

ATTENTION : Lorsque vous effectuez des coupes de moins de 2,54 cm de largeur, soutenez le rail de guidage avec des retailles de la même épaisseur que la pièce pour éviter que le rail ne bascule ou ne dévie, et soyez prudent lors de la coupe. Ne tentez pas de couper une pièce de moins de 7,62 cm de long.



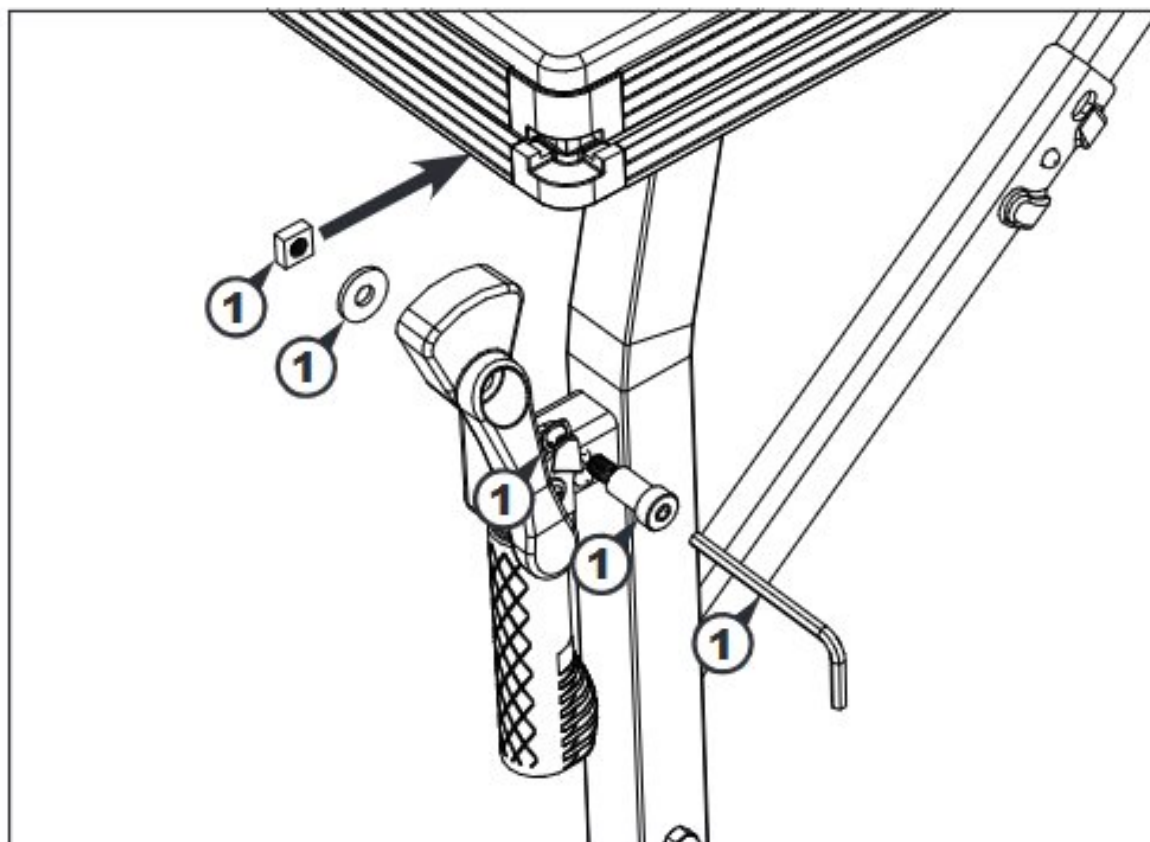
- (5) Lorsque vous effectuez une coupe, assurez-vous de toujours avoir trois points d'appui en utilisant deux butées répétitives et une butée polyvalente ou une butée répétitive et deux butées polyvalentes. Placez toujours au moins une butée polyvalente à l'extrémité de sortie de la pièce à travailler pour contrer la force de poussée exercée par la scie.

ATTENTION : Pour les grandes pièces, utilisez deux butées polyvalentes très espacées pour aligner la pièce à travailler lorsque vous la glissez sous le rail.

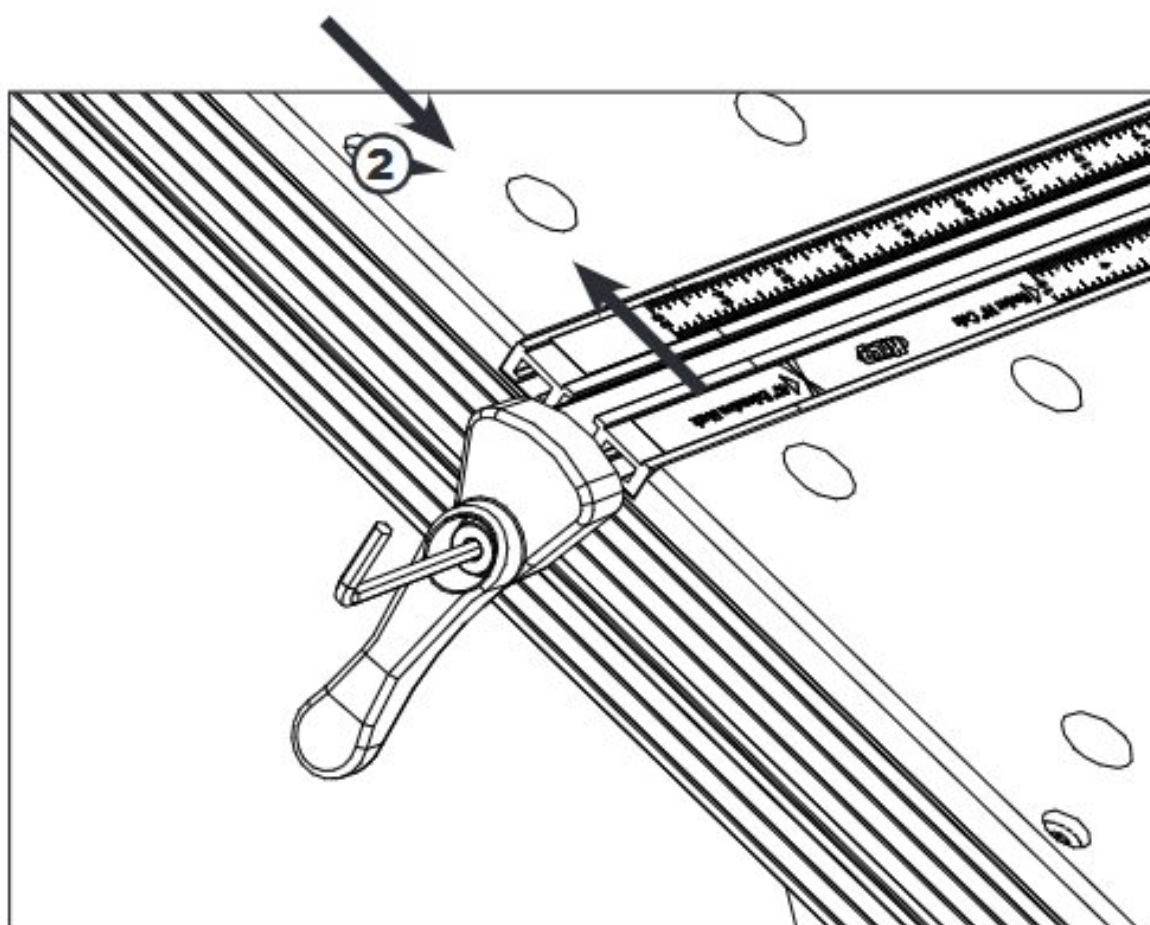


BUTÉE EXTENSIBLE DE 121,92 CM

- (1) Assemblez le boulon à épaulement, la rondelle ondulée, la poignée à came, la rondelle et l'écrou en T à l'aide de la clé hexagonale fournie, puis faites glisser l'écrou dans la fente en T du rail périphérique de la table de travail.



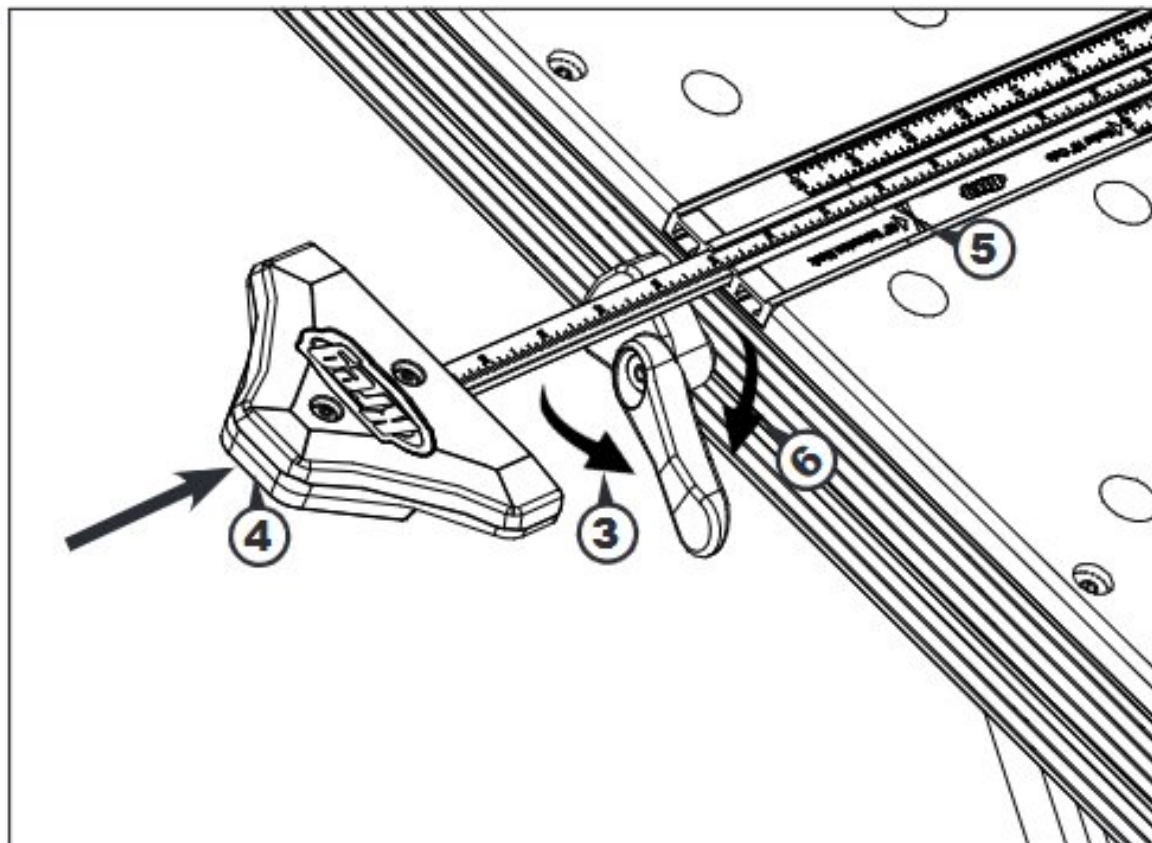
- (2) En tenant la poignée à came à la verticale, centrez celle-ci sous la fente en T du rail de la table, puis serrez le boulon.



ATTENTION : Utilisez toujours le rail de la table situé aussi près que possible de l'extrémité d'entrée de la table, dans la mesure où la pièce à travailler le permet.

BUTÉE EXTENSIBLE DE 121,92 CM

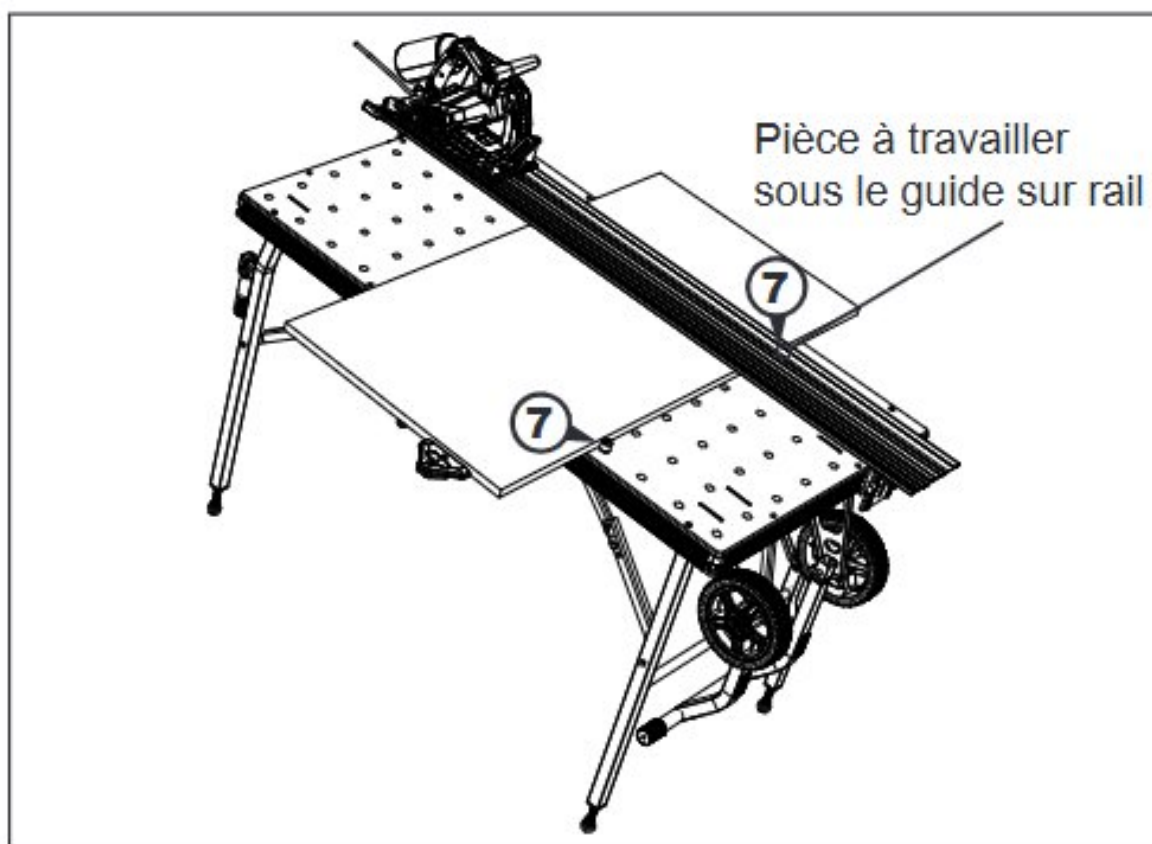
- (3) Faites pivoter la poignée à came d'un côté.
- (4) Faites glisser la rallonge dans la fente en T.
- (5) Alignez la dimension souhaitée de la butée extensible de 121,92 cm sur le repère de butée extensible de 121,92 cm de la règle secondaire du rail de la table.
- (6) Tournez la poignée à came pour fixer la butée en place.



ATTENTION : Ne tournez pas la poignée à came plus qu'il n'en faut pour verrouiller la rallonge. Il n'est pas nécessaire de la placer en position verticale.

- (7) Installez deux butées polyvalentes à l'extrémité de sortie de la pièce à travailler pour empêcher celle-ci de bouger, puis effectuez la coupe.

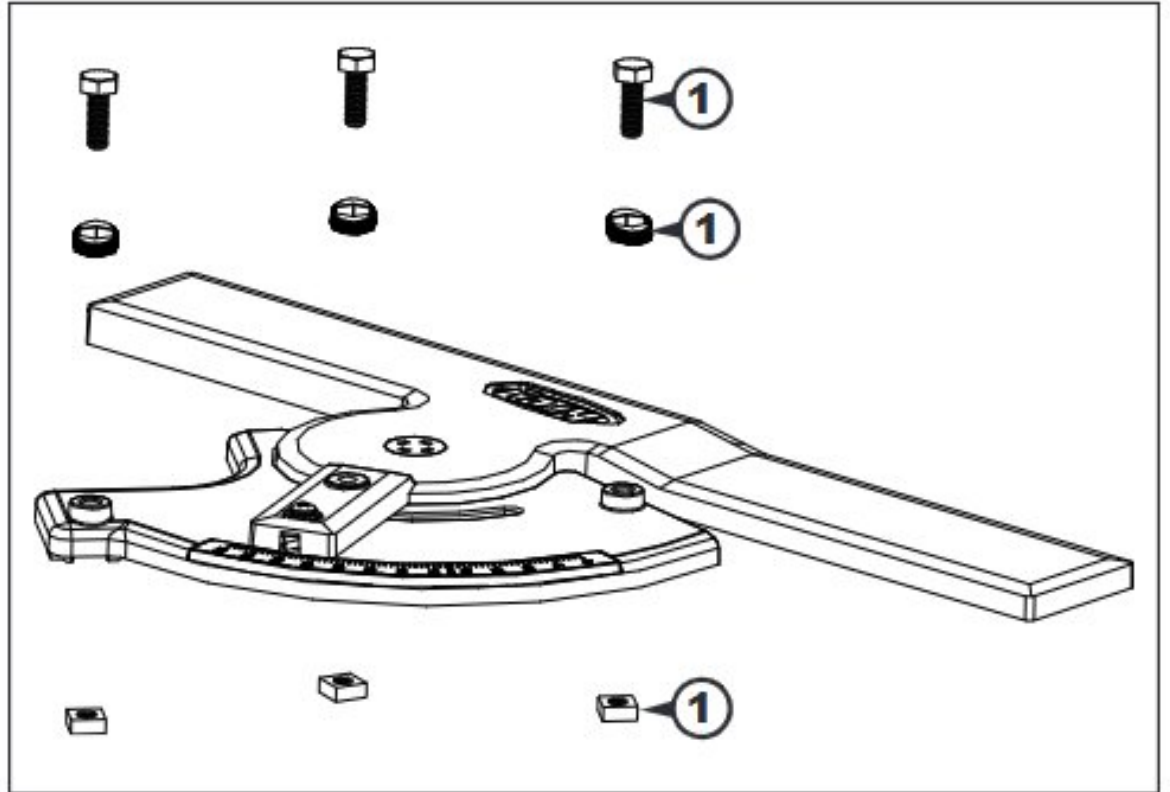
ATTENTION : Lorsque vous positionnez une pièce à travailler, commencez toujours par l'appuyer contre les butées polyvalentes, puis faites-la glisser de côté jusqu'à ce qu'elle soit appuyée contre la rallonge de 121,92 cm. Les butées polyvalentes peuvent supporter une pression importante, contrairement à la rallonge.



GUIDE D'ONGLET

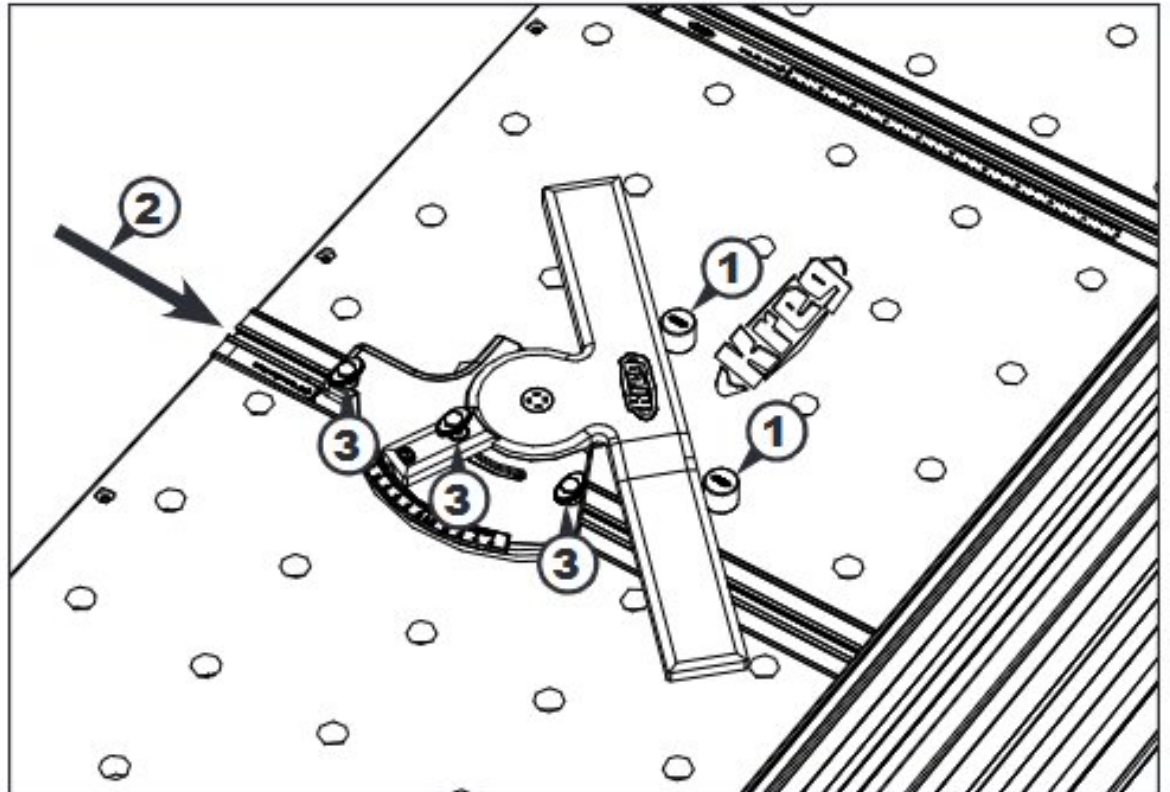
Assemblage

- (1) Installez trois boulons noirs à tête hexagonale, trois boutons et trois écrous carrés sur le guide. Serrez les assemblages de façon à ce que la tête des boulons s'enfonce dans les boutons, puis desserrez-les d'un demi-tour à un tour.

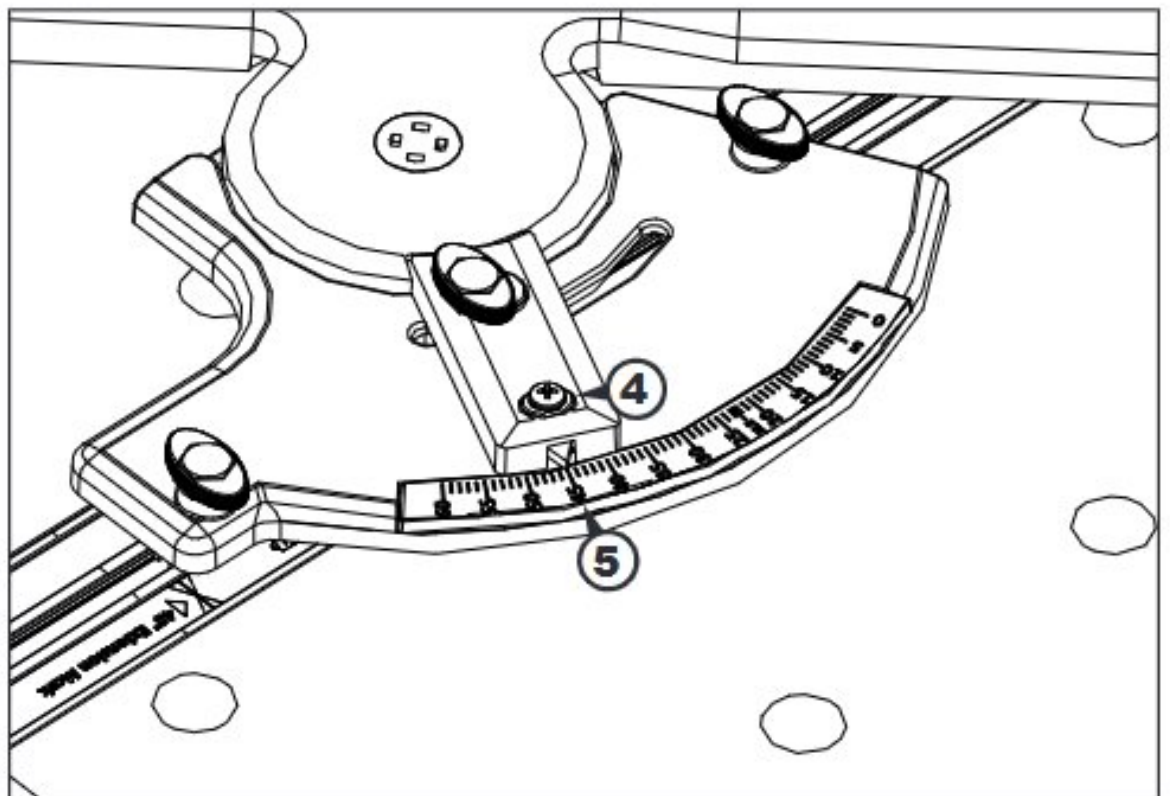


Réglage

- (1) Placez deux butées polyvalentes dans une rangée de trous diagonale à un angle de 45°.
- (2) Avec le guide réglable orienté vers l'extrémité d'entrée de la table, faites glisser les deux écrous carrés d'ancrage de la base dans une fente en T du rail de la table jusqu'à ce que le guide touche les deux butées polyvalentes.
- (3) Maintenez le guide en place et serrez les trois boutons.



- (4) Desserrez la vis du pointeur à l'aide d'un tournevis cruciforme.
- (5) Alignez le pointeur sur le repère de 45° du rapporteur d'angle. Tenez fermement le pointeur aligné sur le repère et resserrez la vis.



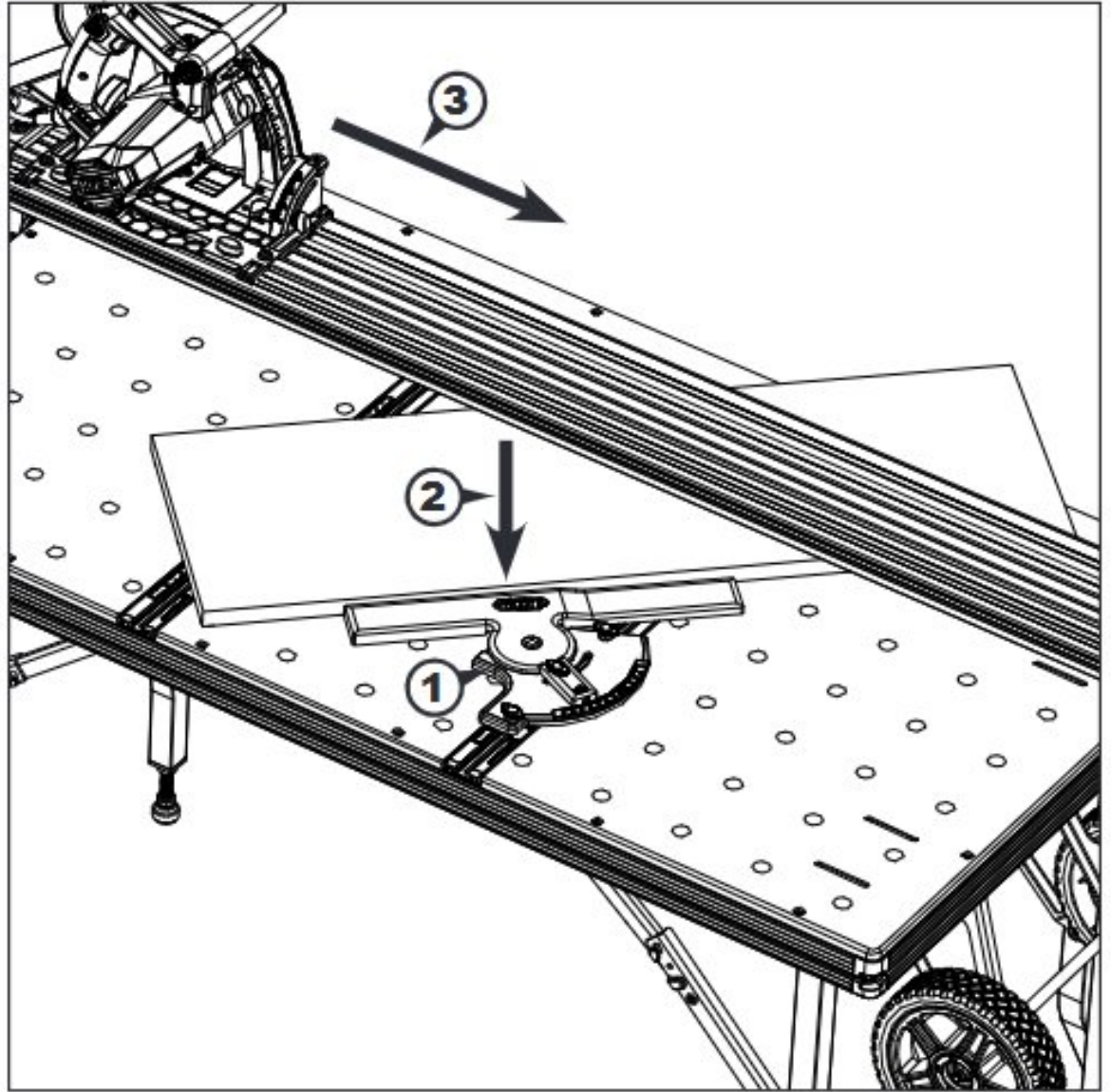
GUIDE D'ONGLET

Utilisation du guide d'onglet

- (1) Installez le guide d'onglet sur le rail de la table en orientant le guide réglable vers l'extrémité d'entrée de la table. La largeur de la pièce à travailler détermine le rail qu'il faut utiliser. Placez le guide d'onglet le plus près possible du guide sur rail.
- (2) Positionnez la pièce sous le guide sur rail et contre le guide réglable de l'onglet. Appliquez une pression modérée au centre du guide d'onglet pour éviter de dérégler le guide réglable.
- (3) Abaissez le guide sur rail sur la pièce à travailler, puis effectuez la coupe.

ATTENTION : Positionnez toujours le guide d'onglet de sorte que la pression de coupe soit dirigée vers le guide et non à l'encontre de celui-ci.

ATTENTION : Pour obtenir de meilleurs résultats lorsque vous effectuez des coupes à 90° et à 45°, n'utilisez pas le guide d'onglet. Positionnez la pièce à l'aide des butées polyvalentes. (Voir **Butées polyvalentes**.)

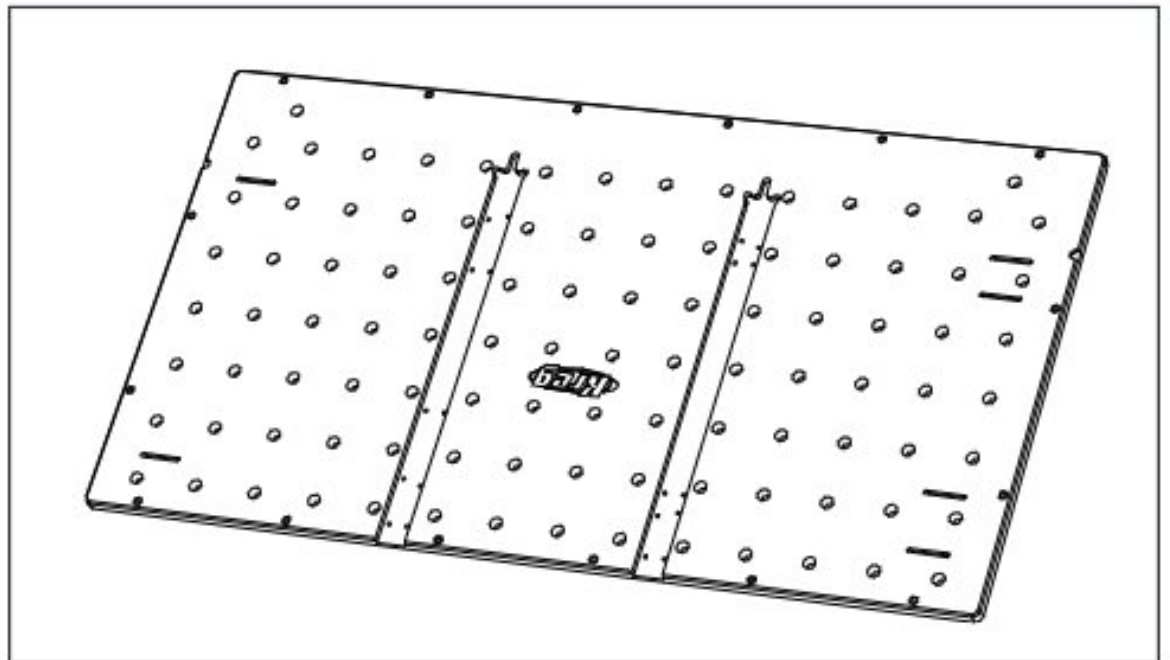


PIÈCE DE RECHANGE

Plateau de rechange pour la table de travail ACS

Remplacez une surface de travail usée ou endommagée par un nouveau plateau usiné avec précision.

Communiquez avec un détaillant d'articles ACS ou avec le service à la clientèle de Kreg, ou encore visitez le site Kregtool.com



PARLEZ-NOUS DE VOTRE EXPÉRIENCE. VOTRE OPINION EST IMPORTANTE POUR NOUS.

Nous cherchons toujours à améliorer les produits Kreg® et à nous assurer que vous soyez satisfait lorsque vous les utilisez pour effectuer vos projets de construction afin de rendre votre expérience agréable.

Vous pouvez nous aider en nous faisant part de vos commentaires au www.kregtool.com/feedback.

Cela ne prend que quelques minutes, et vos commentaires nous aideront à créer des produits et à fournir des services qui répondront mieux à vos besoins.

PAUTAS GENERALES DE SEGURIDAD

⚠ Advertencia: lea todas las instrucciones, ilustraciones, especificaciones y advertencias seguridad que se incluyen con este producto. No cumplir con todas las instrucciones que se detallan a continuación podría provocar descargas eléctricas, incendios o lesiones graves.
GUARDE TODAS LAS ADVERTENCIAS E INSTRUCCIONES PARA REFERENCIA FUTURA.

El término "herramienta eléctrica" que aparece en las advertencias se refiere a la herramienta eléctrica que se conecta a la línea principal (con cable) o a la herramienta eléctrica que funciona con batería (inalámbrica).

NOTA: "línea principal" es el término oficial de UL para "servicio de red eléctrica", que se refiere al suministro de red eléctrica que se entrega a los clientes y al cual se puede acceder a través del tomacorriente de pared.

1) Seguridad en el área de trabajo

- Mantenga el área de trabajo limpia y bien iluminada. Las áreas desordenadas u oscuras aumentan las posibilidades de accidentes.
- No utilice herramientas eléctricas en atmósferas en las que exista riesgo de explosión, como en presencia de líquidos inflamables, gases o polvo. Las herramientas eléctricas producen chispas que podrían encender el polvo o los gases.
- Mantenga a los niños y transeúntes alejados durante la operación de una herramienta eléctrica. Las distracciones pueden hacerle perder el control.

2) Seguridad eléctrica

- Los enchufes de las herramientas eléctricas deben encajar en el tomacorriente. No modifique el enchufe de ninguna manera. No utilice ningún enchufe adaptador con herramientas eléctricas con puesta a tierra. Los enchufes sin modificaciones y que encajan en los tomacorrientes reducen el riesgo de descarga eléctrica.
- Evite el contacto del cuerpo con superficies con puesta a tierra, como tuberías, radiadores, estufas y refrigeradores. También puede sufrir una descarga eléctrica si su cuerpo tiene conexión a tierra.
- No exponga las herramientas eléctricas a la lluvia o a condiciones de humedad. Si ingresa agua en una herramienta eléctrica, el riesgo de descarga eléctrica aumentará.
- No maltrate el cable. Nunca use el cordón para transportar, jalar ni desenchufar la herramienta eléctrica. Mantenga el cordón alejado del calor, el aceite, los bordes filosos o las piezas en movimiento. Los cables dañados o enredados aumentan el riesgo de descarga eléctrica.
- Cuando utilice una herramienta eléctrica en exteriores, use una extensión eléctrica adecuada para uso en exteriores. Usar un cable apto para exteriores reduce el riesgo de sufrir una descarga eléctrica.
- Si no puede evitar utilizar una herramienta eléctrica en un área húmeda, use un suministro protegido con un interruptor de circuito de falla de puesta a tierra (GFCI, por sus siglas en inglés). Usar un interruptor GFCI disminuye el riesgo de descarga eléctrica.

3) Seguridad personal

- Manténgase alerta, observe lo que hace y actúe con sentido común mientras usa una herramienta eléctrica. No use una herramienta eléctrica si está cansado o bajo los efectos de drogas, alcohol o medicamentos. Un momento de desatención mientras opera herramientas eléctricas puede provocar lesiones personales graves.
- Use un equipo de protección personal. Use siempre lentes de protección. Los equipos de protección, como mascarillas antipolvo, zapatos de seguridad antideslizantes, casco protector o protección auditiva utilizados para las condiciones adecuadas disminuyen las lesiones personales.
- Evite un arranque accidental. Asegúrese de que el interruptor esté en la posición de apagado antes de conectar la herramienta a la fuente de alimentación o al paquete de baterías, o antes de levantarla o transportarla. Transportar herramientas eléctricas con el dedo en el interruptor o enchufar herramientas eléctricas que tienen el interruptor encendido aumenta las posibilidades de accidentes.

d) Retire todas las llaves de ajuste o llaves inglesas antes de encender la herramienta eléctrica. Si se deja una llave inglesa o una llave conectada a una pieza giratoria de la herramienta eléctrica, se podrían producir lesiones personales.

- No se extienda demasiado. Mantenga una postura y un equilibrio adecuados en todo momento. Esto permite un mejor control de la herramienta eléctrica en situaciones inesperadas.
- Use ropa adecuada. No use ropa holgada ni joyas. Mantenga el cabello, la ropa y los guantes lejos de las piezas en movimiento. La ropa holgada, las joyas o el cabello largo pueden quedar atrapados en las piezas en movimiento.
- Si se proporcionan dispositivos para la conexión de instalaciones de extracción y recolección de polvo, asegúrese de que se conecten y se usen debidamente. La recolección de polvo puede disminuir los peligros relacionados con el polvo.
- No permita que la familiaridad obtenida por el uso frecuente de las herramientas ocasione el olvido de los principios de seguridad de las herramientas. Un descuido puede ocasionar una lesión grave en cuestión de segundos.

4) Uso y cuidado de herramientas eléctricas

- No fuerce la herramienta eléctrica. Use la herramienta eléctrica adecuada para la tarea. La herramienta eléctrica adecuada realizará un trabajo más seguro y de mejor calidad al ritmo para el que se diseñó.
- No utilice la herramienta eléctrica si el interruptor no enciende o apaga. Cualquier herramienta eléctrica que no pueda controlarse con el interruptor es peligrosa y debe repararse.
- Desconecte el enchufe de la fuente de alimentación o retire el paquete de baterías, si es desmontable, de la herramienta eléctrica antes de realizar cualquier ajuste, cambiar los accesorios o almacenar las herramientas eléctricas. Este tipo de medidas de seguridad preventiva reduce el riesgo de arranques accidentales de la herramienta.
- Almacene las herramientas eléctricas que no estén en uso fuera del alcance de los niños y no permita que personas no familiarizadas con la herramienta o estas instrucciones la operen. Las herramientas eléctricas son peligrosas en manos de usuarios sin capacitación.
- Realice mantenimiento a las herramientas eléctricas y a los accesorios. Revise si hay desalineación o agarrotamiento de piezas móviles o si están rotas, así como cualquier otra condición que pueda afectar la operación de la herramienta eléctrica. Si se daña la herramienta eléctrica, hágala reparar antes de usarla. Muchos accidentes son producto del mantenimiento incorrecto de las herramientas eléctricas.
- Mantenga las herramientas de corte afiladas y limpias. Las herramientas de corte que se mantienen adecuadamente, con sus bordes de corte afilados, son menos propensas a trabarse y son más fáciles de controlar.
- Mantenga los mangos y las superficies de agarre secas, limpias y libres de aceite y grasa. Los mangos y las superficies de agarre resbaladizos no permiten manipular ni controlar la herramienta de forma segura en situaciones inesperadas.

5) Reparación

- Permita que solo una persona capacitada repare la herramienta eléctrica, usando solo piezas de repuesto idénticas. De esta manera, mantendrá la seguridad de la herramienta eléctrica.

PAUTAS GENERALES DE SEGURIDAD

6) INSTRUCCIONES DE SEGURIDAD ESPECÍFICAS PARA USAR LA MESA DE PROYECTOS ACS1000

- La mesa de proyectos está diseñada para usarse solamente con la sierra Kreg (artículo #KPS6512), incluso con la sierra con perforación (artículo #ACS-SAW) como parte de la sierra con perforación + riel de guía (artículo #ACS2000) y el kit maestro (artículo #ACS3000). Antes de usar este producto, lea, comprenda y siga las instrucciones y la información de seguridad que se proporciona con la sierra.
- Siempre regule la altura del riel de guía para que coincida con el grosor de la pieza de trabajo.
- Si la pieza de trabajo es menor de 4" (102 mm) de ancho, apoye el riel de guía sobre un trozo de madera que no utilice del mismo grosor que la pieza de trabajo para evitar que el riel se incline.
- Ajuste la profundidad de corte de acuerdo con el grosor de la pieza de trabajo. Debe sobresalir menos de 1/4" (0,63 cm) del diente de la hoja por la pieza de trabajo.
- Si realiza un corte en el que la parte inútil que sobresale de la mesa es más grande que la pieza de trabajo apoyada sobre la mesa o se extiende más de 12" (30,48 cm) del borde de la mesa, apoye la parte inútil en el borde de la mesa y hacia el extremo de la parte inútil. Una parte inútil grande sin apoyo puede hacer que el riel de guía o la mesa se volteen.

Pautas para el uso de extensiones eléctricas

Las extensiones eléctricas son solo para uso temporal. No reemplazan la necesidad de instalar tomacorrientes y el cableado adecuado cuando sea necesario.

En la zona de trabajo:

- Se deben usar extensiones eléctricas con conductor de puesta a tierra del equipo en todo momento.
- Las extensiones eléctricas deben protegerse de daños y no deben tenderse a través de puertas o ventanas porque estas pueden cerrarse y dañar el cable.
- Las extensiones eléctricas deben ser de 16 AWG como mínimo y tener una clasificación adecuada para el equipo que se use.
- Las extensiones eléctricas deben inspeccionarse periódicamente para garantizar que el aislamiento y la conductividad de los conductores no se vean comprometidos.
- Las extensiones eléctricas no deben tenderse sobre agua y no se debe permitir que las conexiones estén expuestas a agua acumulada.

TABLA 1








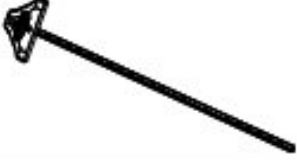






Placa de datos Amperios a 120 V	Largo de la extensión eléctrica					
	25'	50'	75'	100'	150'	200'
	Calibre de cable recomendado					
0 - 5	16	16	16	14	12	12
5.1 - 8	16	16	14	12	10	NR
8.1 - 12	14	14	12	10	NR	NR
12.1 - 16	12	12	NR	NR	NR	NR

NR: no recomendado







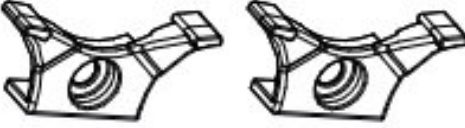








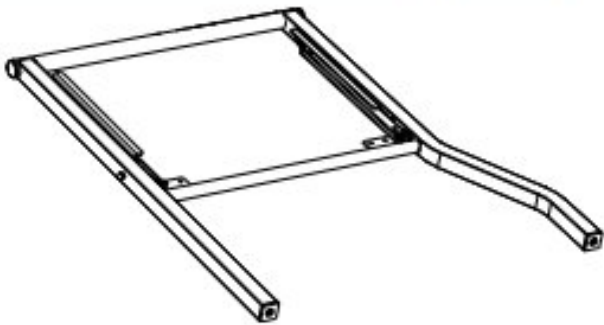
⚠ ADVERTENCIA: este producto puede exponerlo a sustancias químicas, incluidos el acrilonitrilo y otros químicos, reconocidos por el estado de California como causantes de cáncer o daños en el aparato reproductivo. Para obtener más información, visite www.P65Warnings.ca.gov.

⚠ ADVERTENCIA: los productos para taladrar, aserrar, lijar o cortar madera pueden exponerlo al polvo de madera, una sustancia reconocida por el estado de California como causante de cáncer. Evite inhalar el polvo de la madera o utilice una mascarilla antipolvo u otros artículos de protección personal. Para obtener más información, visite www.P65Warnings.ca.gov/wood.

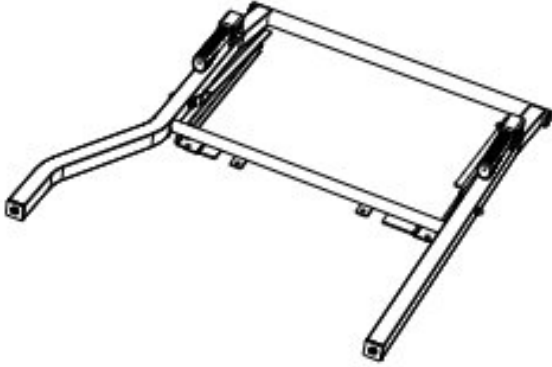
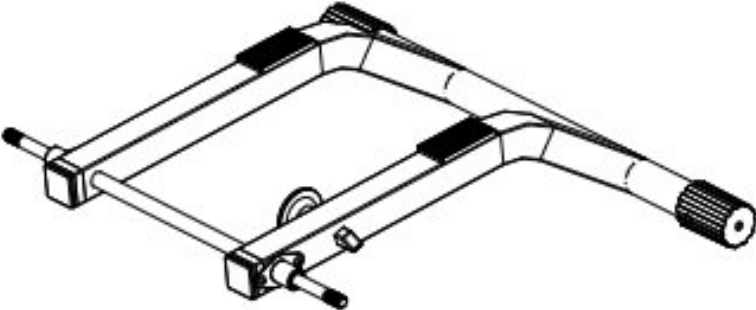
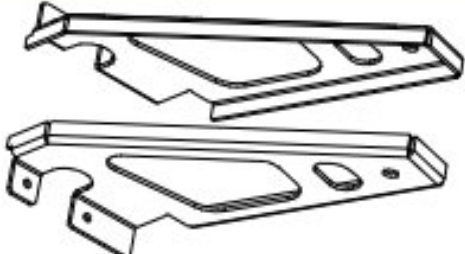


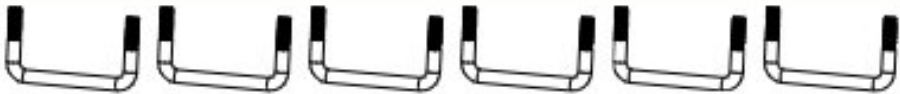


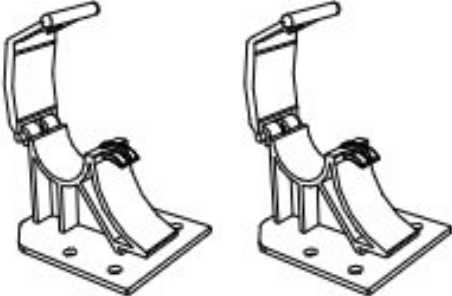


CONTENIDO DEL PAQUETE

ARTÍCULO	DESCRIPCIÓN	CANTIDAD
MESA DE PROYECTOS: SUPERFICIE		
	Manual	1
	Etiqueta con instrucciones para instalación y almacenamiento	1
	Superficie de la mesa de proyectos	1
BANDEJA PARA ACCESORIOS		
	Topes Versa largos	2
	Topes Versa cortos	2
	Topes repetitivos	2
	Barra de unión	1
	Tope de extensión de 48" (121,92 cm)	1
	Manija de leva	1
	Guía de inglete	1
CAJA 1		
	Bisagras	2
CAJA 2		
	Placas para montaje de bisagras	2
CAJA 3		
	Reglas principales	2
	Reglas secundarias	2

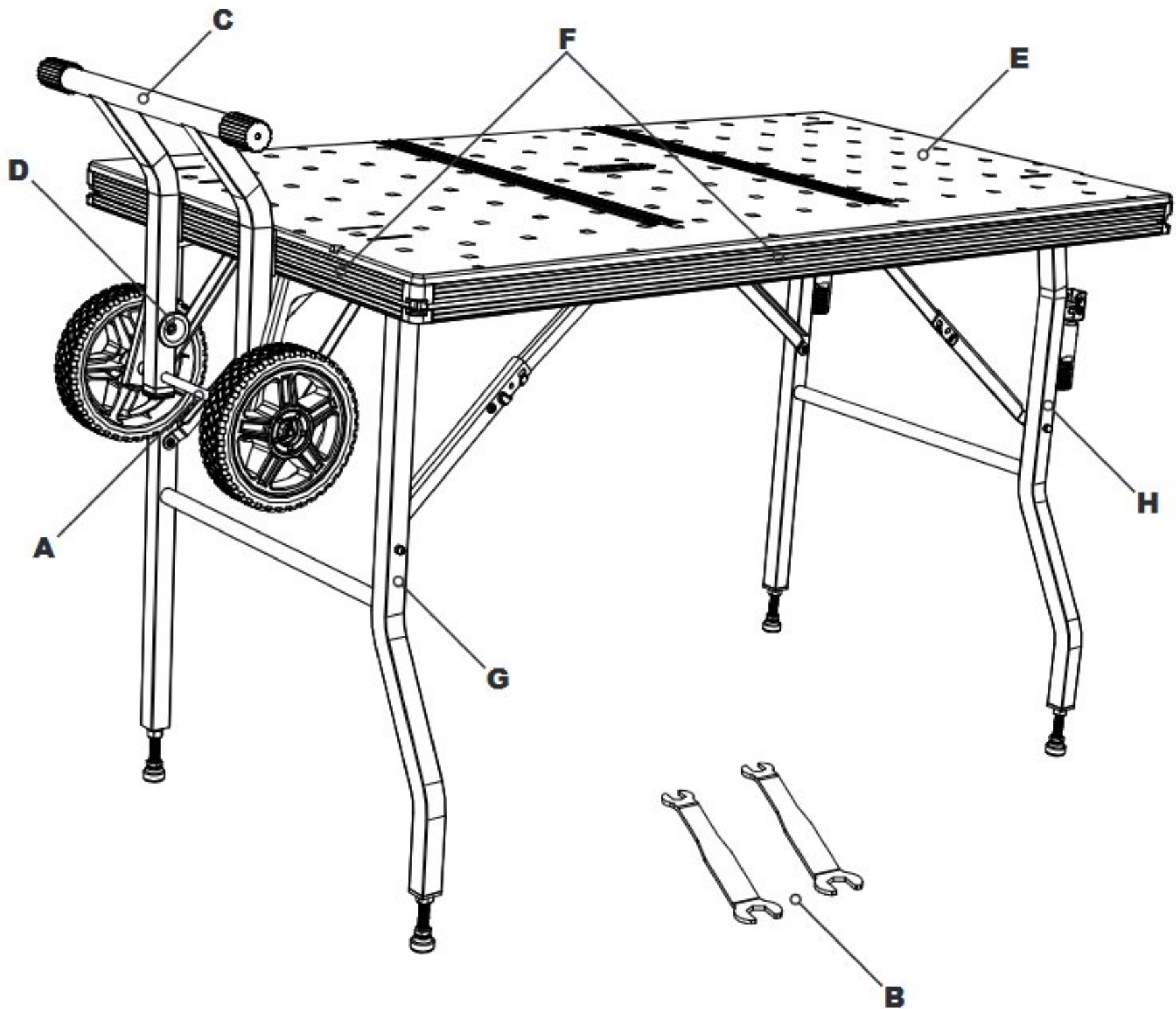
CONTENIDO DEL PAQUETE

ARTÍCULO	DESCRIPCIÓN	CANTIDAD
BOLSA DE ADITAMENTOS: PAQUETE DE ADITAMENTOS CON TOPES DE EXTENSIÓN DE 48" (121,92 CM)		
	Tuerca cuadrada	1
	Arandela ondulada	1
	Perno de hombro	1
	Arandela plana	1
BOLSA DE ADITAMENTOS: PAQUETE DE ADITAMENTOS PARA ENSAMBLE DE BISAGRA		
	Perillas estrella	2
	Perillas en T	4
	Abrazadera de soporte de bisagra	2
	Pernos de cabeza hexagonal de zinc	6
	Tuercas de ranura en T	2
	Arandelas planas de latón	2
	Tornillos de tapa	2
	Llave inglesa hexagonal	1
BOLSA DE ADITAMENTOS PARA PERILLA		
	Perilla	5
	Pernos de cabeza hexagonal negros	5
	Tuercas cuadradas	5
MESA DE PROYECTOS: BASE		
	Ensamble de la pata 1 (sin manijas)	1

CONTENIDO DEL PAQUETE

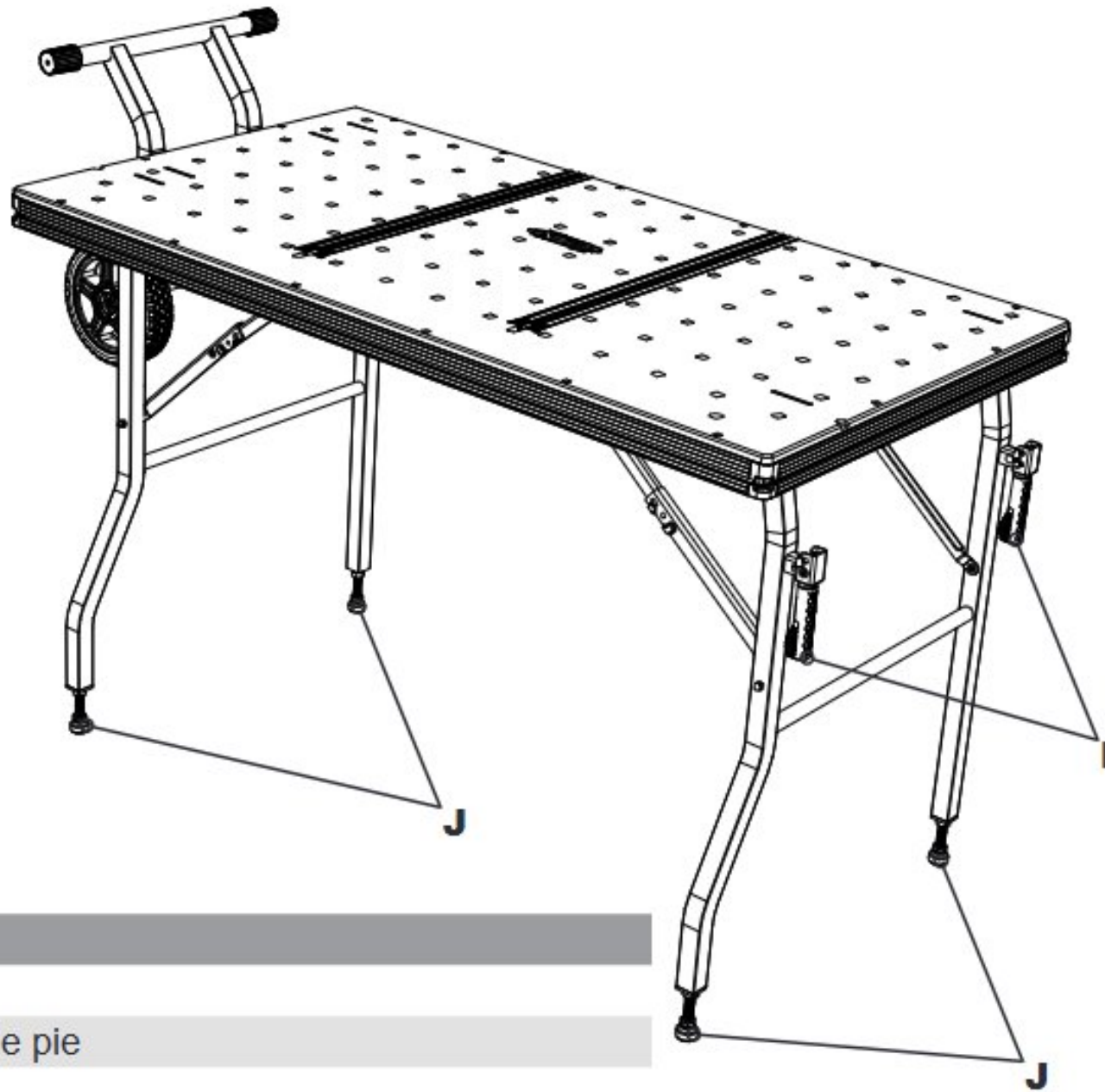
ARTÍCULO	DESCRIPCIÓN	CANTIDAD
	Ensamble de la pata 2 (con manijas)	1
	Ensamble del soporte	1
MESA DE PROYECTOS: BASE (CONTINUACIÓN)		
	Soportes del eje	2
	Ruedas	2
	Contratuercas de brida grandes	2
	Pernos en U	6
	Contratuercas de brida pequeñas	28
	Soportes para la barra	4
	Retenedores	2
	Niveladores de pie	4
	Llaves inglesas	2

PIEZAS DE ENSAMBLAJE

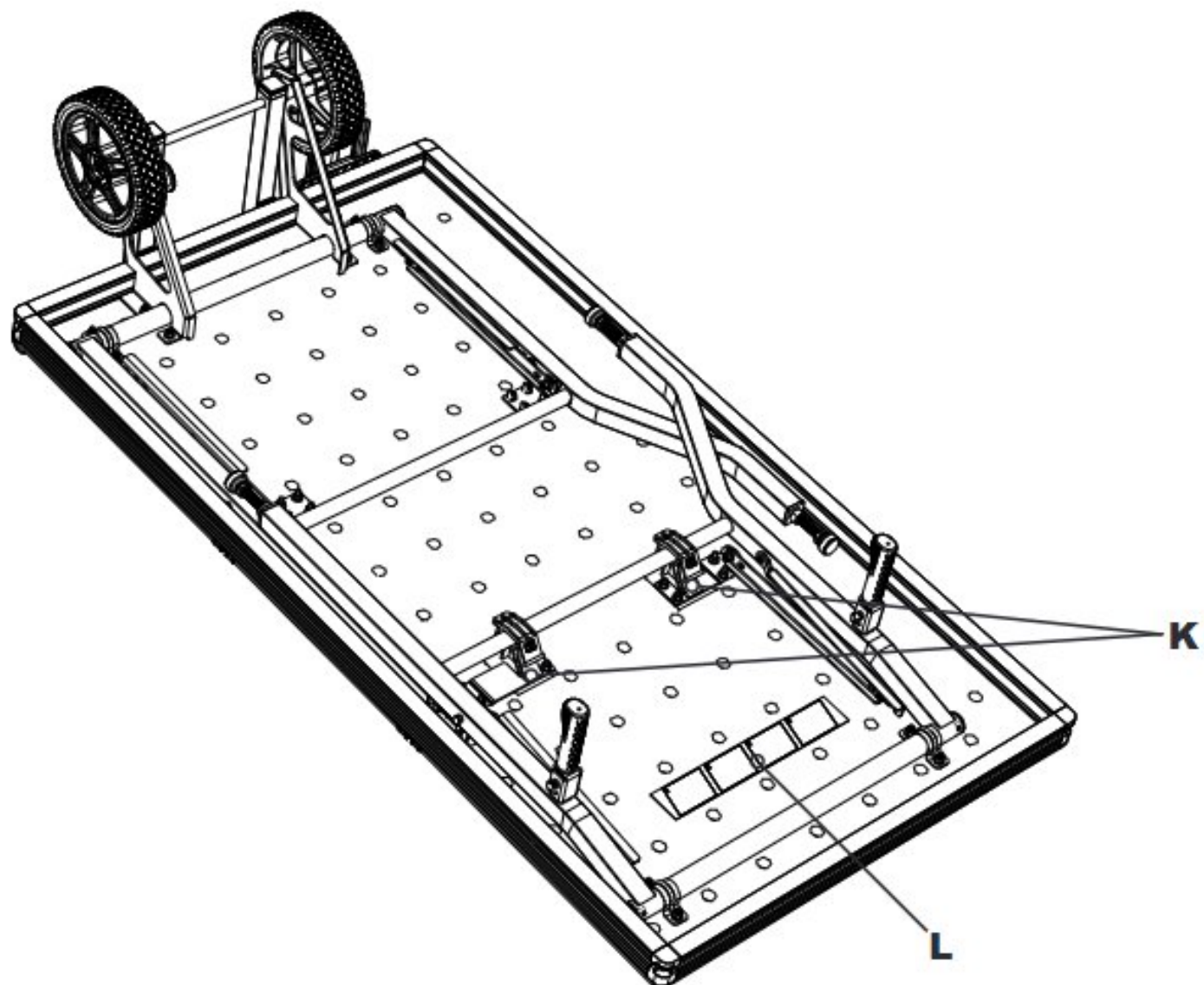


#	Nombre
A	Ensamble de las ruedas
B	Llaves inglesas
C	Soporte
D	Bloqueo del soporte
E	Encarte de la mesa de proyectos
F	Riel de ranura en T del perímetro
G	Ensamble de la pata 1 (extremo con rueda)
H	Ensamble de la pata 1 (extremo con manija)

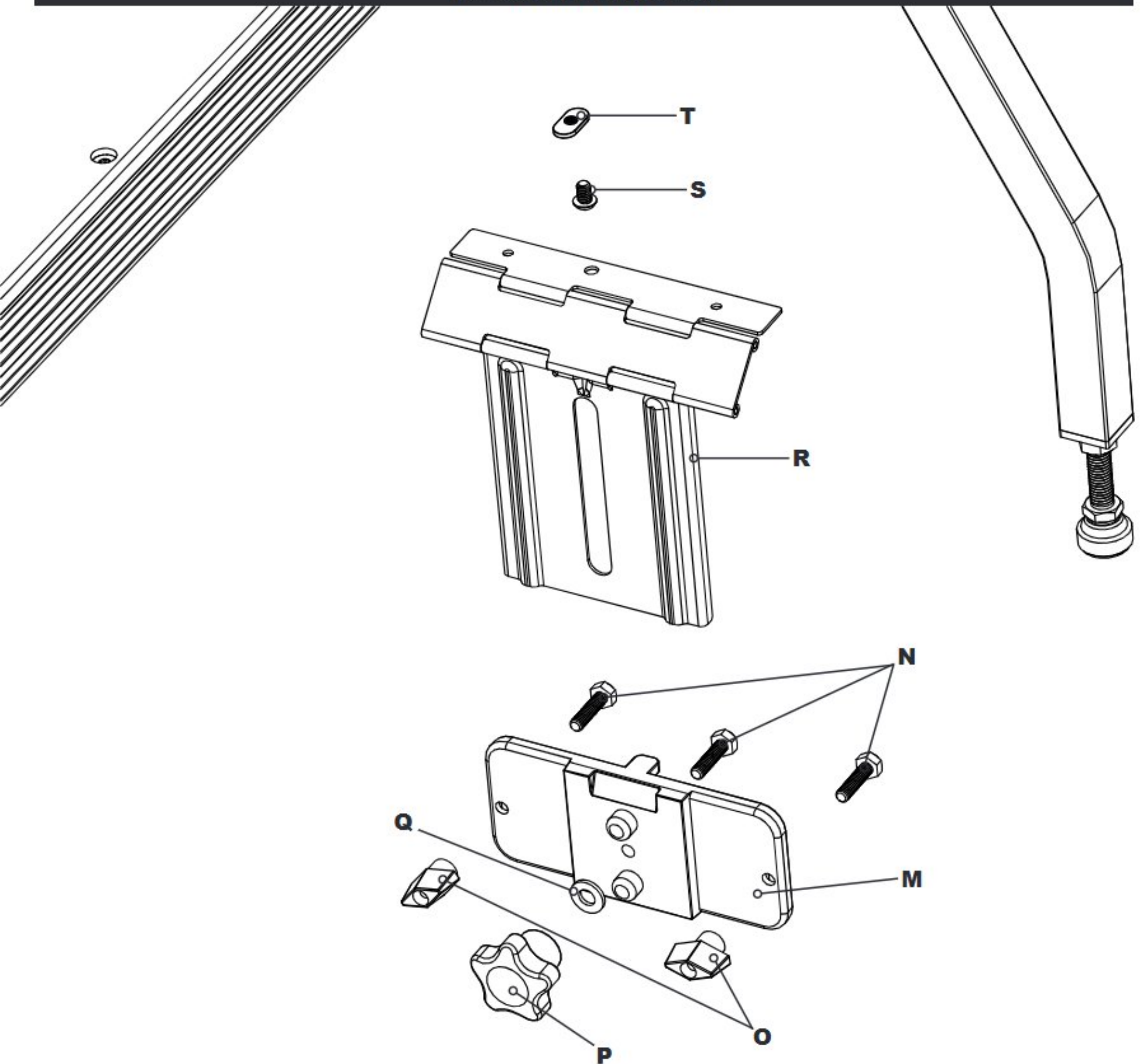
PIEZAS DE ENSAMBLAJE



#	Nombre
I	Manijas
J	Niveladores de pie
K	Retenedores
L	Etiqueta con instrucciones para instalación y almacenamiento



PIEZAS DE ENSAMBLAJE



#	Nombre
M	Placas para montaje de bisagras
N	Pernos de cabeza hexagonal de zinc
O	Perillas en T
P	Perilla estrella
Q	Arandelas planas de latón
R	Bisagras
S	Tornillos de tapa
T	Tuercas de ranura en T

PIEZAS DE ENSAMBLAJE

Nombre

U Topes Versa largos

V Topes Versa cortos

W Rieles de la mesa

X Reglas principales, enviadas en bolsa con Y

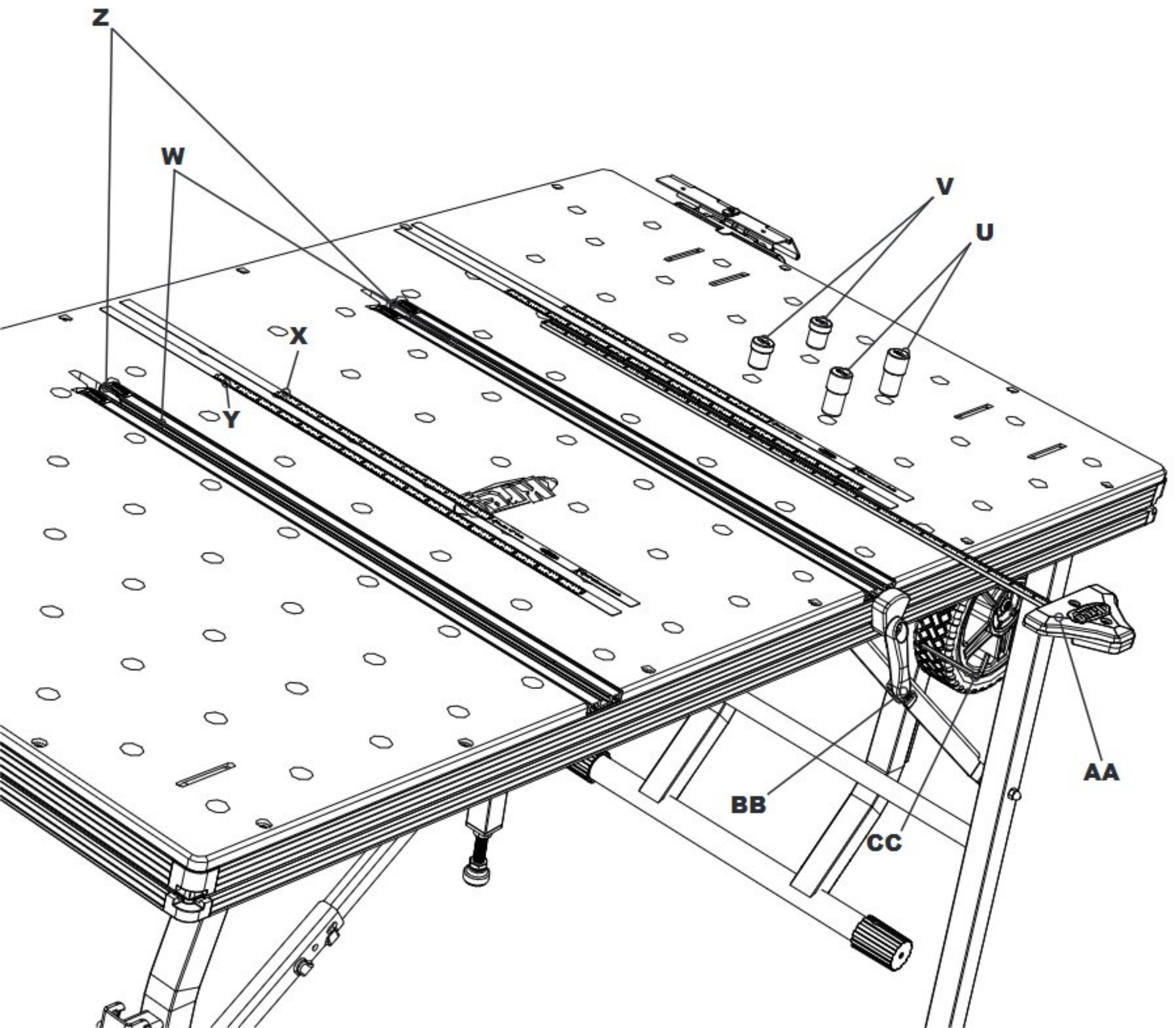
Y Reglas secundarias, enviadas en bolsa con X

Z Bloqueos de reglas

AA Extensión de 48" (121,92 cm)

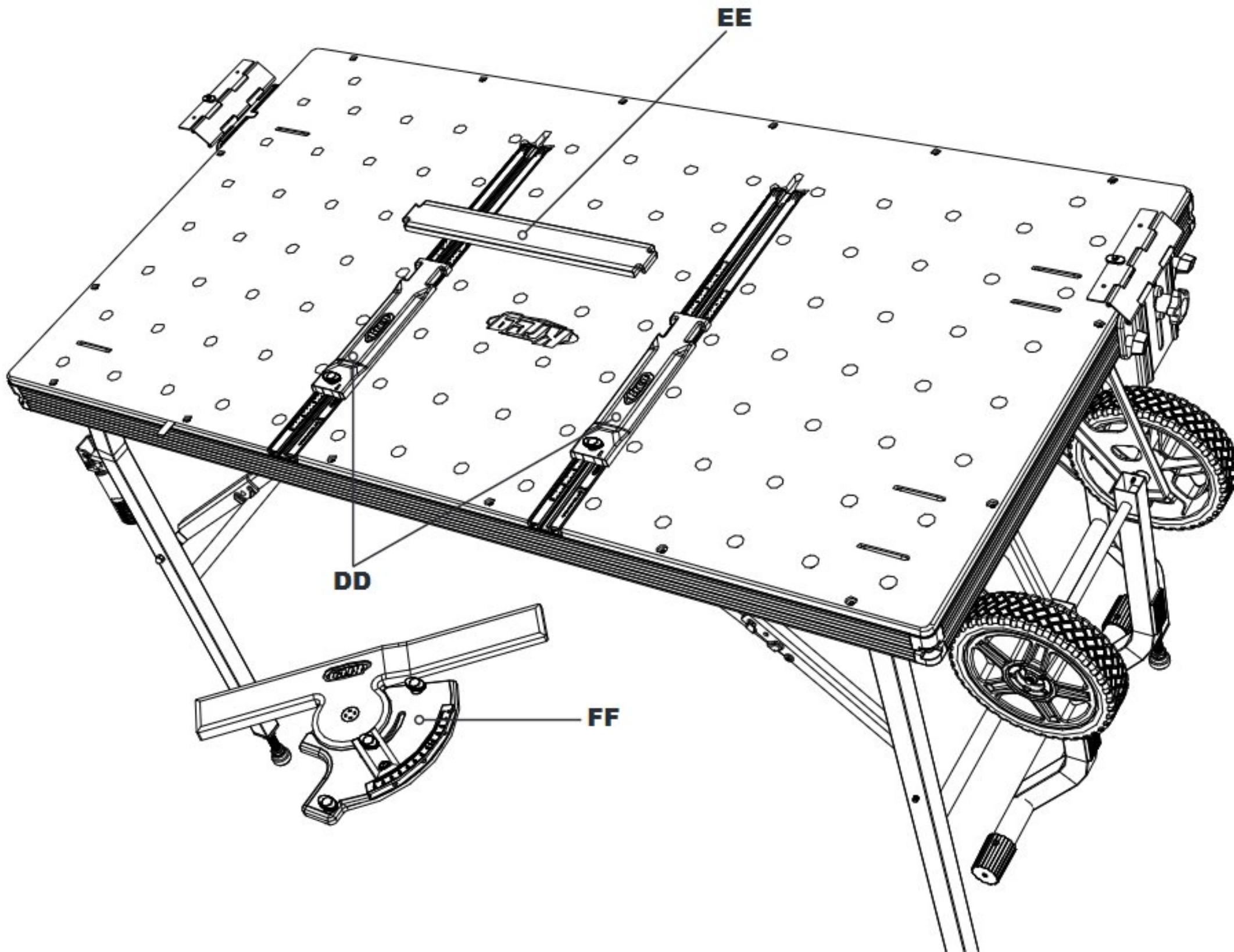
BB Perno de hombro, arandela ondulada, manija de leva, arandela plana, tuerca en T

CC Llave inglesa hexagonal



PIEZAS DE ENSAMBLAJE

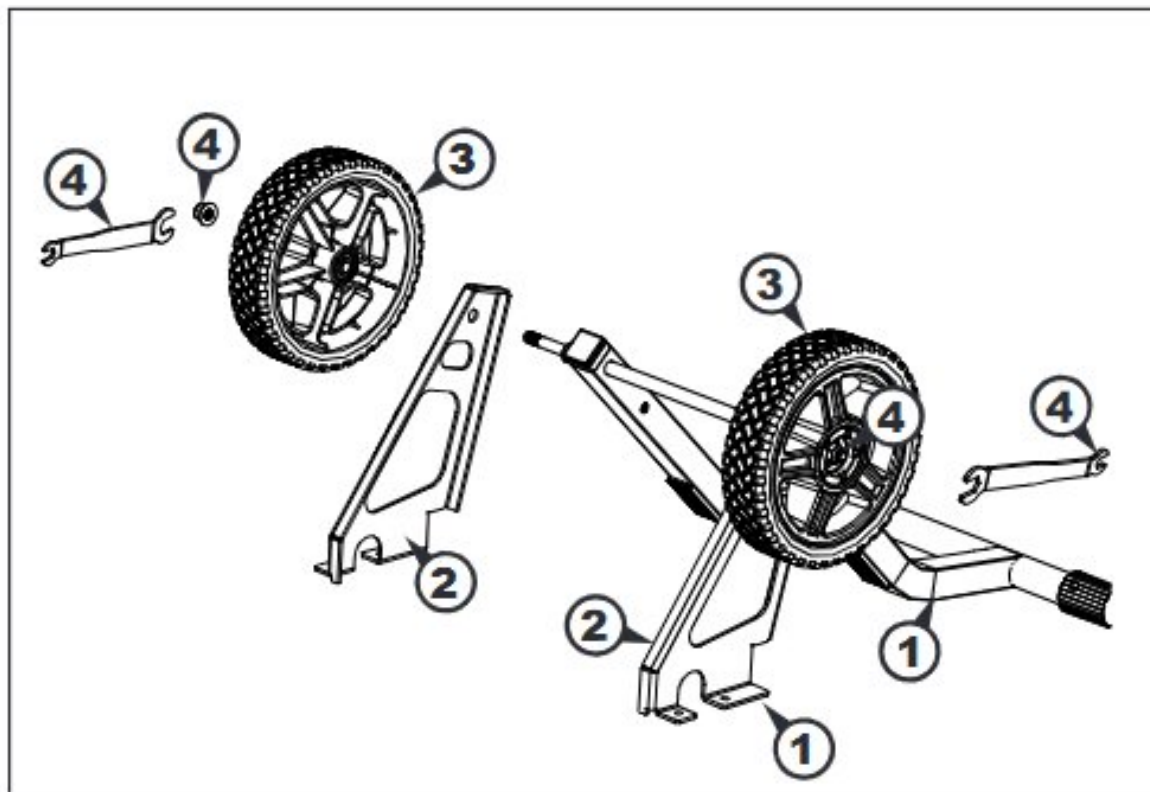
#	NOMBRE
DD	Topes repetitivos, pernos de cabeza hexagonal de color negro, perillas, tuercas cuadradas
EE	Barra de unión
FF	Guía de inglete, pernos de cabeza hexagonal de color negro, perillas, tuercas cuadradas



Ensamble de las ruedas

- (1) Coloque el ensamble del soporte con relación a los soportes del eje, como se muestra.
- (2) Deslice los soportes del eje en el eje con las bridas de soporte enfrentadas.
- (3) Deslice las ruedas en los ejes con los rodamientos de la rueda que sobresalen hacia el interior.
- (4) Enrosque las contratuercas de la brida grandes en los ejes con las llaves inglesas incluidas o con una llave de trinquete con un dado de 15 mm de profundidad y una llave de combinación de 15 mm, uno en cada extremo. Apriete las tuercas hasta el tope.

Deje a un lado el ensamble de la rueda.

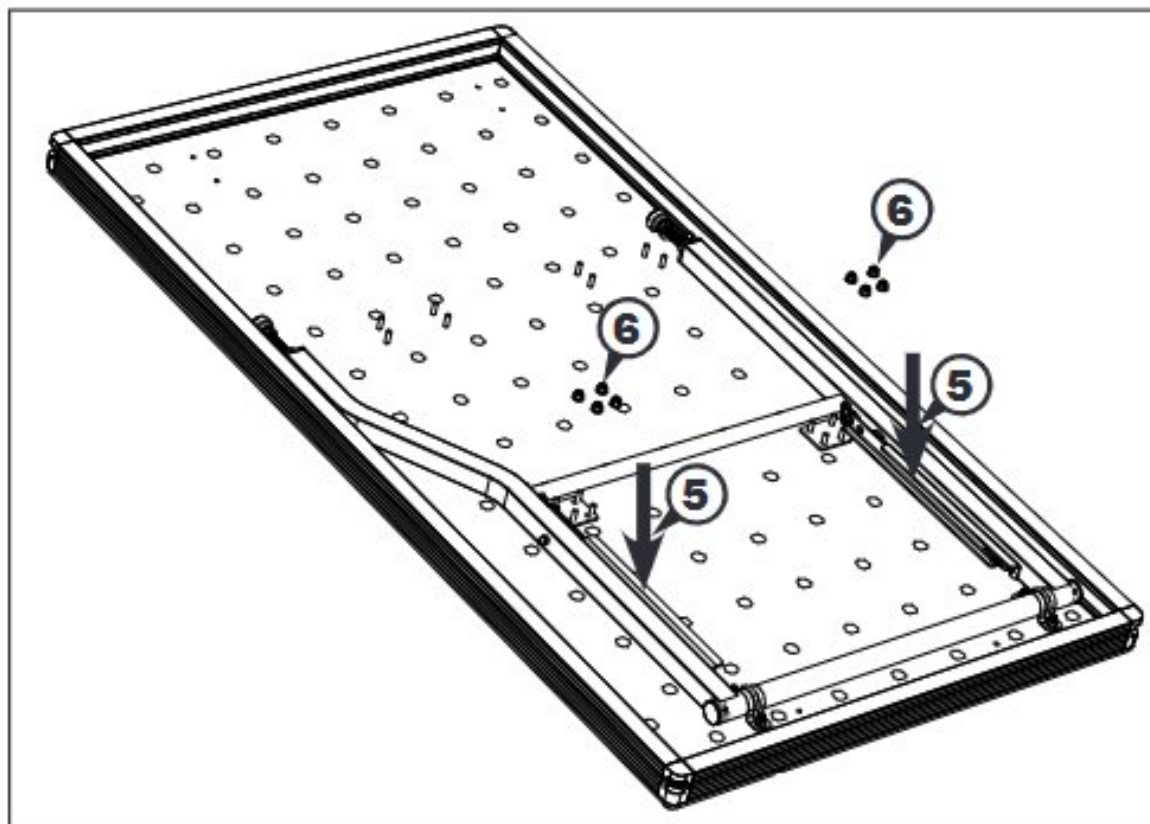
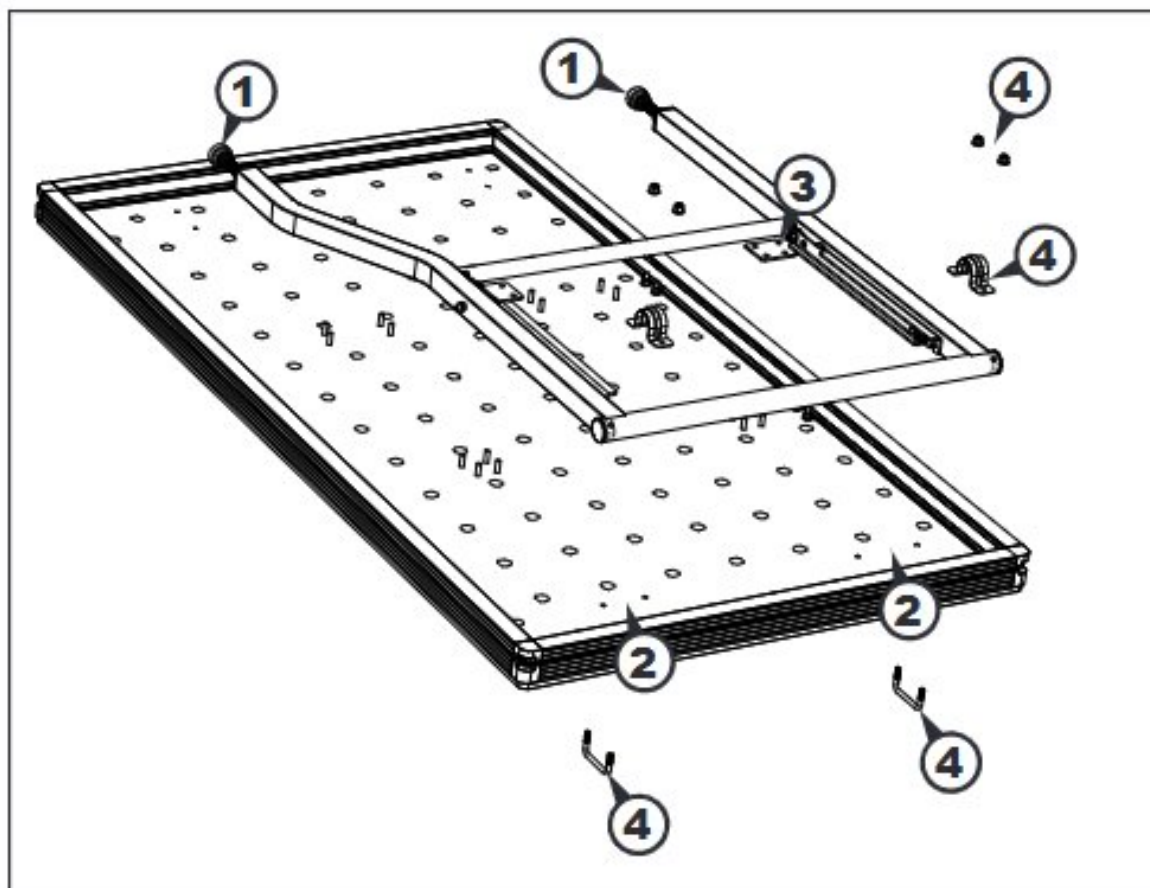


Base plegable

- (1) Enrosque los niveladores de pie en el ensamble de la pata 1 (el que no tiene manijas plegables).
- (2) Coloque la superficie de la mesa de proyectos en posición invertida sobre una superficie de trabajo limpia y resistente, y coloque el extremo con dos juegos de cuatro orificios en la superficie de la mesa.
- (3) Coloque la parte plana del ensamble de la pata 1 sobre la superficie de la mesa con la placa del ancla de expansión de soporte plegable y enganche los cuatro montantes roscados que sobresalen de la superficie de la mesa.

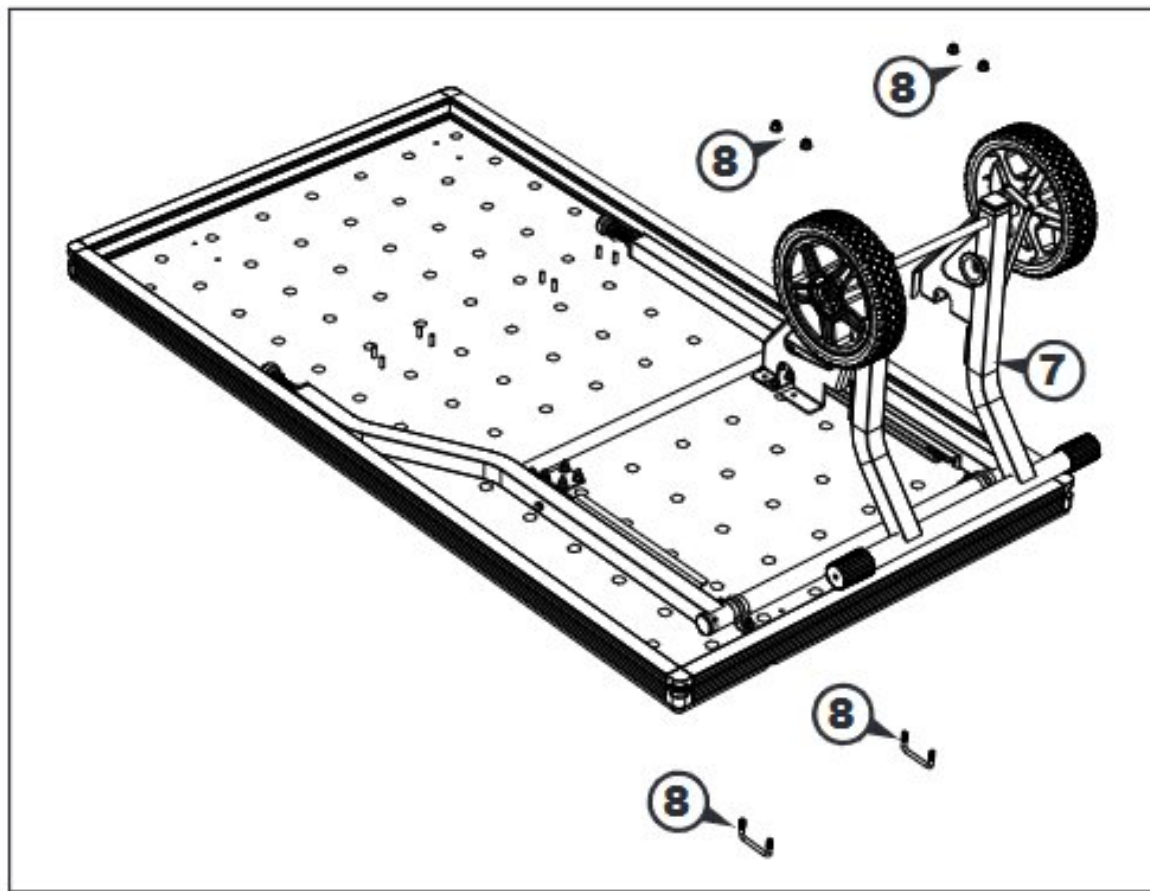
⚠ ATENCIÓN: las placas del ancla de expansión de soporte plegable en los dos ensambles de patas tienen diferentes patrones de orificios y solo se pueden instalar con la configuración adecuada.

- (4) Apriete la barra superior del ensamble de la pata a la superficie de la mesa con pernos en U, soportes de barras y contratuercas de brida pequeñas, utilizando los pares externos de orificios. Apriete las tuercas con las llaves inglesas incluidas o con un dado de 10 mm de profundidad y una llave de trinquete.
- (5) Presione hacia abajo los soportes plegables para que entren en contacto con la superficie de mesa.
- (6) Enrosque las contratuercas de brida pequeñas en las vigas de la placa del ancla de expansión de soporte y apriete las tuercas con las llaves inglesas incluidas o con un dado de 10 mm de profundidad y una llave de trinquete.

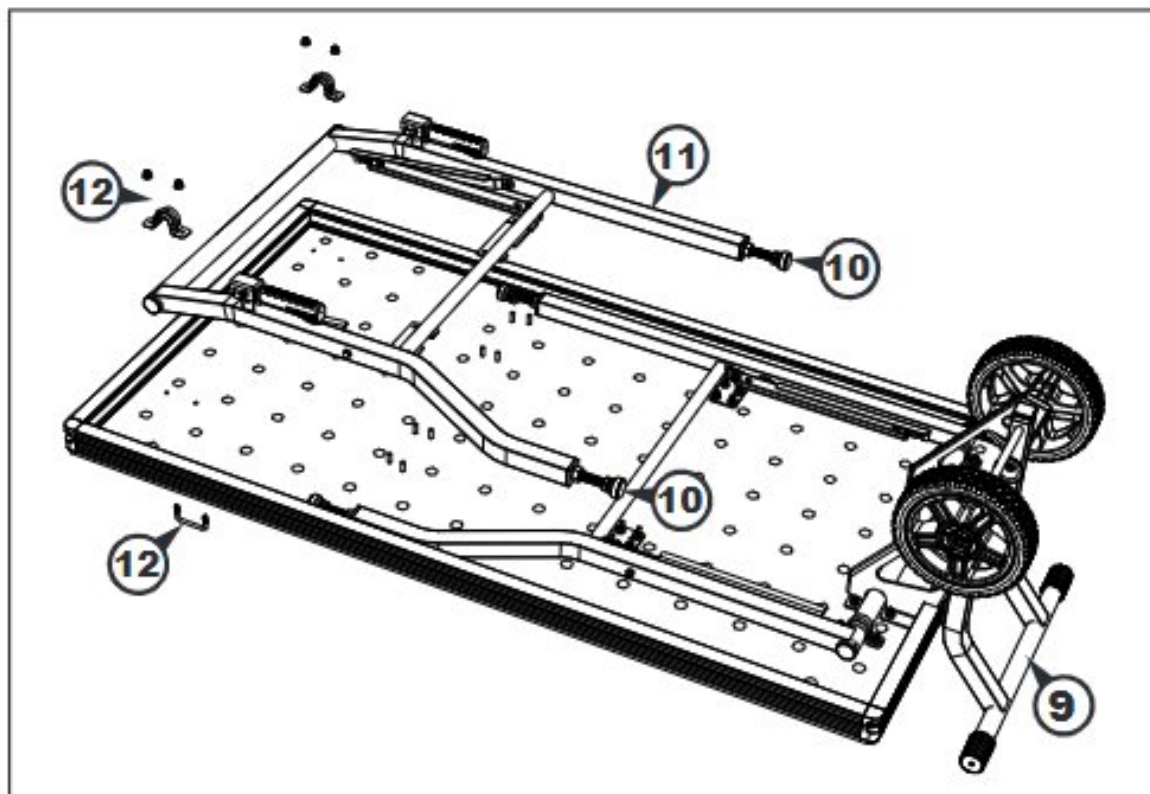


Base plegable (continuación)

- (7) Coloque el ensamble de la rueda con los soportes del eje extendiéndose sobre la barra superior del ensamble de la pata.
- (8) Ajuste el ensamble de la rueda a la superficie de la mesa con pernos en U y contratuercas de brida pequeñas. Apriete las tuercas con las llaves inglesas incluidas o con un dado de 10 mm de profundidad y una llave de trinquete.

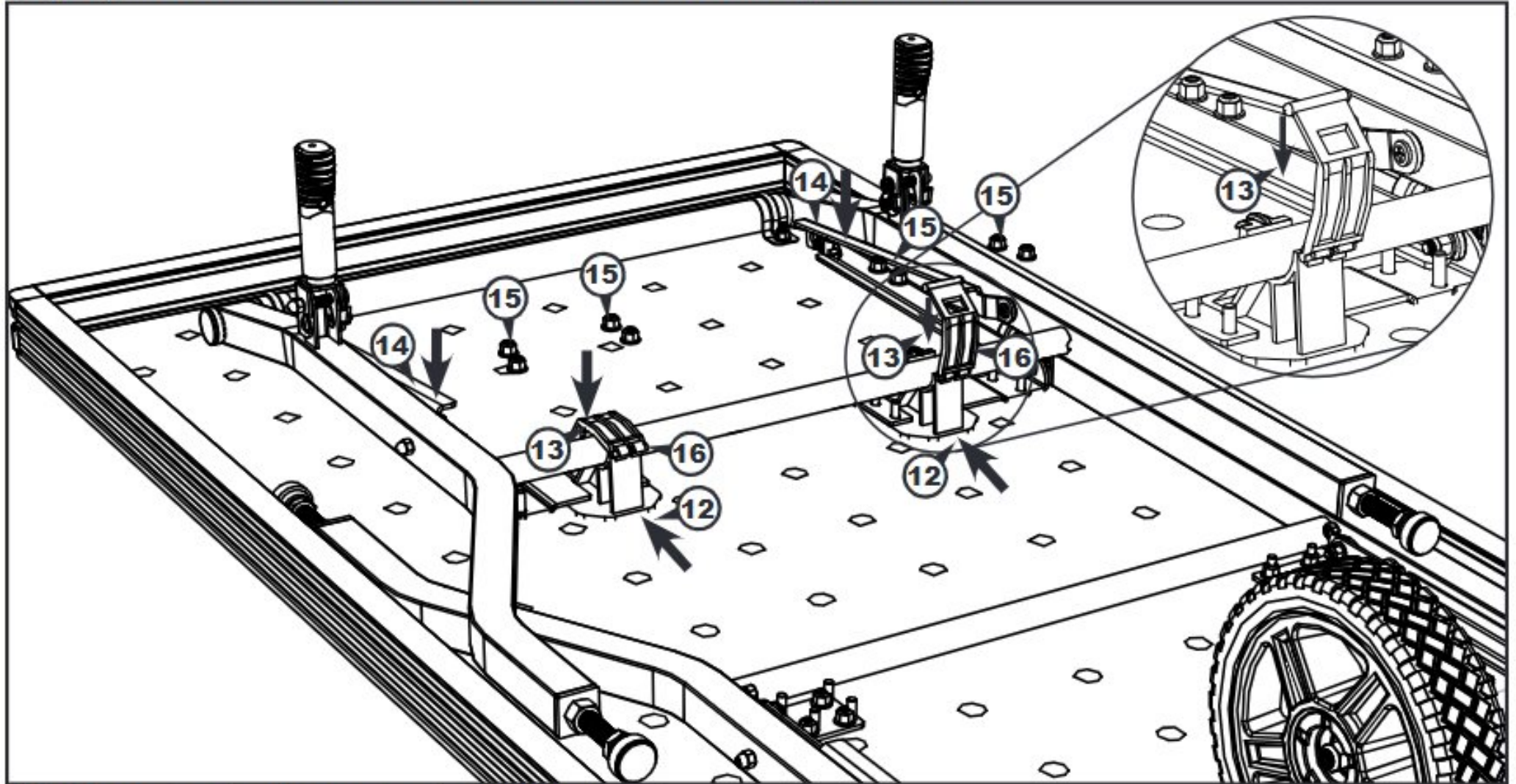


- (9) Instale el soporte, engancho el bloqueo del soporte con la brida de la traba del eje.
- (10) Enrosque los niveladores de pie en el ensamble de la pata 2 (el que tiene manijas plegables).
- (11) Coloque la parte plana del ensamble de la pata 2 sobre la superficie de la mesa.
- (12) Apriete la barra superior del ensamble a la superficie de la mesa con pernos en U, soportes de barras y contratuercas de brida pequeñas. Apriete las tuercas con las llaves inglesas incluidas o con un dado de 10 mm de profundidad y una llave de trinquete.



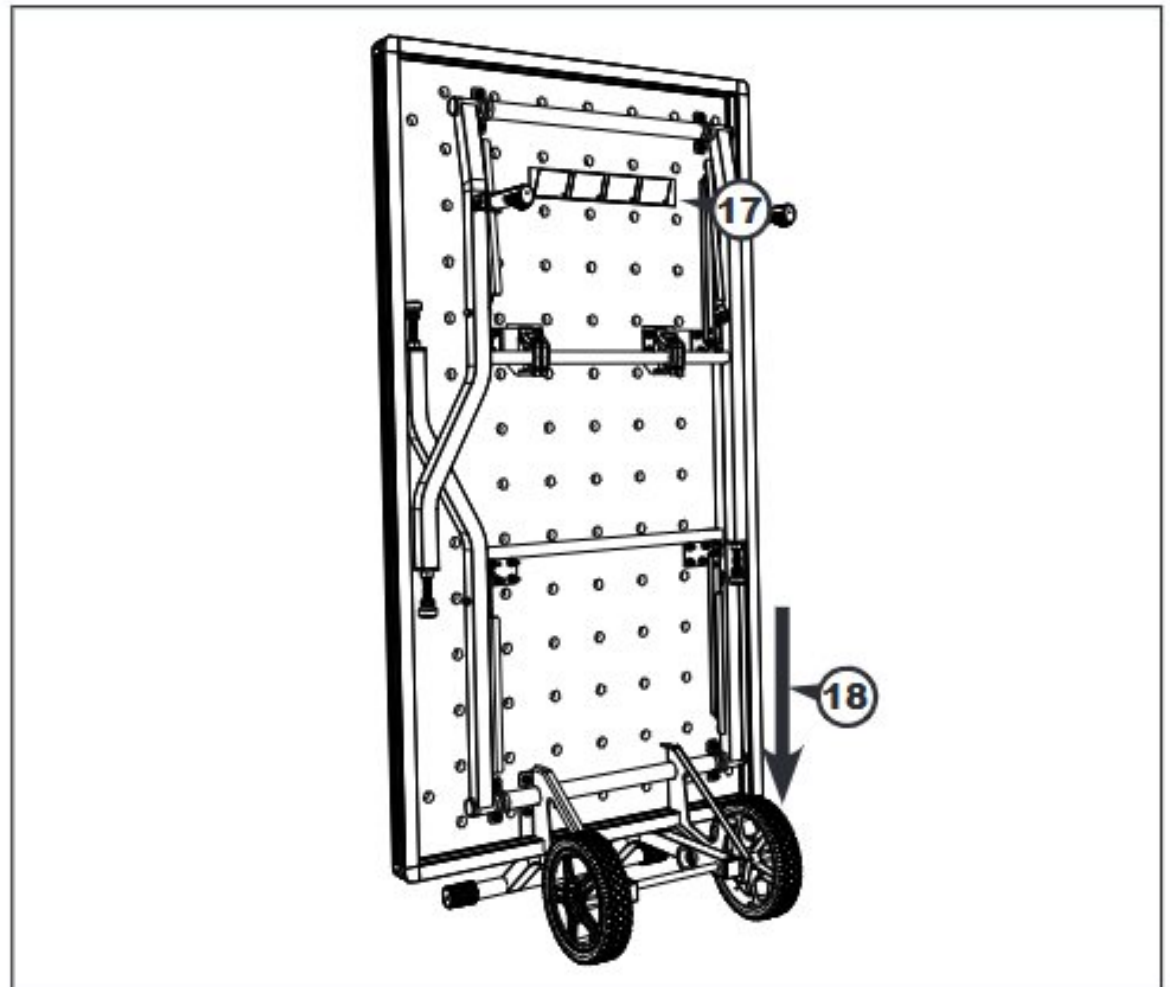
Base plegable (continuación)

- (12) Deslice los retenedores en los sujetadores en las placas del ancla de expansión del soporte para que las ranuras de los retenedores enganchen las placas del ancla de expansión.
- (13) Baje las placas del ancla de expansión con retenedores fijados en las vigas sobresalientes.
- (14) Presione hacia abajo los soportes plegables para que entren en contacto con la superficie de mesa.
- (15) Enrosque las contratuercas de brida pequeñas en las vigas de la placa del ancla de expansión de soporte y apriete las tuercas con las llaves inglesas incluidas o con un dado de 10 mm de profundidad y una llave de trinquete.
- (16) Sujete los retenedores a la barra del ensamble de la pata inferior.



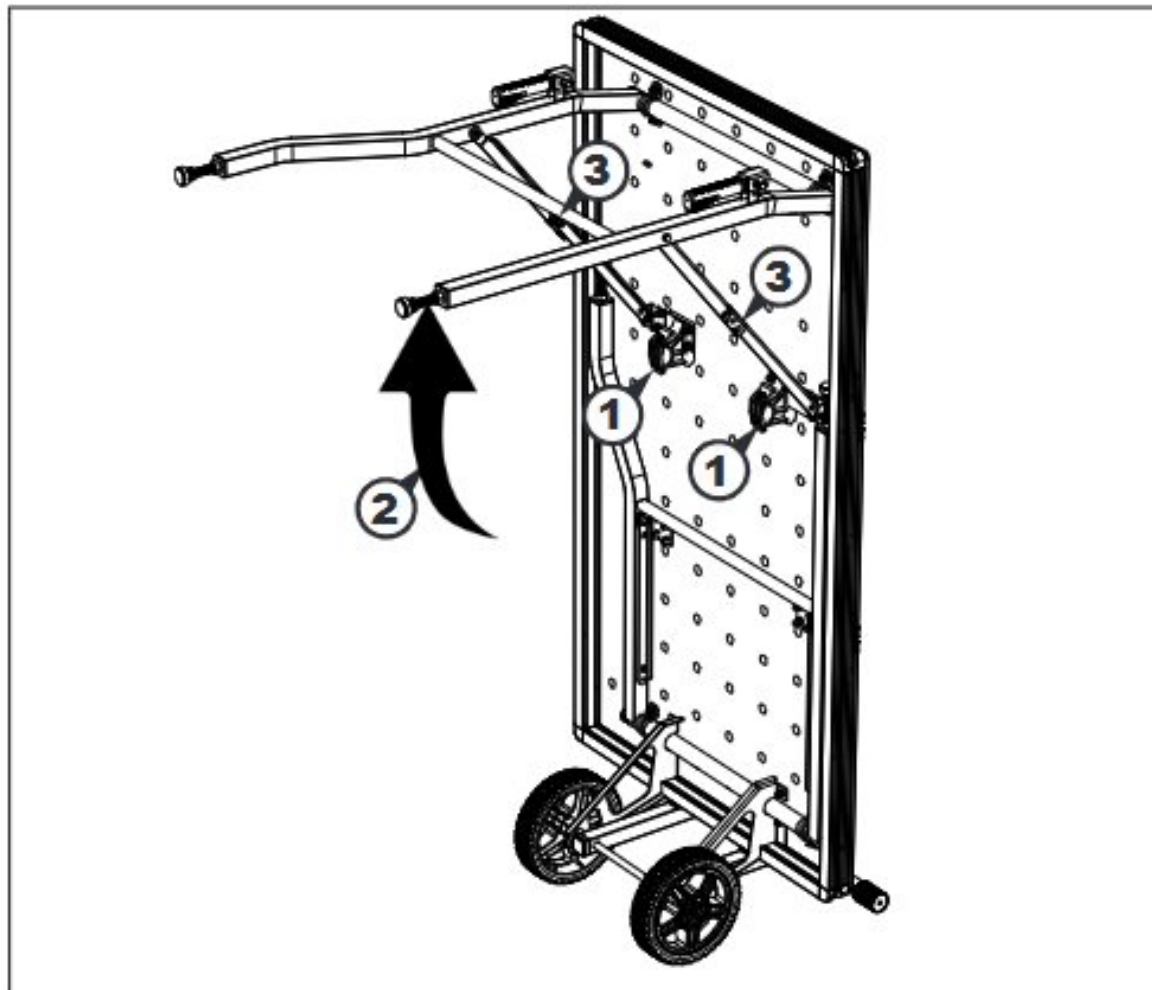
- (17) Pegue la etiqueta con las instrucciones de instalación y almacenamiento en la superficie de la mesa.
- (18) Levante la mesa de la superficie de trabajo y coloque la mesa plegada en posición vertical sobre las ruedas y el soporte.

⚠ Advertencia: se necesitan dos personas para levantar la mesa de proyectos.

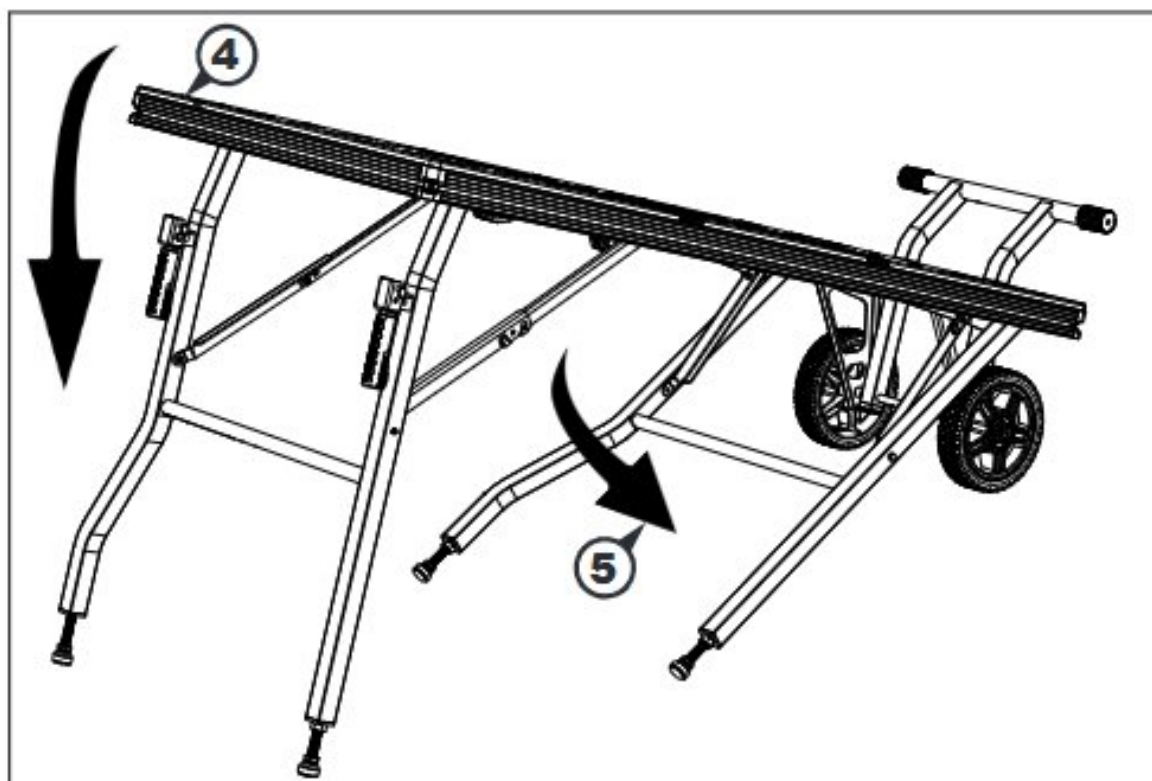


INSTALACIÓN DE LA MESA

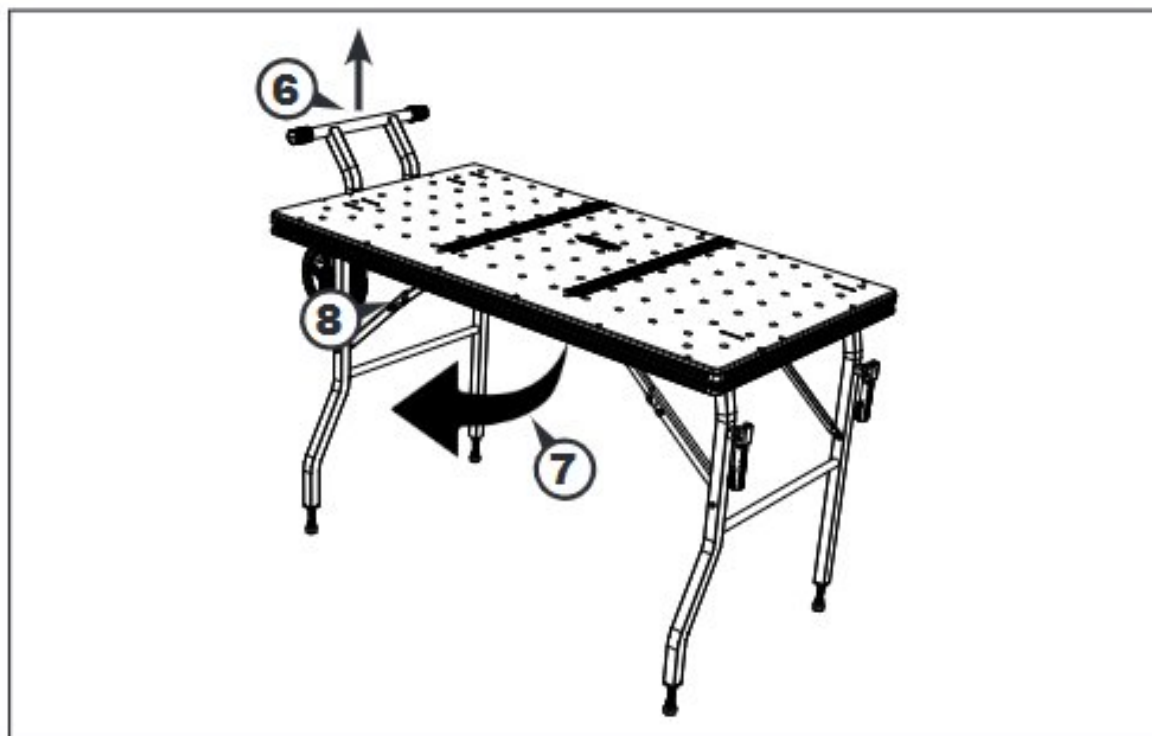
- (1) Libere los retenedores.
- (2) Despliegue el ensamblaje de la pata 2 (extremo con manija).
- (3) Enganche las trabas de los soportes.



- (4) Baje la mesa, girando sobre las ruedas, y coloque las patas del ensamblaje 2 sobre el suelo.
- (5) Baje el ensamblaje de la pata 1 (extremo con rueda) al suelo.

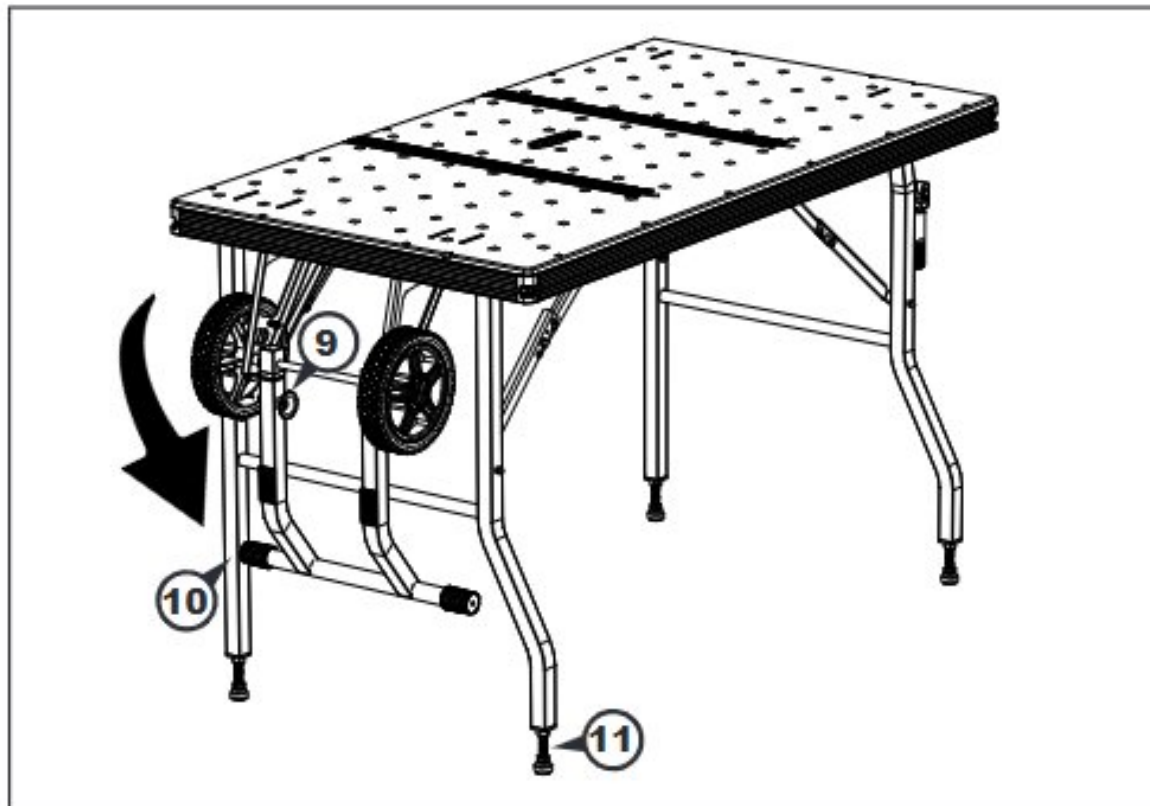


- (6) Levante el extremo de las ruedas por el soporte.
- (7) Baje completamente las patas.
- (8) Enganche las trabas de los soportes.



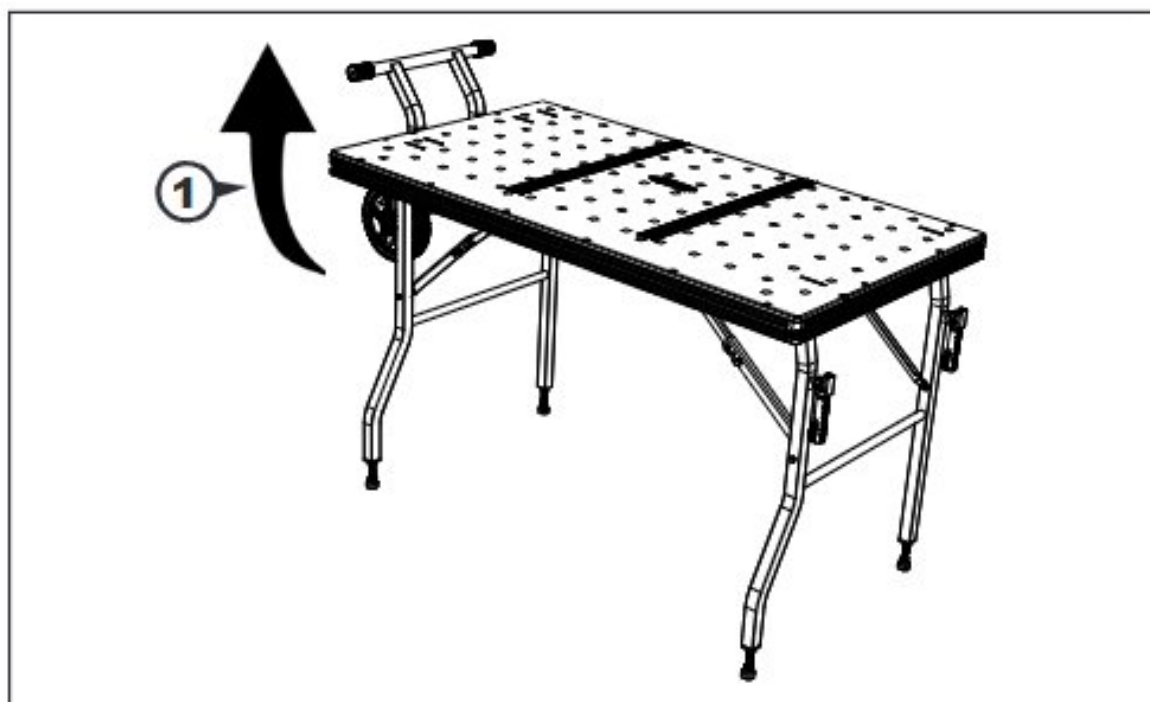
INSTALACIÓN DE LA MESA

- (9) Suelte el bloqueo del soporte.
- (10) Gire el soporte debajo de la mesa.
- (11) Ajuste con la mano los niveladores de pie a la altura deseada y bloquee la contratuerca del nivelador en el lugar con una llave de combinación de 3/4" (1,90 cm).

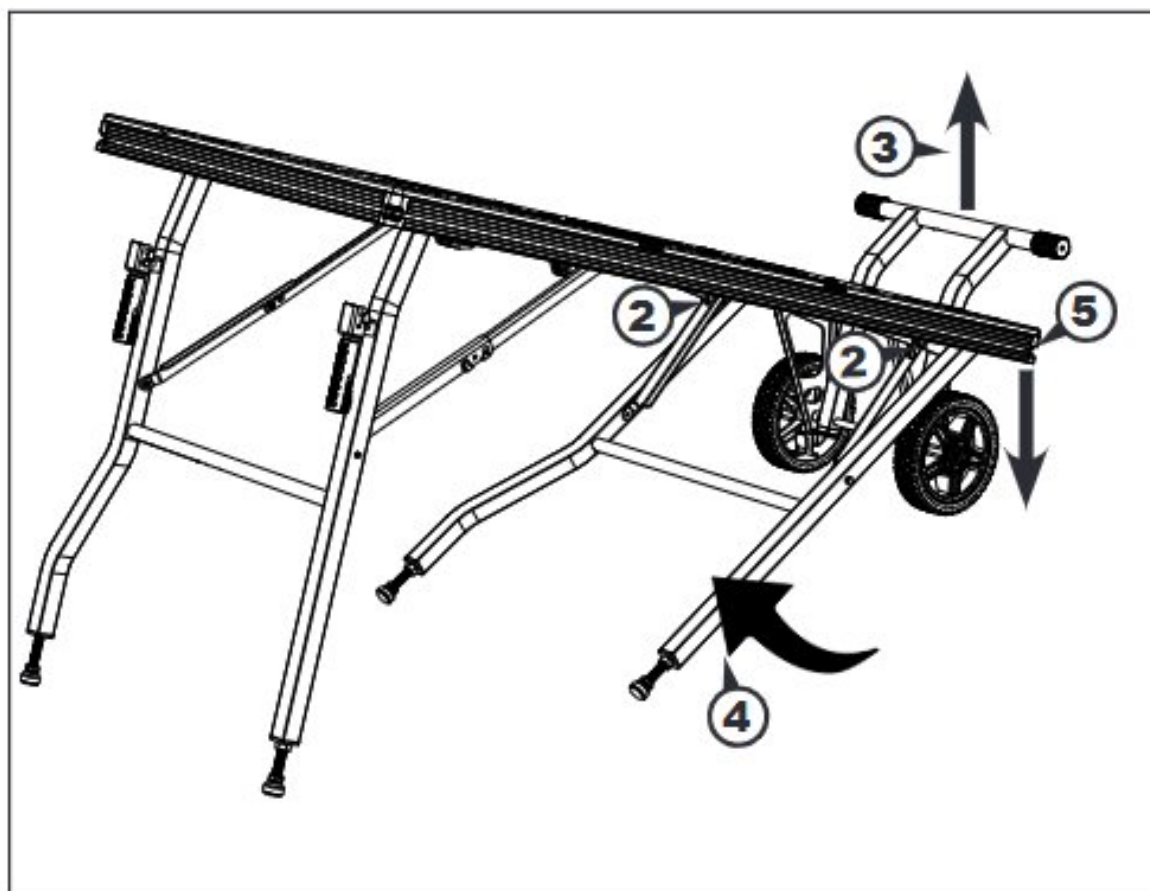


ALMACENAMIENTO DE LA MESA

- (1) Despliegue el soporte enganchando el bloqueo.

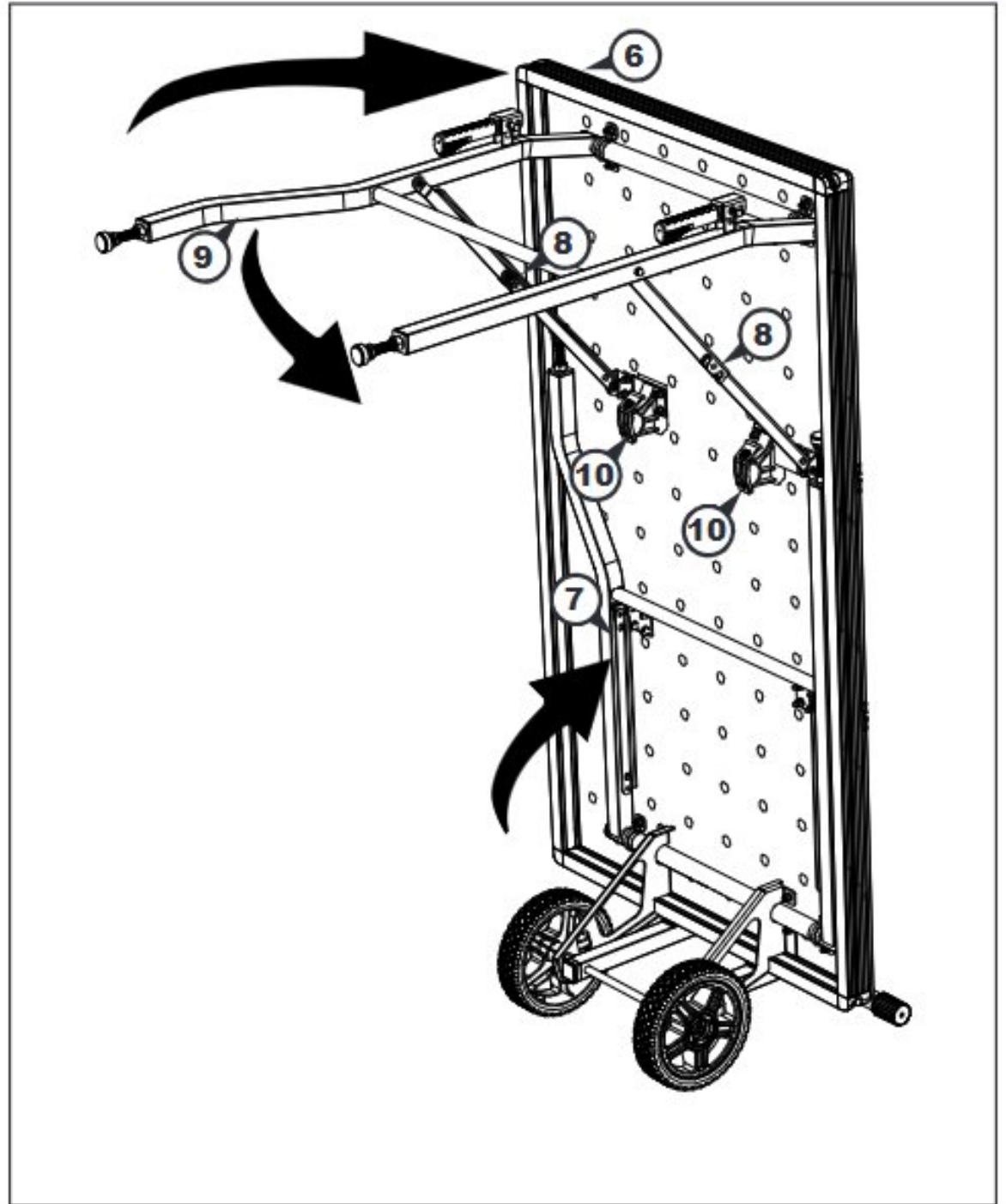


- (2) Libere los bloqueos del soporte del ensamble de la pata 1.
- (3) Eleve el extremo de la rueda de la mesa por el soporte.
- (4) Pliegue las patas debajo de la mesa.
- (5) Coloque el extremo de la mesa sobre las ruedas.

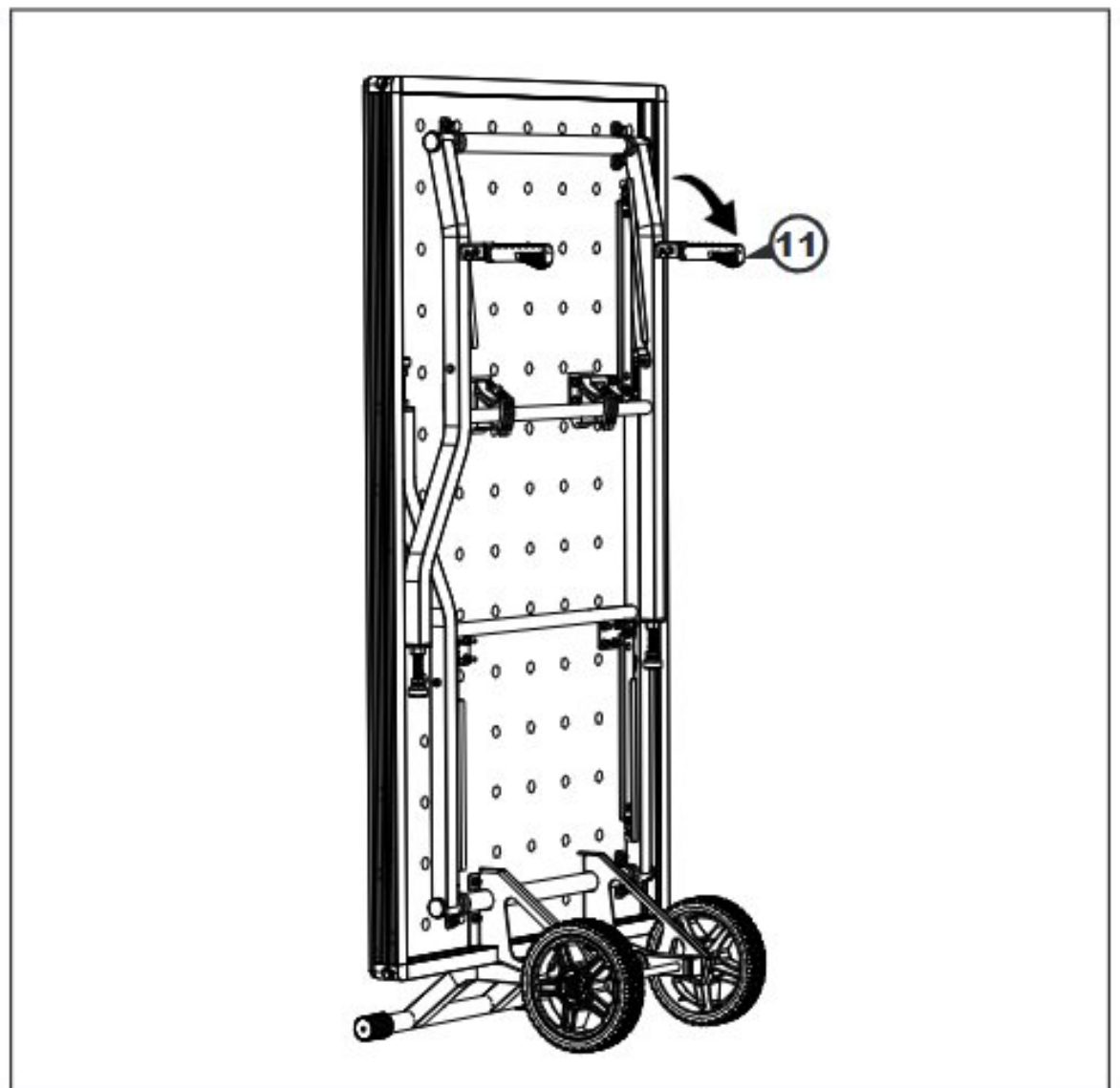


ALMACENAMIENTO DE LA MESA

- (6) Levante el extremo con manija de la mesa hasta la posición vertical.
- (7) Pliegue el ensamble de la pata 1 en contra de la superficie de la mesa de proyectos.
- (8) Libere los bloqueos del soporte del ensamble de la pata 2.
- (9) Pliegue el ensamble de la pata 2 en contra de la mesa de proyectos.
- (10) Sujete los retenedores alrededor de la barra.



- (11) Despliegue las manijas para mover la mesa. Almacene la mesa plegada en posición vertical.



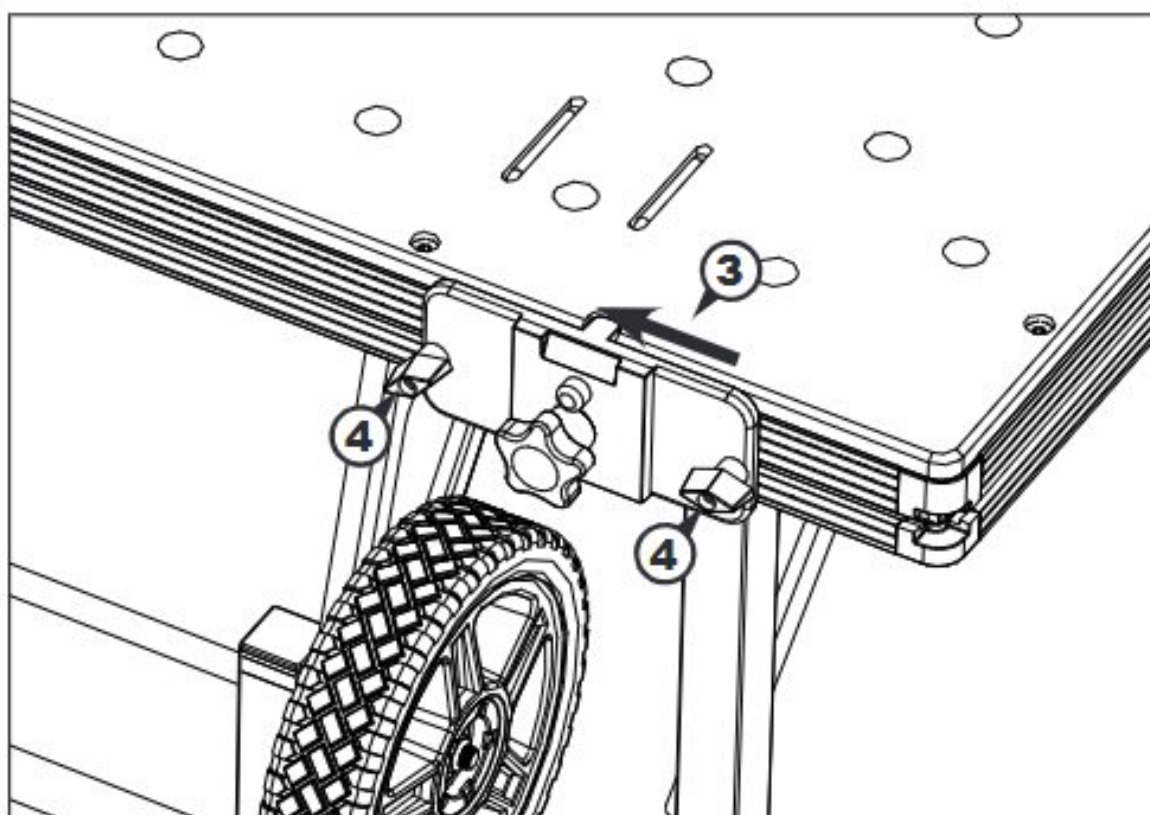
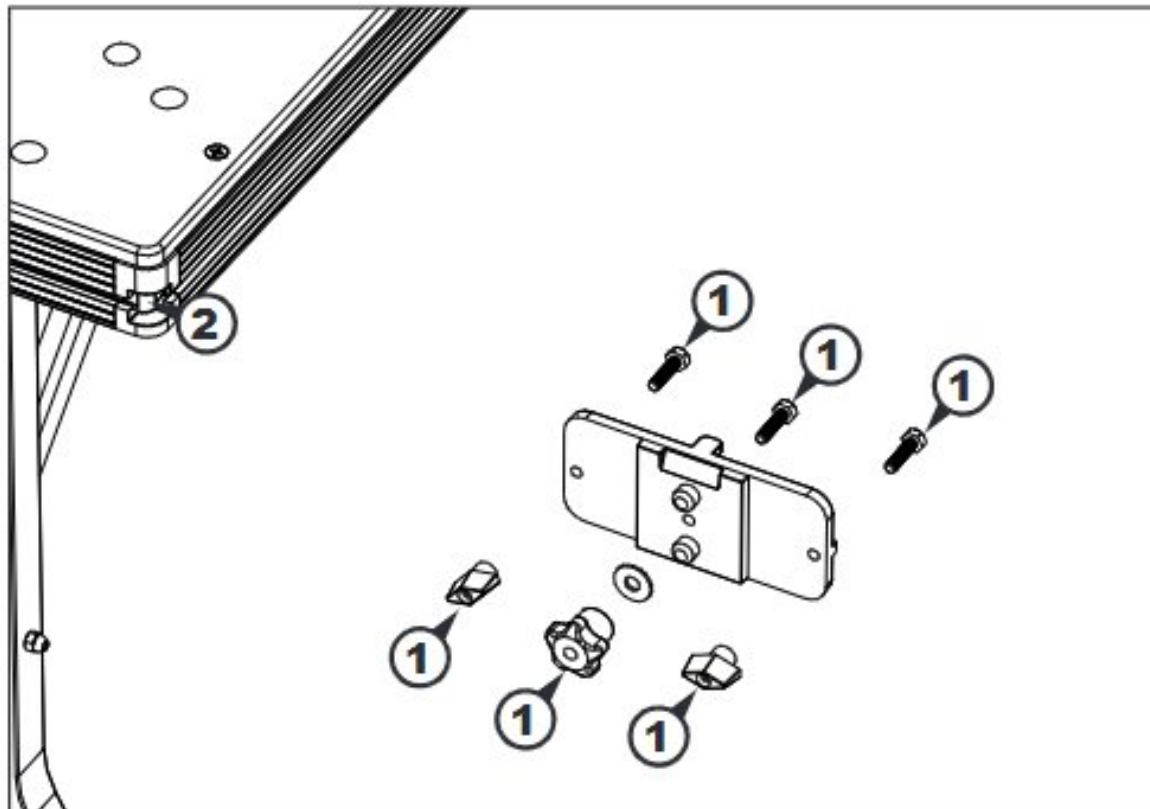
⚠ ATENCIÓN: el riel de guía Kreg ACS de 62" (157,48 cm) (ACS430) se puede almacenar colocado si lo desea.

RIEL DE GUÍA

⚠ ATENCIÓN: el riel de guía de 62" (157,48 cm) (artículo #ACS430) se suministra con sierra con perforación + riel de guía (artículo #ACS2000), el kit maestro (artículo #ACS3000) o está disponible por separado.

⚠ ATENCIÓN: antes de montar el riel de guía sobre la mesa, recorte la tira antiastillas siguiendo las instrucciones que se incluyen en el manual que se proporciona con la sierra con perforación Kreg (artículo #ACS-SAW).

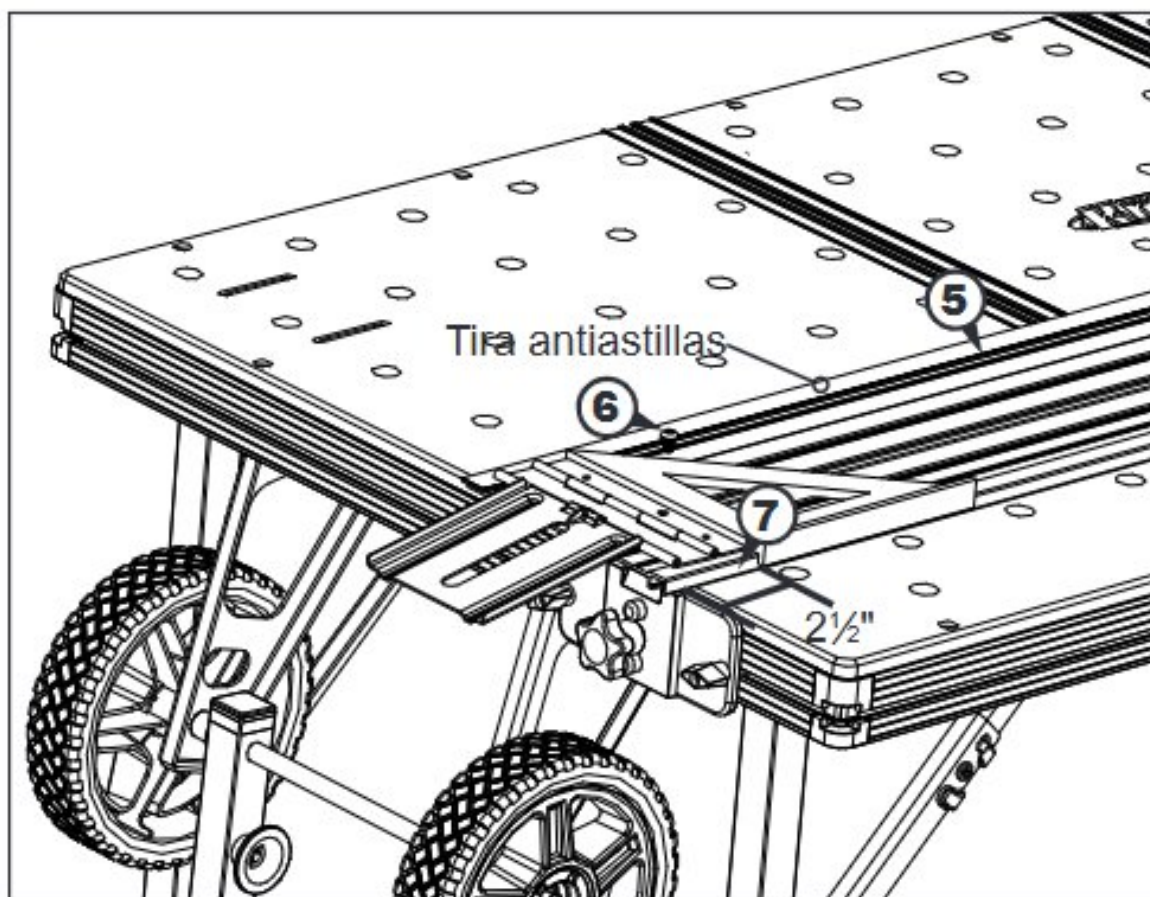
- (1) Junto con la instalación de la mesa (consulte Instalación de la mesa), instale la perilla estrella, la arandela plana de latón, el perno de cabeza hexagonal de zinc y las perillas y pernos en T sobre las placas de montaje de la bisagra.
- (2) Deslice las cabezas de los pernos de la perilla en T en la ranura en T en el riel del perímetro de la mesa.
- (3) Coloque las lengüetas de alineación de la placa completamente hacia la parte trasera de las muescas de la superficie de la mesa.
- (4) Apriete las perillas en T.



- (5) Coloque el riel de guía en posición invertida sobre la mesa con la tira antiastillas orientada hacia el centro de la mesa.
- (6) Instale un tornillo de tapa y la tuerca de ranura en T en la primera bisagra y deslice la tuerca de ranura en T en la ranura en T del extremo de salida del riel.

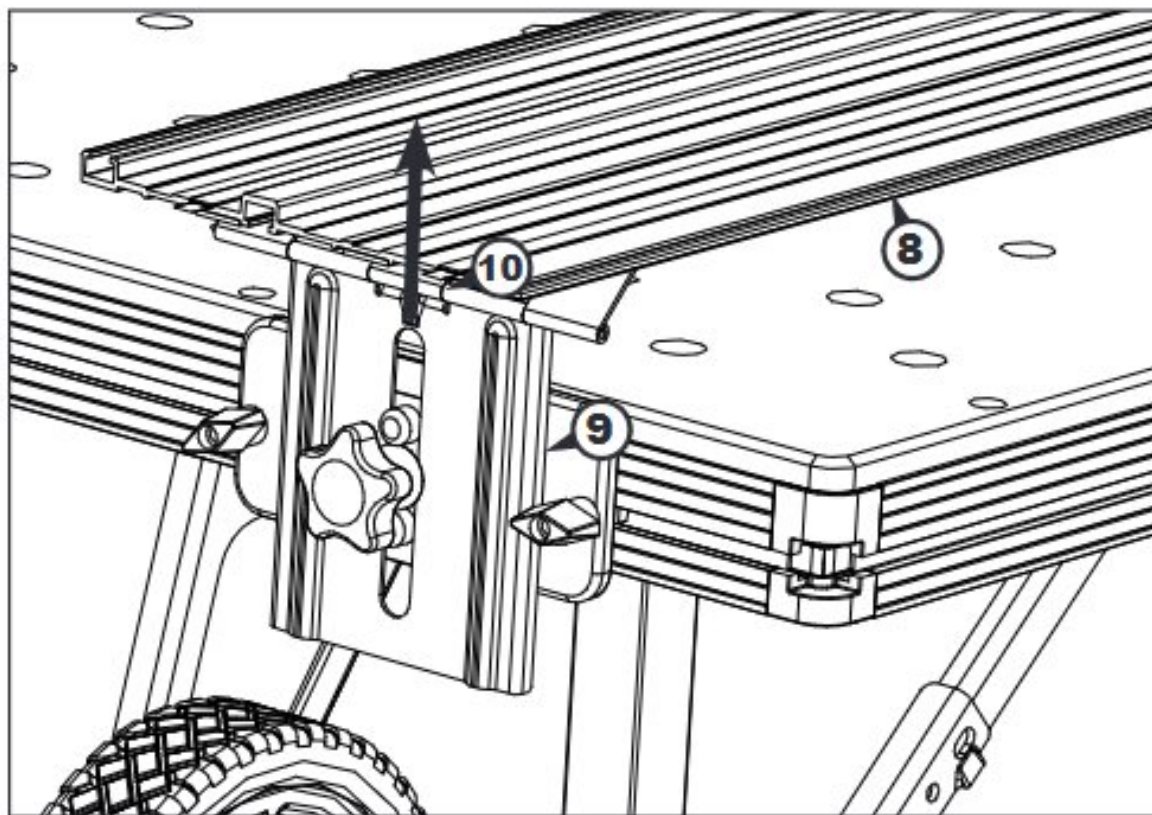
⚠ ATENCIÓN: ambas bisagras son idénticas y se instalan para que funcionen en la misma dirección para elevar y bajar el riel de guía.

- (7) Coloque el borde de la bisagra a 2 ½" (64 mm) del extremo del riel, escuádrelo al borde del riel y apriete el tornillo de tapa con la llave inglesa hexagonal incluida.

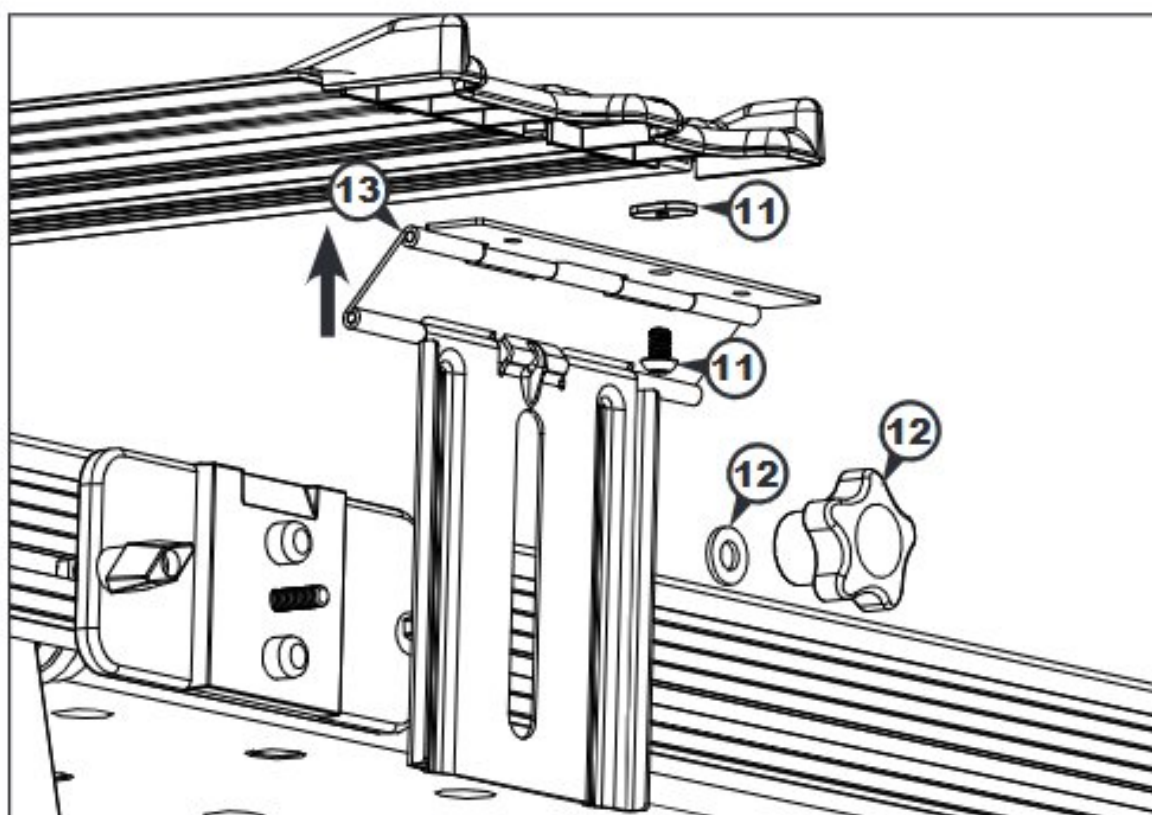


RIEL DE GUÍA

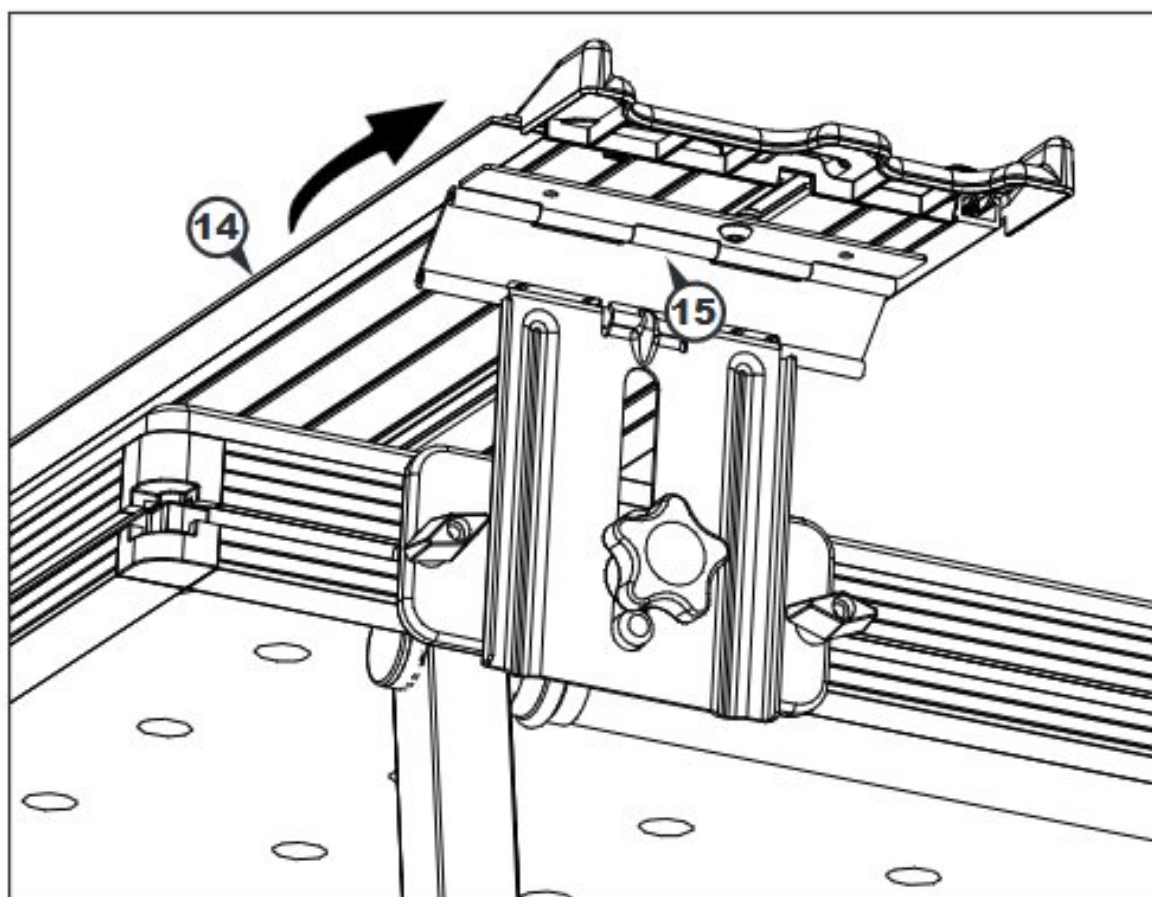
- (8) Gire el riel de modo que el extremo derecho quede hacia arriba y oriéntelo con la tira antiastillas hacia el borde cercano de la mesa.
- (9) Fije la bisagra del extremo de salida en posición vertical a la placa de montaje de la bisagra del extremo de salida con la perilla estrella y la arandela plana de latón.
- (10) Eleve la bisagra en posición vertical hasta la posición más alta y apriete la perilla estrella.



- (11) Instale un tornillo de tapa y la tuerca con ranura en T sobre la segunda bisagra y deslice la tuerca en la ranura en T en el extremo de alimentación del riel. No apriete el tornillo.
- (12) Fije la bisagra en posición vertical a la placa de montaje del extremo de alimentación con la perilla estrella y la arandela plana de latón.



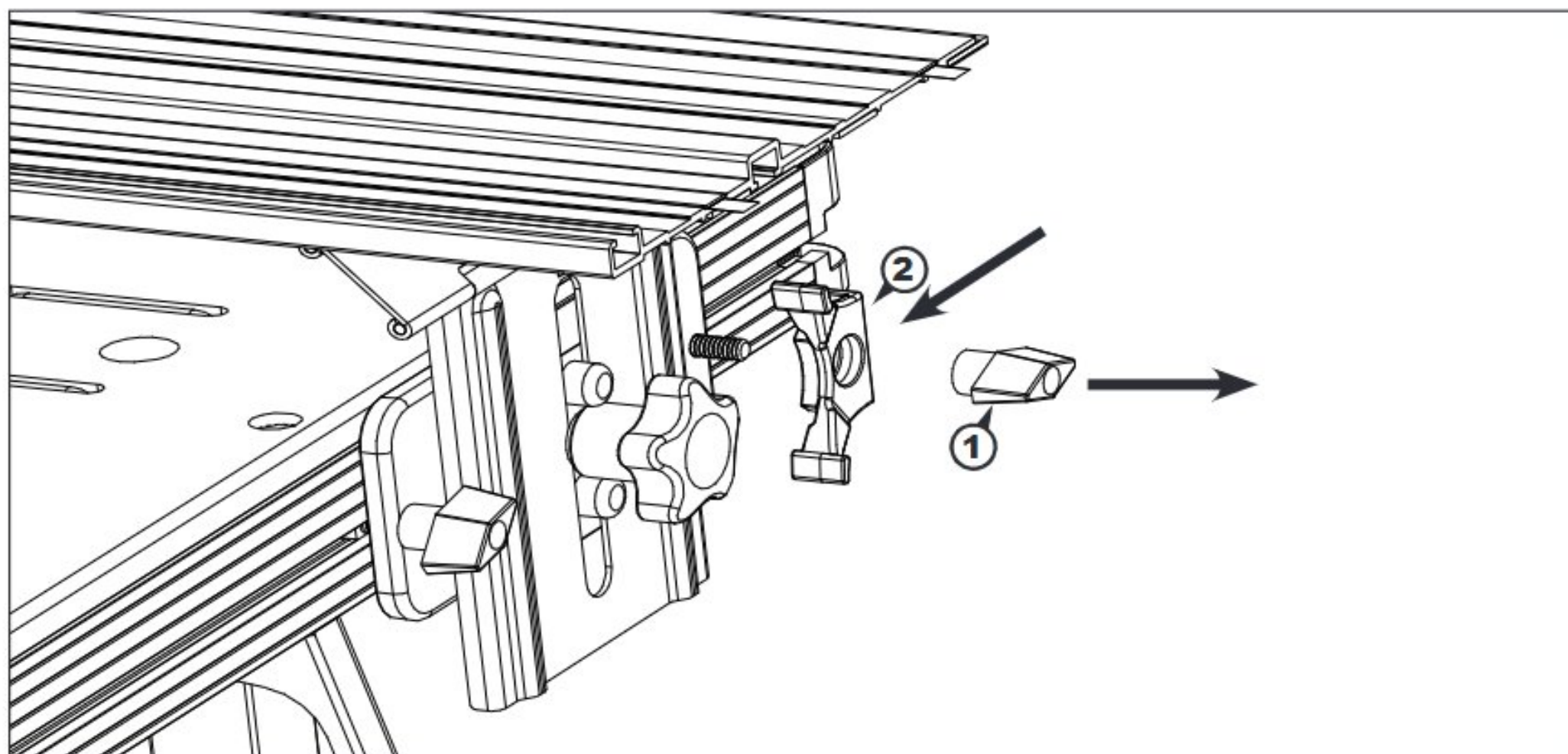
- (13) Eleve la bisagra hasta la posición más alta y apriete la perilla estrella.
- (14) Eleve el riel a medida que lo gira hacia el extremo de alimentación para abrir completamente ambas bisagras.
- (15) Apriete el tornillo de la tapa de la bisagra con la llave inglesa hexagonal incluida.



⚠ ATENCIÓN: asegúrese de que ambas bisagras estén completamente abiertas antes de apretar el tornillo de tapa de la bisagra. Esto asegurará el funcionamiento adecuado de la bisagra.

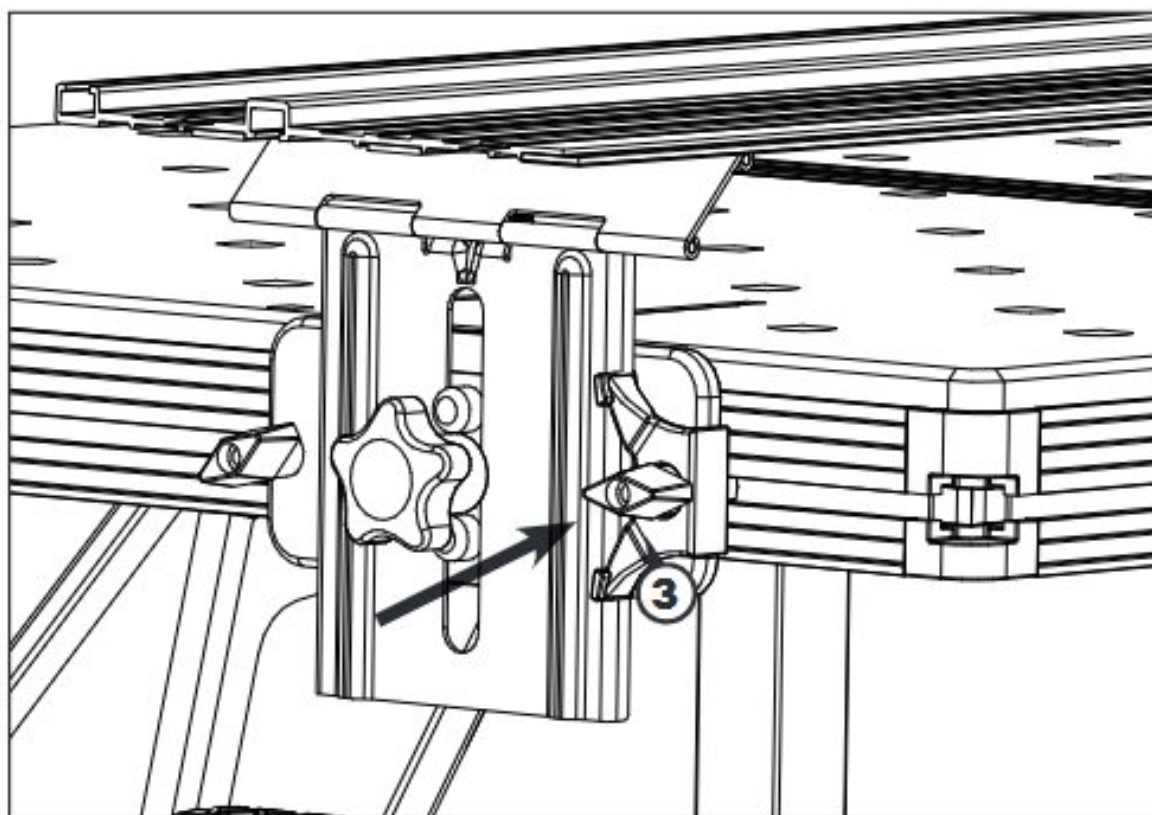
INSTALACIÓN DE LA ABRAZADERA DE SOPORTE DE LA BISAGRA

- (1) Retire la perilla en T ubicada sobre el lado de corte de la mesa.
- (2) Inserte la abrazadera de soporte de la bisagra sobre el perno de cabeza hexagonal de zinc.



- (3) Vuelva a instalar la perilla en T y apriete.
- (4) Repita el proceso para la placa de montaje de la bisagra opuesta.

⚠ ATENCIÓN: ambas abrazaderas de soporte de la bisagra se deben instalar en el extremo de corte de la mesa en cada placa de montaje de la bisagra.



ALINEACIÓN DEL RIEL DE GUÍA

⚠ ATENCIÓN: se deben recortar las tiras antiastillas del riel de guía antes de alinear el riel. Consulte las instrucciones para la sierra con perforación + riel de guía.

- (1) Inserte los topes Versa largos en los dos orificios de alineación del riel en la superficie del banco.
- (2) Eleve el riel de guía a medida que lo gira hacia el extremo de salida para cerrar completamente las bisagras.
- (3) Afloje ambas perillas estrellas de la placa de montaje y baje el riel. Ajuste las perillas.
- (4) Afloje las perillas en T de la placa de montaje y presione las placas hacia el borde de la mesa hasta que la tira antiastillas del riel toque los topes Versa. Apriete las perillas en T de la placa de montaje.
- (5) Retire los topes Versa.

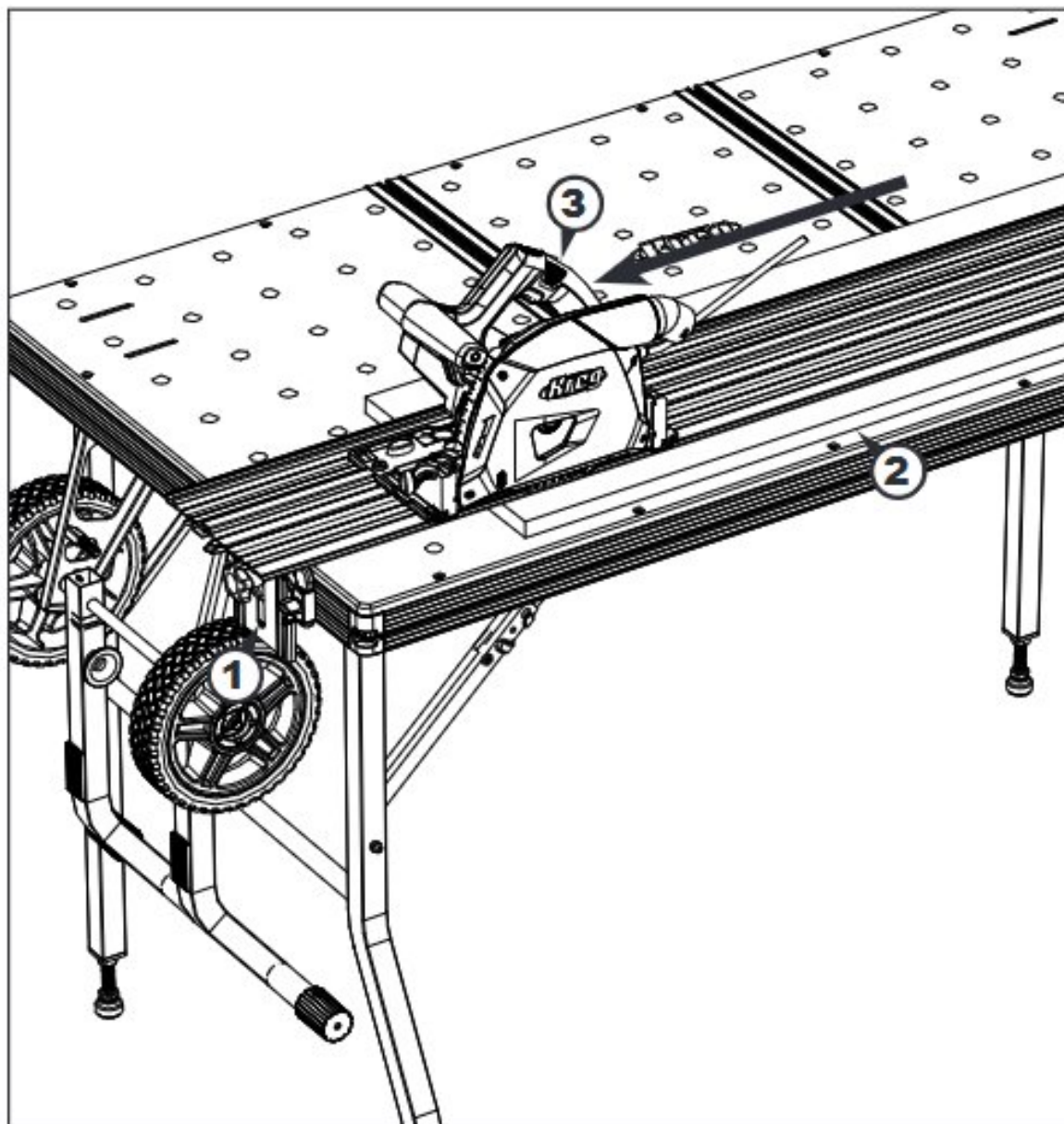
⚠ ADVERTENCIA: use los orificios de los topes Versa para la alineación del riel solamente cuando esté alineando el riel. No coloque los topes Versa en los orificios de alineación del riel para una operación de corte.

⚠ ADVERTENCIA: cuando el riel de guía esté alineado, no retire las placas de montaje de la bisagra de la mesa. Para usar la mesa sin el riel, retire el riel y las bisagras juntas para eliminar la realineación del riel. Para usar el riel y la sierra de manera independiente de la mesa, retire las bisagras del riel. Cada vez que retire la placa de montaje de la bisagra de la mesa o las bisagras del riel, debe volver a alinear el riel.



REGLAS DEL RIEL DE LA MESA

- (1) Ajuste la altura del riel de guía para un material de $\frac{3}{4}$ " (1,90 cm) de grosor (consulte Ajuste del riel de guía para ver los grosores de la pieza de trabajo en la sección USO DE LA MESA DE PROYECTOS).
- (2) Coloque un trozo de contrachapado de $\frac{3}{4}$ " (1,90 cm) debajo del riel de guía para que el contrachapado soporte todo el largo y ancho del riel.
- (3) Establezca la profundidad de corte de la sierra en 1" (2,54 cm), coloque la sierra sobre el riel y corte una muesca de $\frac{1}{4}$ " (0,63 cm) de profundidad en la mesa por el largo total.



⚠ ADVERTENCIA: consulte el manual de la sierra con perforación para conocer la operación adecuada de la sierra.

REGLAS DEL RIEL DE LA MESA



- (4) Deslice una regla de cinta métrica debajo del riel de guía, engánchela en el extremo interior de la muesca de la hoja de la sierra y extienda la cinta pasando la marca de 10" (25,4 cm).
- (5) Deslice una regla principal, primero el extremo con la marca de 8" (20,32 cm), en el canal más cercano al extremo de alimentación (extremo con manija) de la mesa sobre un riel. Presione el extremo principal de la regla en la traba.
- (6) Regule la marca de 10" (25,4 cm) de la regla principal para alinearla con la marca de 10" (25,4 cm) de la regla de cinta métrica.
- (7) Deslice una regla secundaria, primero el extremo de 0" (0 cm), en el segundo canal en el riel, engancho el extremo en el bloqueo de la regla.
- (8) Alinee la marca de 0" (0 cm) en la regla secundaria con la marca de 10" (25,4 cm) en la regla principal.

⚠ ATENCIÓN: las reglas principales deben estar en las ranuras del extremo de alimentación (extremo con manija) en cada riel de la mesa.

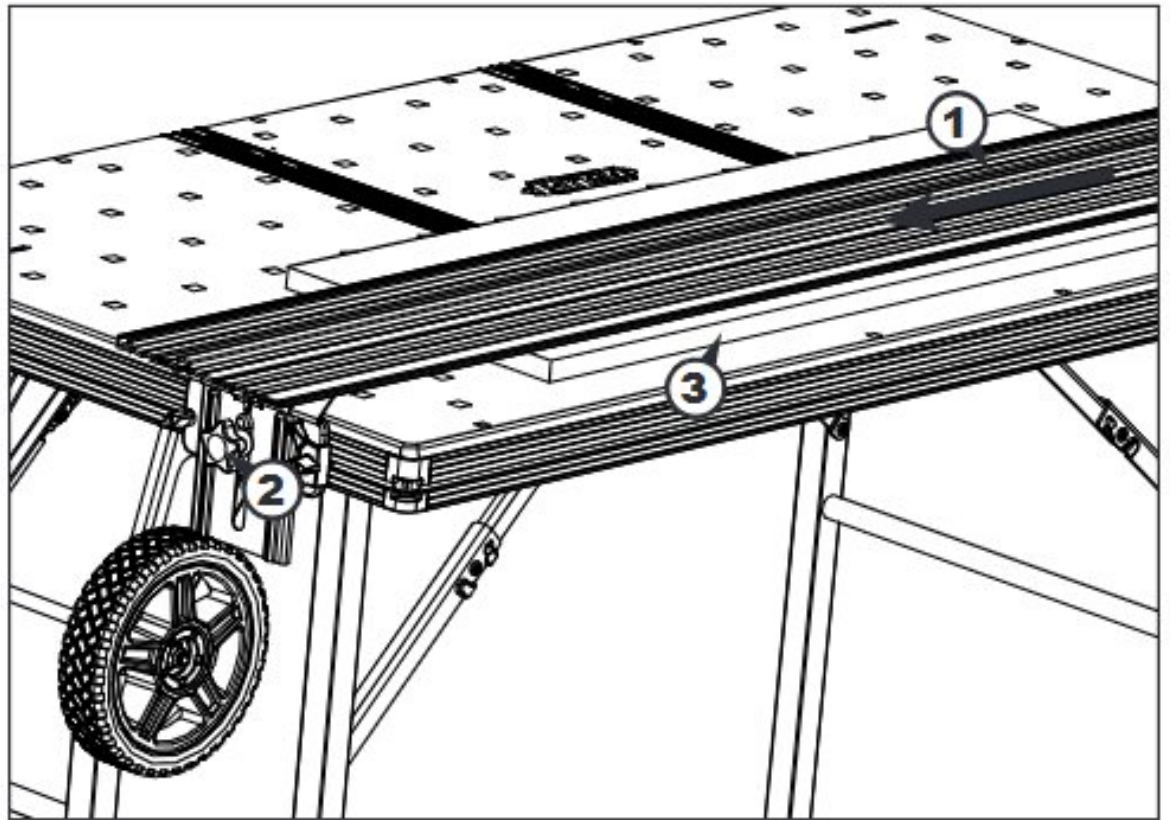
⚠ ATENCIÓN: asegúrese de calibrar las reglas en ambos rieles de la mesa.

Repita estos pasos para instalar las reglas restantes en el otro riel de la mesa.

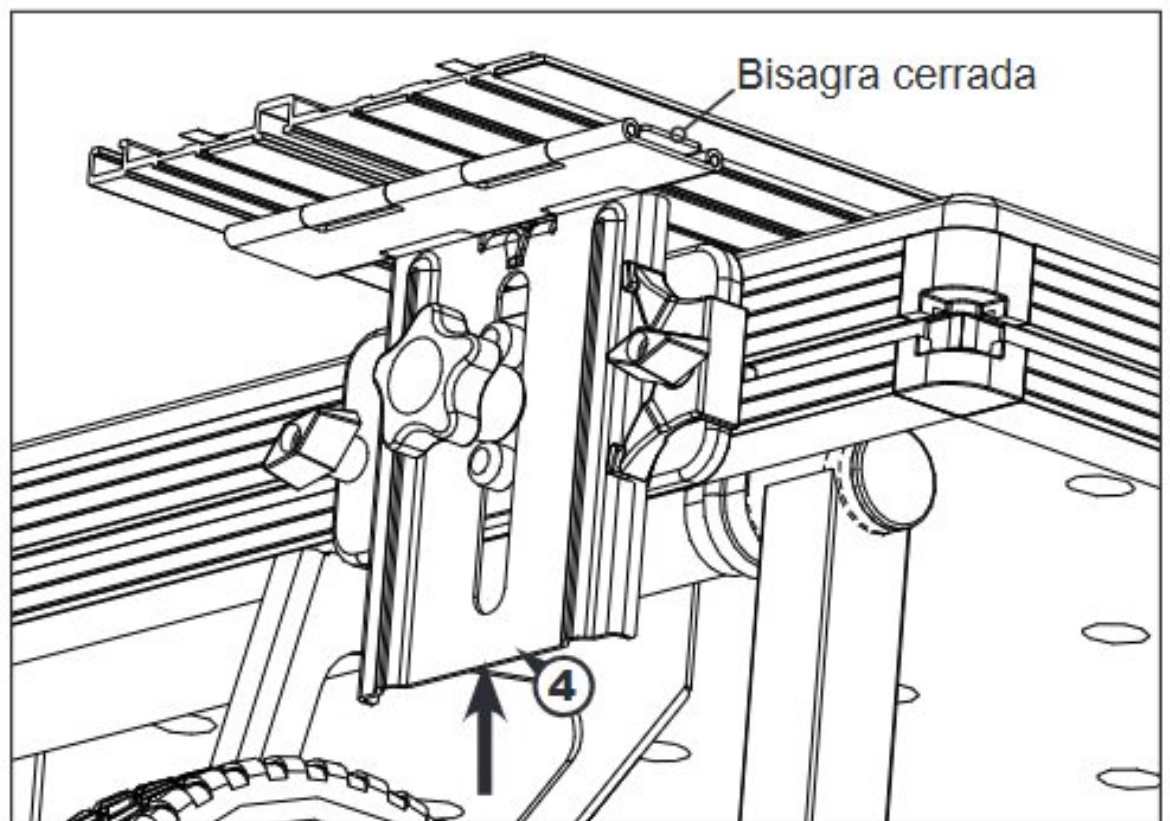
USO DE LA MESA DE PROYECTOS

Ajuste del riel de guía para el grosor de la pieza de trabajo

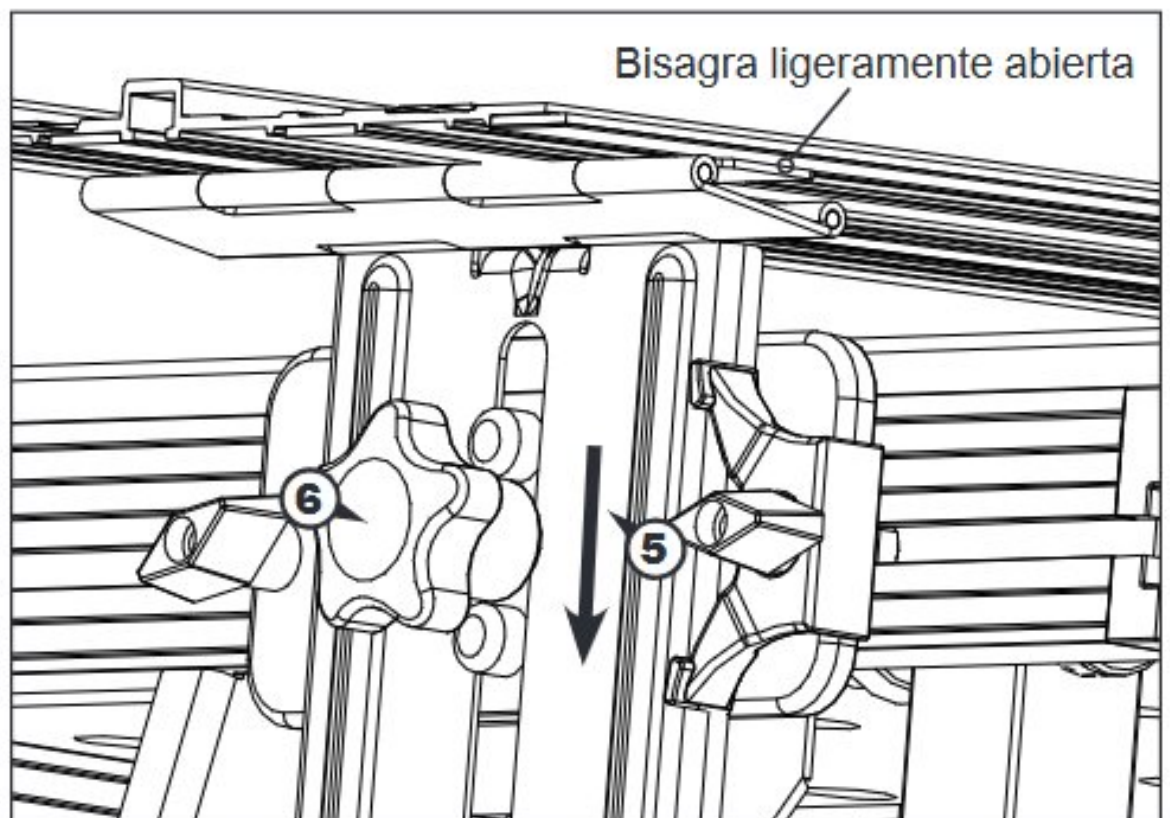
- (1) Eleve el riel de guía a medida que lo gira hacia el extremo de salida para cerrar completamente las bisagras.
- (2) Afloje ambas perillas estrellas de la placa de montaje y baje el riel sobre la mesa. Deje flojas las perillas.
- (3) Coloque la pieza de trabajo debajo del riel de guía.



- (4) Para piezas de trabajo de $\frac{1}{2}$ " (1,27 cm) y más de grosor, eleve la bisagra en posición vertical a un extremo para cerrarla completamente.



- (5) Baje la bisagra en posición vertical de $\frac{1}{8}$ " a $\frac{1}{4}$ " (de 3,17 mm a 6,35 mm) para abrir levemente la bisagra.
- (6) Apriete la perilla estrella. Repita en el otro extremo.



⚠ ATENCIÓN: bajar levemente la bisagra en posición vertical garantiza que el riel de guía repose sobre la pieza de trabajo, lo que permite el contacto completo entre las tiras antideslizantes y la pieza de trabajo.

USO DE LA MESA DE PROYECTOS

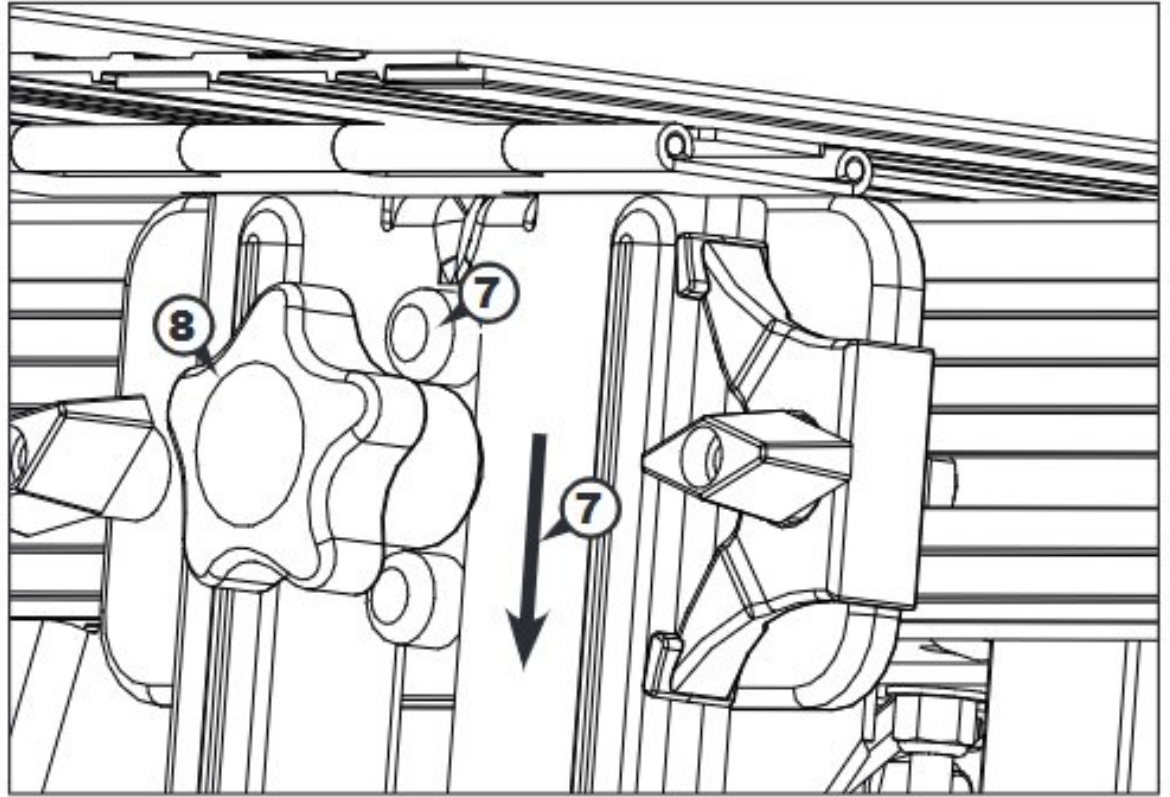
(7) Para piezas de trabajo de menos de $\frac{1}{2}$ " (1,27 cm) de grosor, baje la bisagra en posición vertical hasta que la parte superior de la ranura repose sobre la clavija de la placa de la bisagra.

(8) Apriete la perilla estrella.

Repita en el otro extremo.

TOPES VERSA

Use los topes Versa cortos debajo del riel de guía para colocar las piezas de trabajo hacia abajo a un grosor de $\frac{1}{4}$ " (6,35 mm). Los topes Versa largos sobresalen sobre una pieza de trabajo de $\frac{3}{4}$ " (1,90 cm) de grosor para una confirmación fácil de la alineación de la pieza. Los topes Versa no se pueden colocar debajo del riel de la sierra cuando se cortan materiales con menos de $\frac{1}{4}$ " (6,35 mm) de grosor.



CORTES A 90°

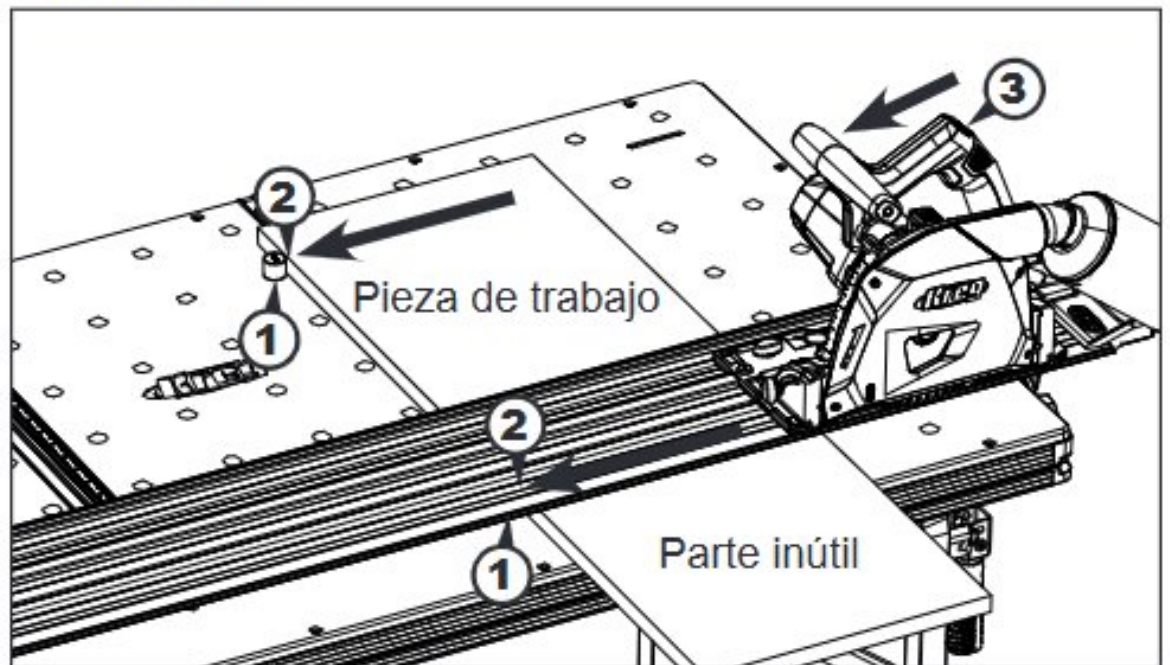
(1) Coloque dos topes Versa en una hilera de orificios perpendicular al riel de guía y tan apartados como lo permita la pieza de trabajo.

⚠ ATENCIÓN: para piezas de trabajo de $\frac{1}{4}$ " (6,35 mm) o más de grosor, se debe colocar un tope Versa corto debajo del riel de guía tan cerca como sea posible de la línea de corte.

(2) Coloque el borde de la pieza de trabajo contra los topes Versa y debajo del riel de guía.

(3) Baje el riel de guía hasta la pieza de trabajo y realice el corte.

⚠ ATENCIÓN: cuando siga las instrucciones para cortes a 90°, verifique la calibración de las reglas del riel de la mesa al establecer un tope repetitivo en la marca de 10" (25,4 cm) y cortar una pieza de trabajo de prueba (consulte Topes repetitivos). Mida la pieza de trabajo y haga los ajustes necesarios en las reglas del riel.



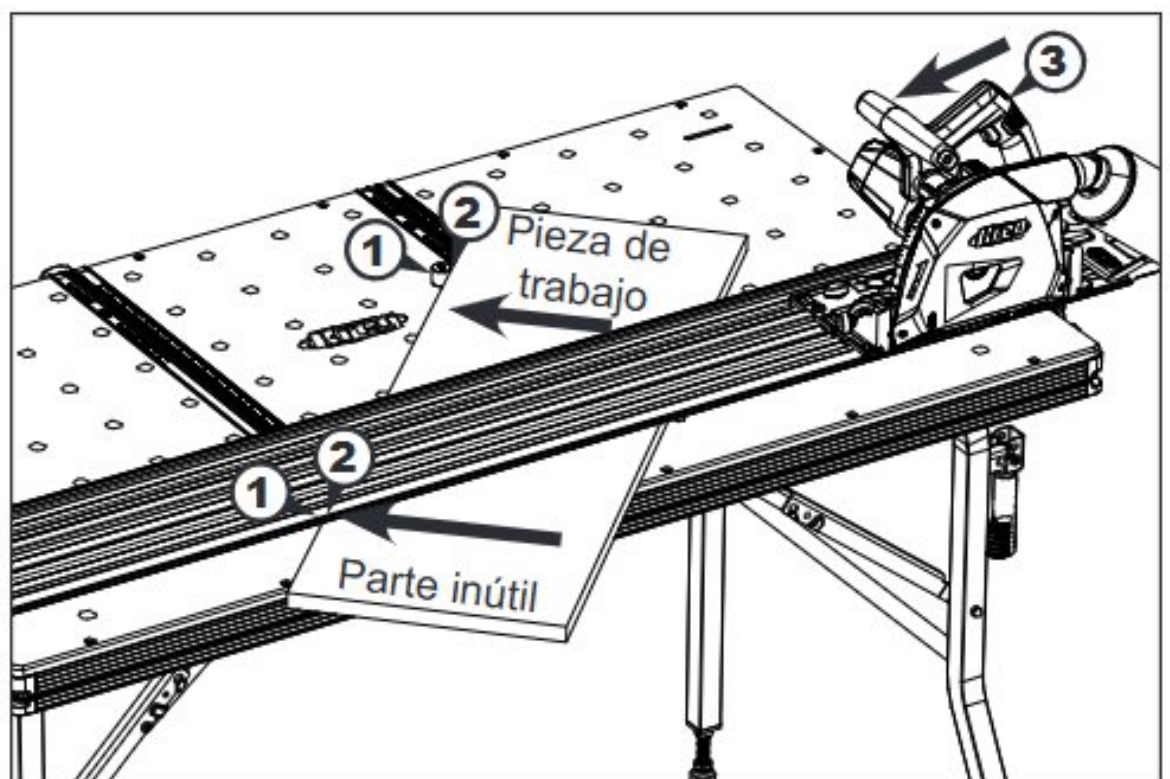
CORTES A 45°

(1) Coloque dos topes Versa en una hilera de orificios en diagonal al riel de guía y tan apartados como lo permita la pieza de trabajo.

⚠ ATENCIÓN: para piezas de trabajo de $\frac{1}{4}$ " (6,35 mm) o más de grosor, se debe colocar un tope Versa corto debajo del riel de guía tan cerca como sea posible de la línea de corte.

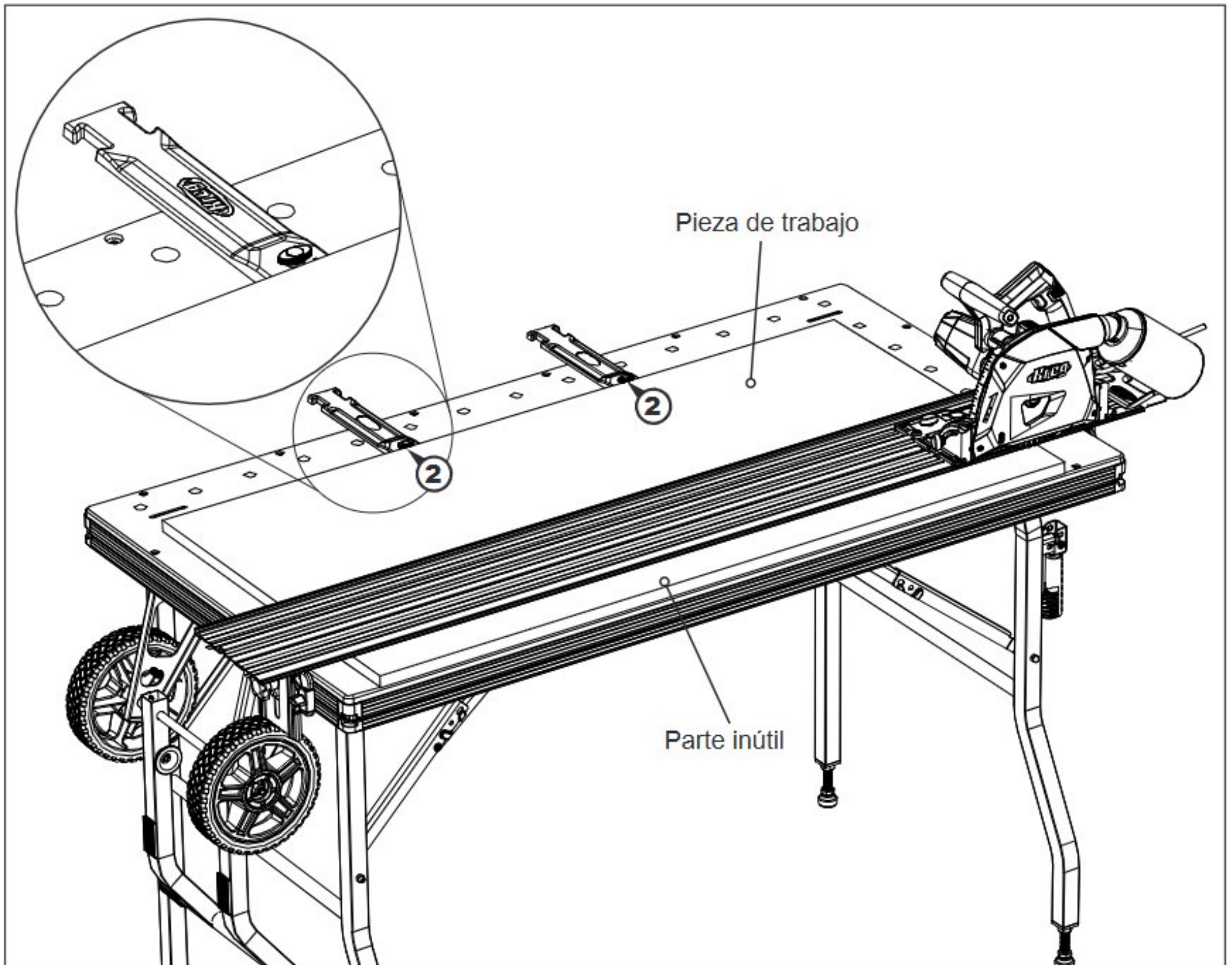
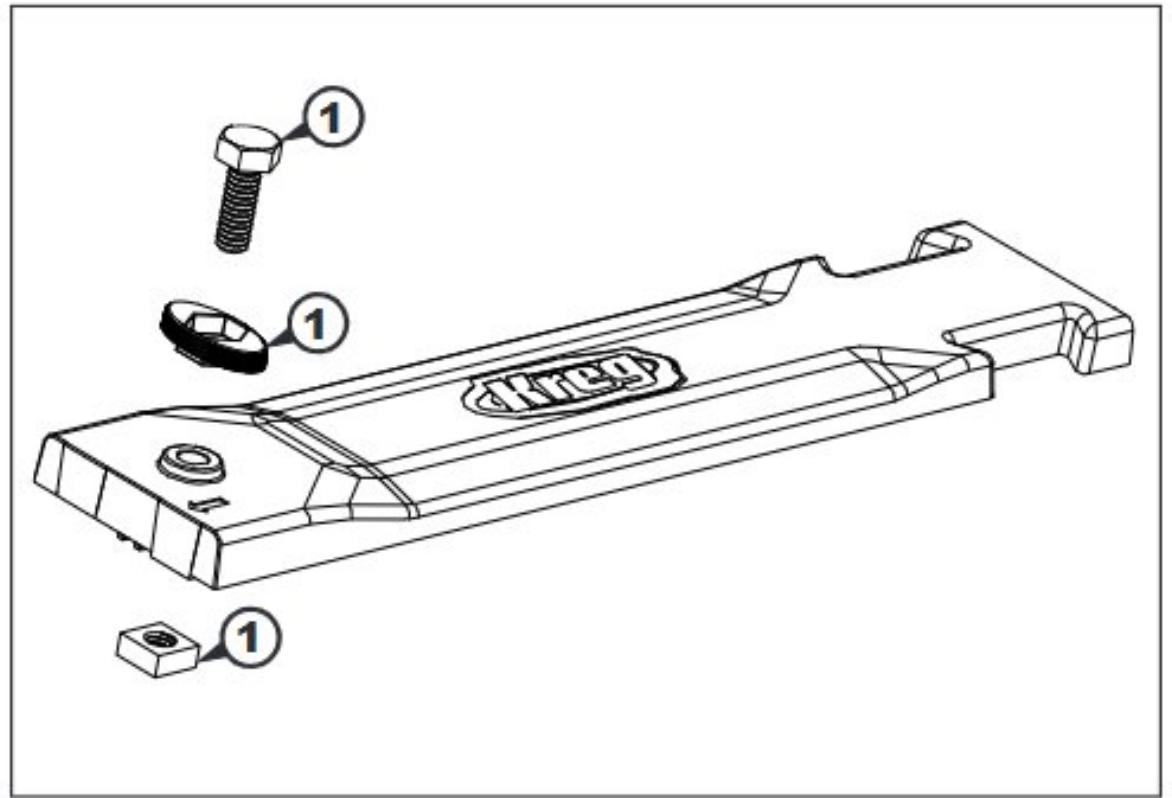
(2) Coloque el borde de la pieza de trabajo contra los topes Versa y debajo del riel.

(3) Baje el riel hasta la pieza de trabajo y realice el corte.



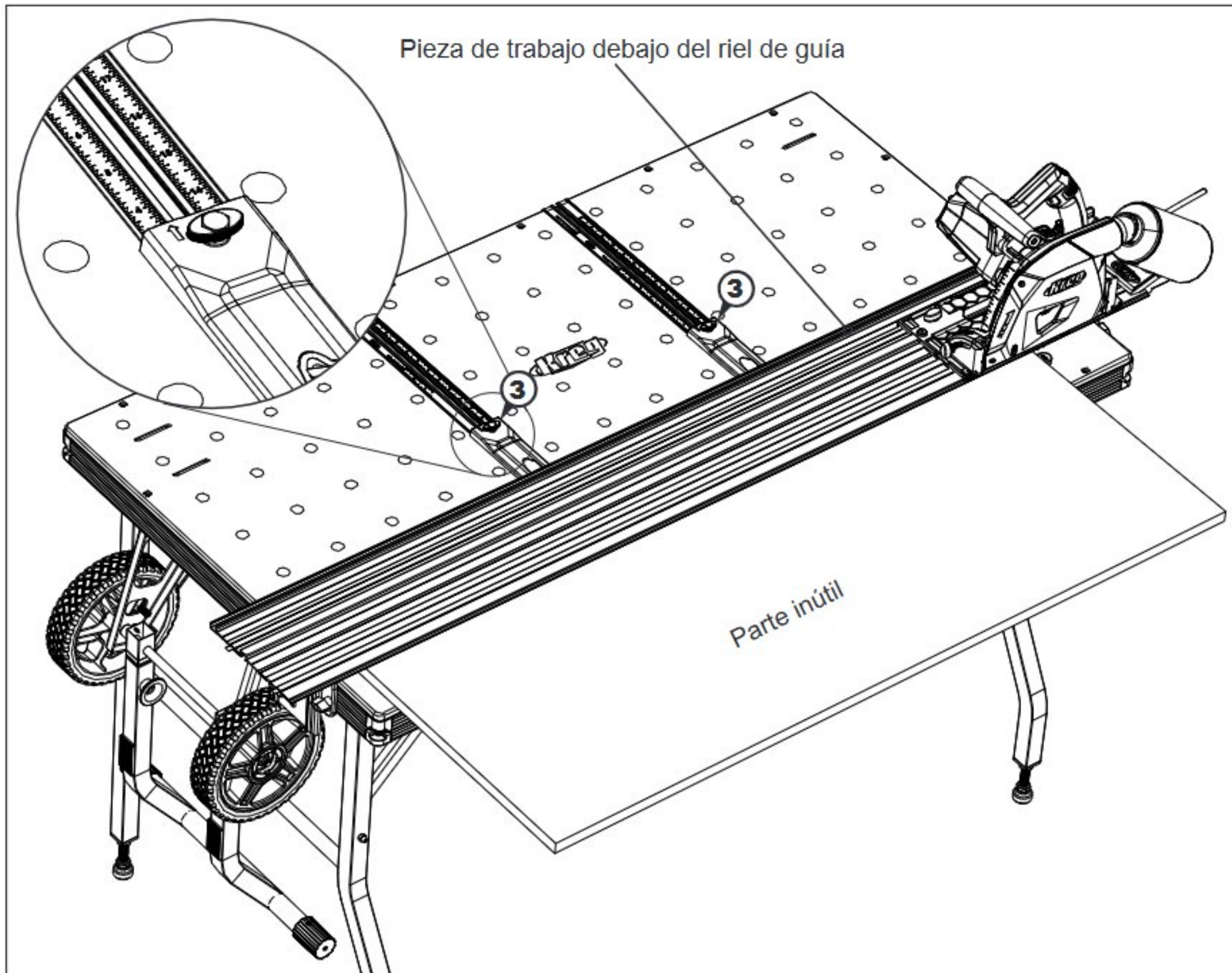
TOPES REPETITIVOS

- (1) Instale el perno de cabeza hexagonal de color negro, la perilla y las tuercas cuadradas en los topes repetitivos. Apriete los ensambles para insertar las cabezas de los pernos en la perilla y luego aflójelos medio giro. Deslice las tuercas cuadradas en las ranuras en T del riel de la mesa.



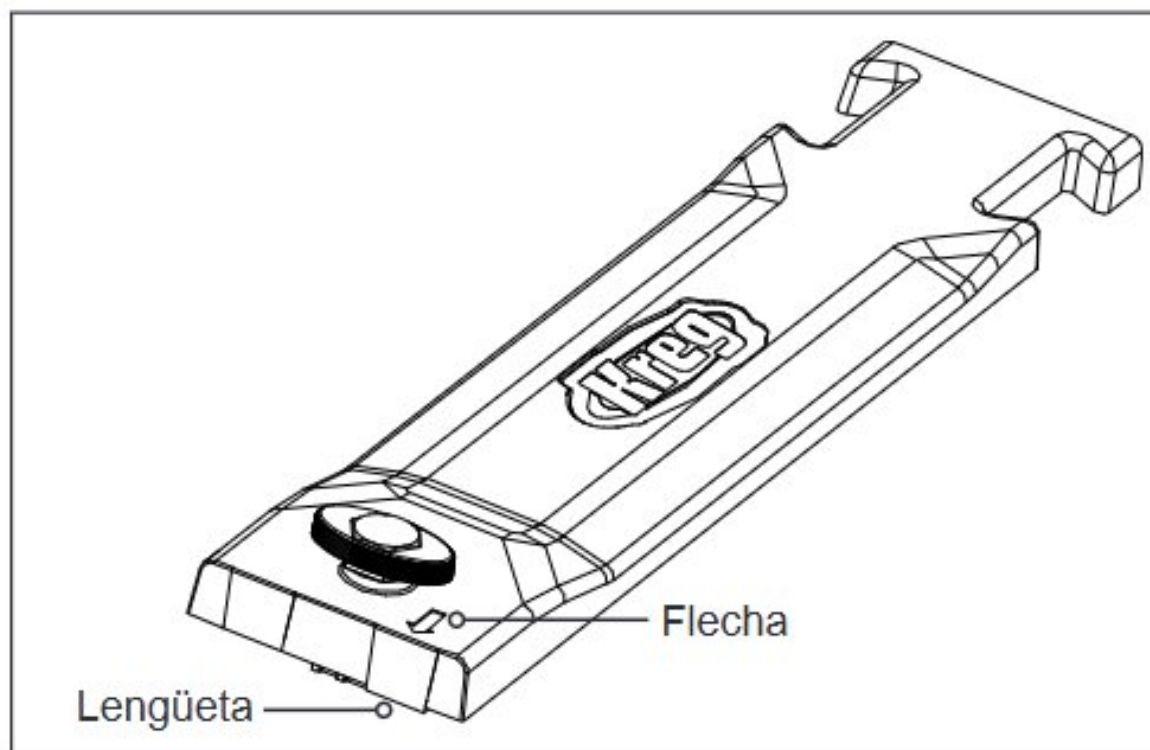
- (2) Para cortes de 8" (20,35 cm) a 25" (63,50 cm) de ancho, oriente el tope con perilla en la parte delantera y alinee el extremo de la perilla del tope con la dimensión de corte deseada en la regla principal.

TOPES REPETITIVOS



(3) Para cortes de 1" (2,54 cm) a 8" (20,35 cm) de ancho, oriente el tope con la perilla en la parte trasera y alinee el extremo de la perilla con la dimensión de corte deseada en la regla secundaria. Para cortes de menos de 7" (17,78 cm) de ancho, los extremos de los topes se extienden por debajo del riel de guía.

⚠ ATENCIÓN: independientemente de la orientación del tope repetitivo, siempre alinee la lengüeta en el extremo del tope indicado por la flecha con la dimensión de la regla principal o secundaria. La lengüeta siempre indica la dimensión en la regla correcta.



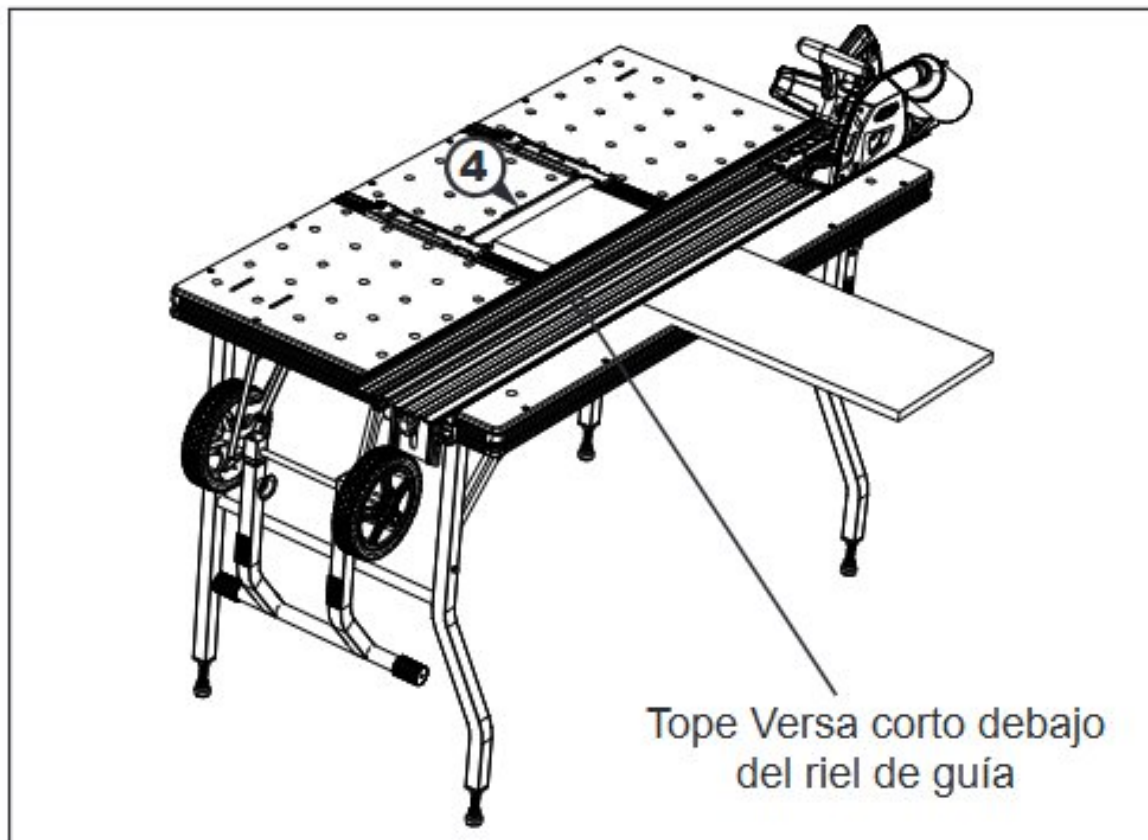
TOPES REPETITIVOS

- (4) Cuando corte piezas de trabajo cortas, instale la barra de unión entre los topes repetitivos. Use las reglas para posicionar cada tope. No dependa de la barra de unión para alinear los topes. Cuando regule la posición de los topes unidos, mueva ambos simultáneamente para evitar el trabamiento.

⚠ ATENCIÓN: las clavijas en cola de milano en los extremos de la barra de unión y las ranuras de los cuerpos de los topes tienen forma cónica. Instale y retire la barra de unión de la superficie.

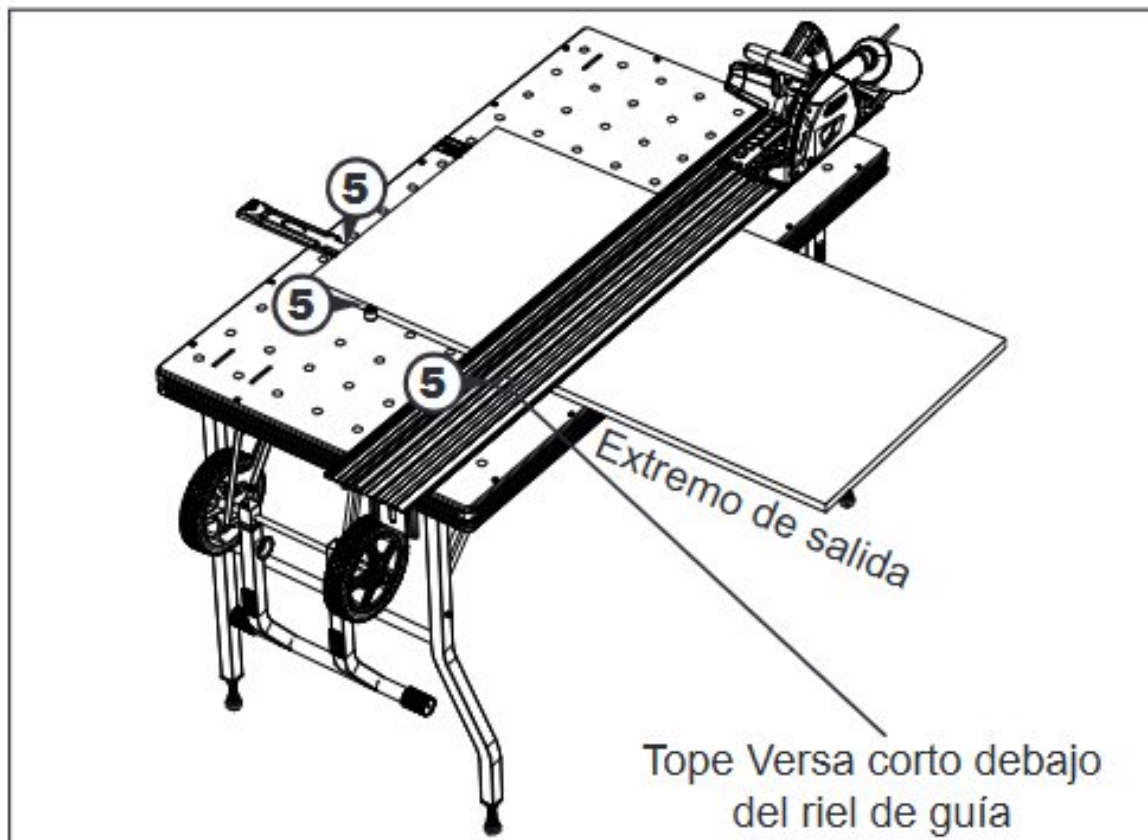
⚠ ATENCIÓN: use la barra de unión para apoyar piezas de trabajo de 3" (7,62 cm) a 16" (40,64 cm) de largo. Apoye el riel de guía con material que no utilice que sea del mismo grosor que la pieza de trabajo cuando corte piezas de más de 16" (40,64 cm) de largo o menos de 5" (12,7 cm) de ancho.

⚠ ATENCIÓN: cuando realice cortes de menos de 1" (2,54 cm) de ancho, apoye el riel de guía con material que no utilice que sea del mismo grosor que la pieza de trabajo para evitar que el riel se vuelque o se desvíe, y tenga cuidado al cortar. No intente cortar una pieza de trabajo de menos de 3" (7,62 cm) de largo.



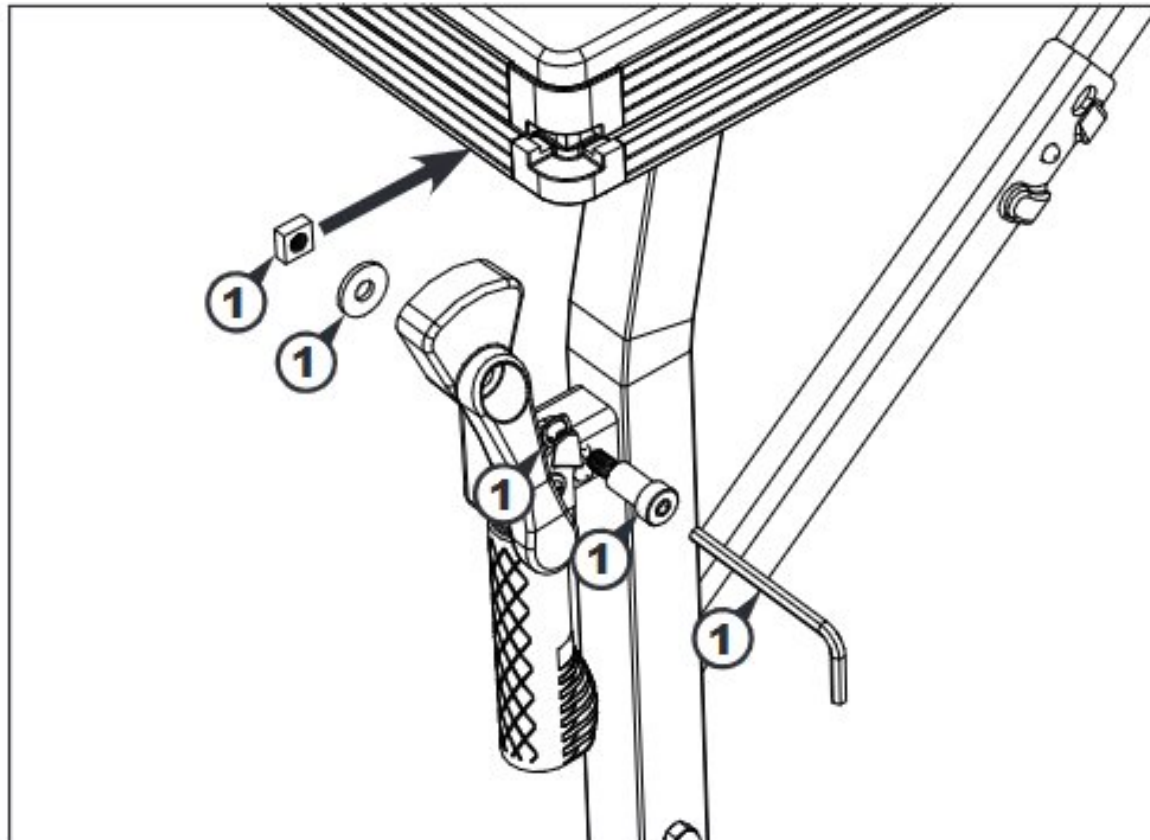
- (5) Cuando corte, tenga siempre tres puntos de apoyo, usando dos topes repetitivos más un tope Versa o un tope repetitivo más dos topes Versa. Siempre coloque al menos un tope Versa en el extremo de salida de la pieza de trabajo para contrarrestar la presión que ejerce la sierra.

⚠ ATENCIÓN: para piezas de trabajo grandes, use dos topes Versa anchos para alinear la pieza de trabajo a medida que la desliza debajo del riel.



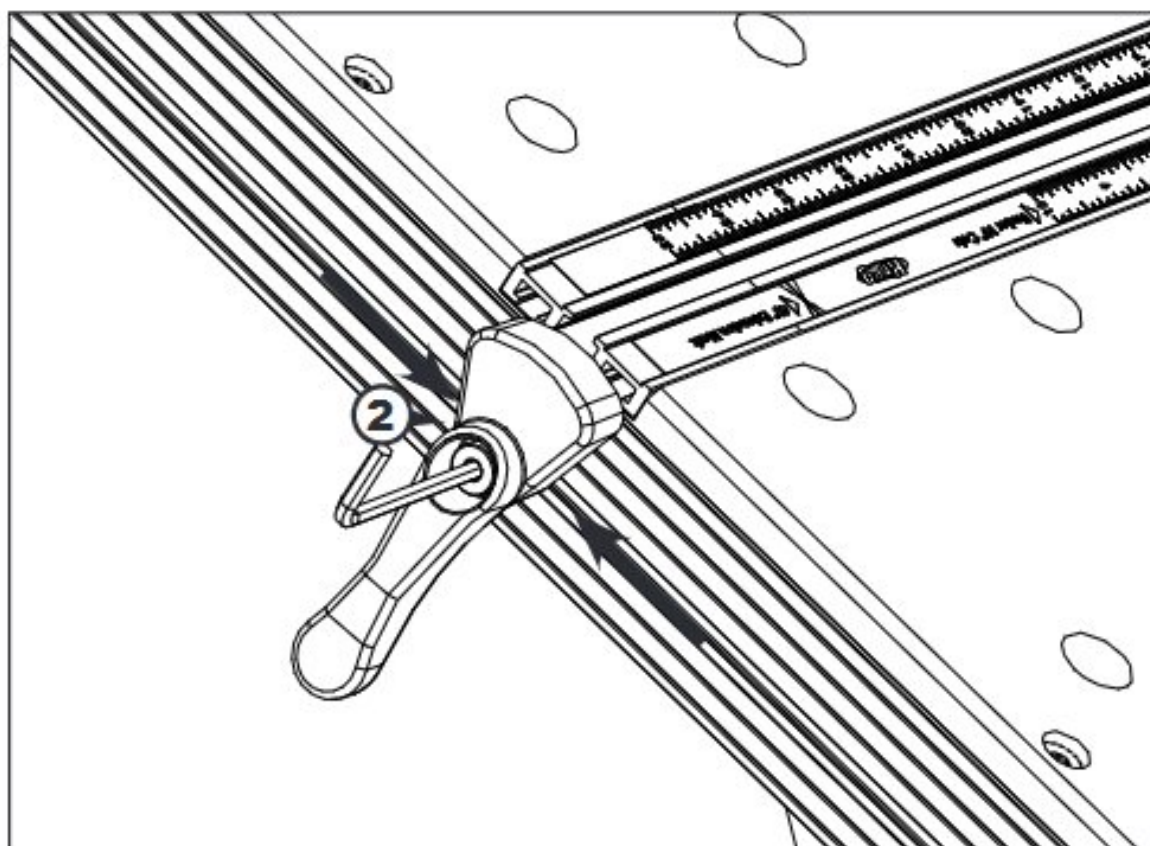
TOPE DE EXTENSIÓN DE 48" (121,92 CM)

- (1) Ensamble el perno de hombro, la arandela ondulada, la manija de leva, la arandela y la tuerca en T con la llave inglesa hexagonal provista, y deslice la tuerca en la ranura en T del riel del perímetro de la mesa.



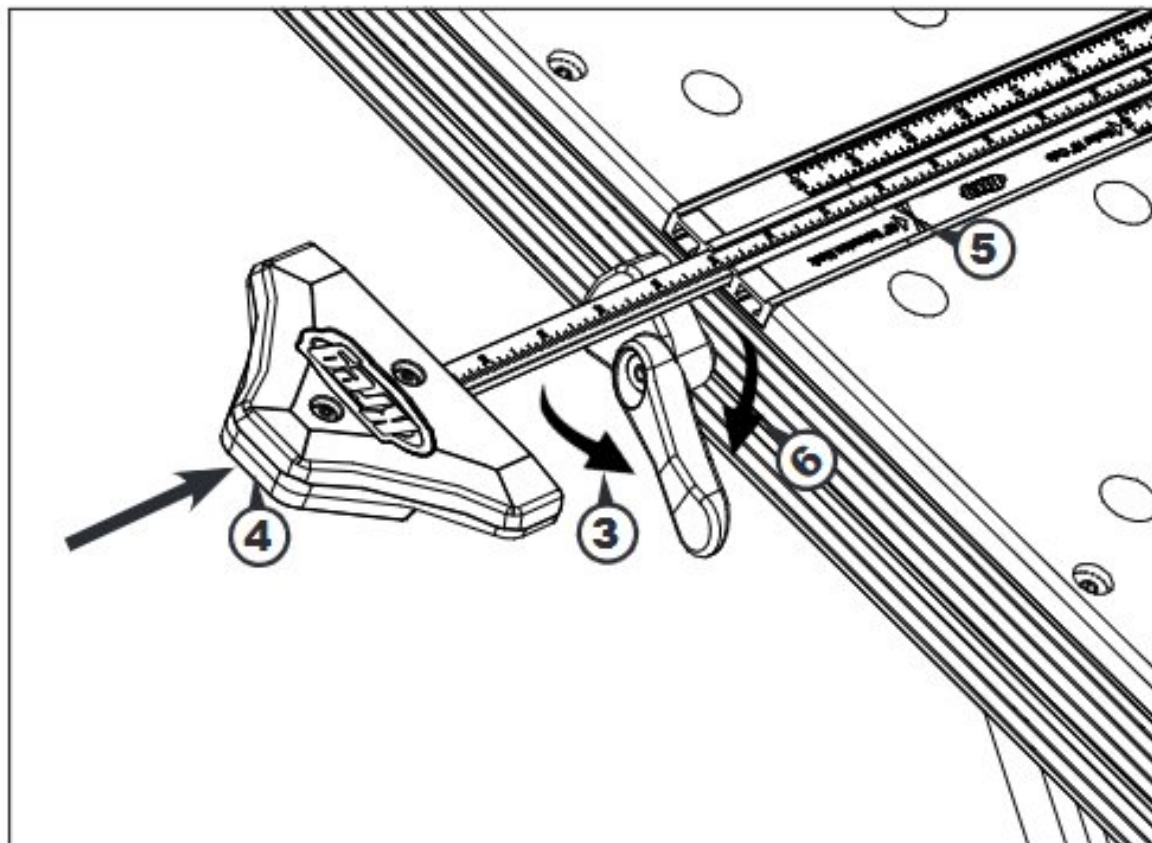
- (2) Con la manija de leva en posición vertical, centre debajo de la ranura en T del riel de la mesa y apriete el perno.

⚠ ATENCIÓN: use siempre el riel de la mesa tan cerca del extremo de alimentación de la mesa como lo permita la pieza de trabajo.



TOPE DE EXTENSIÓN DE 48" (121,92 CM)

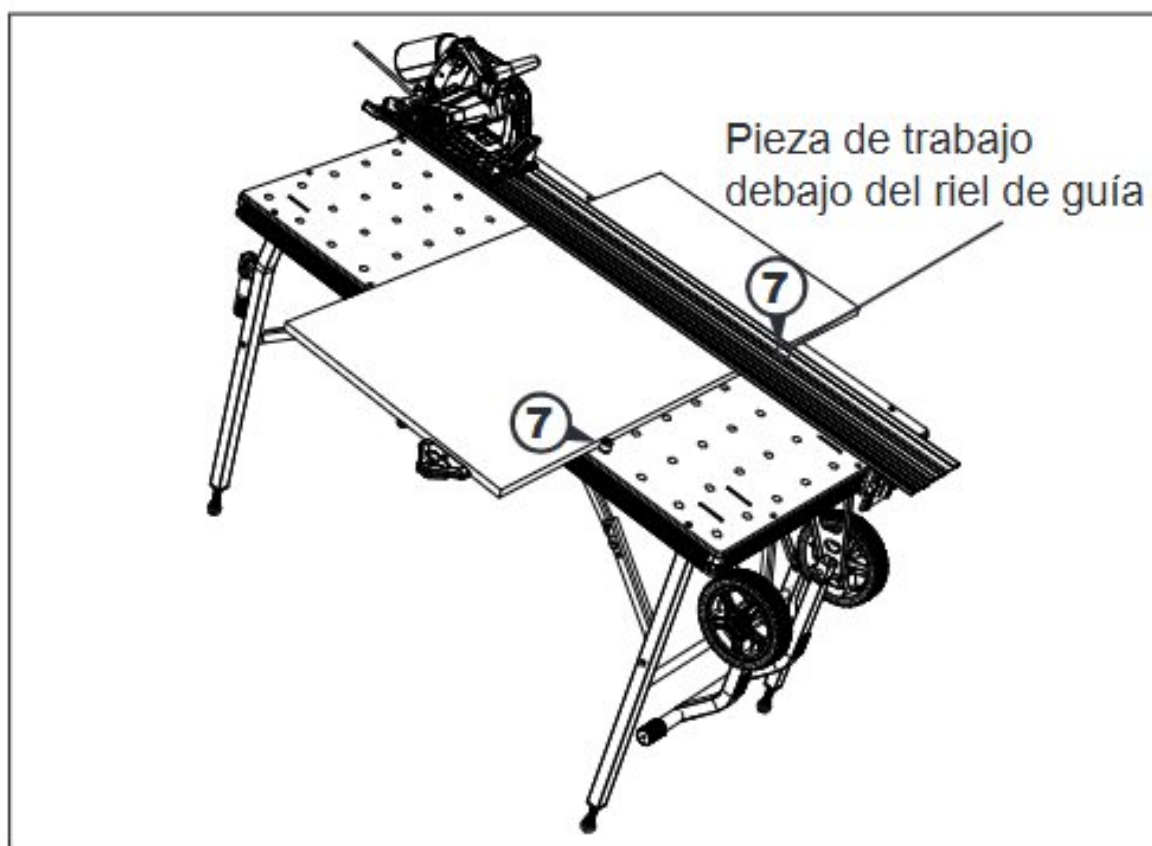
- (3) Gire la manija de leva hacia un lado.
- (4) Deslice la barra de extensión en la ranura en T.
- (5) Alinee la dimensión deseada en la barra del tope de extensión de 48" (121,92 cm) con la marca del tope de extensión de 48" (121,92 cm) en la regla secundaria del riel de la mesa.
- (6) Gire la manija de leva para bloquear el tope en su lugar.



⚠ ATENCIÓN: solo gire la manija de leva lo suficiente para bloquear la barra. No debe estar en posición vertical.

- (7) Instale dos topes Versa en el extremo de salida de la pieza de trabajo para evitar que se mueva y realice el corte.

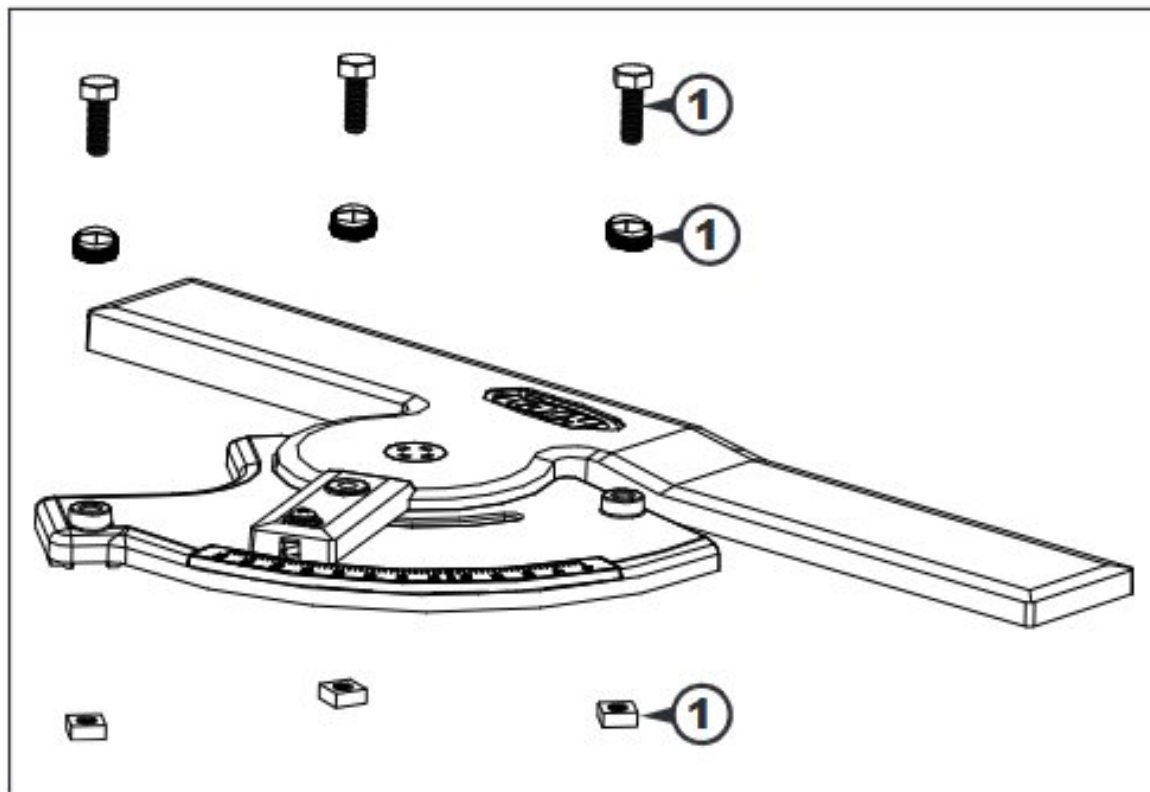
⚠ ATENCIÓN: cuando posicione una pieza de trabajo, presiónela siempre primero contra los topes Versa y luego deslícela hacia los lados hasta que toque la extensión de 48" (121,92 cm). Los topes Versa soportan mucha presión, pero la extensión no.



GUÍA DE INGLETE

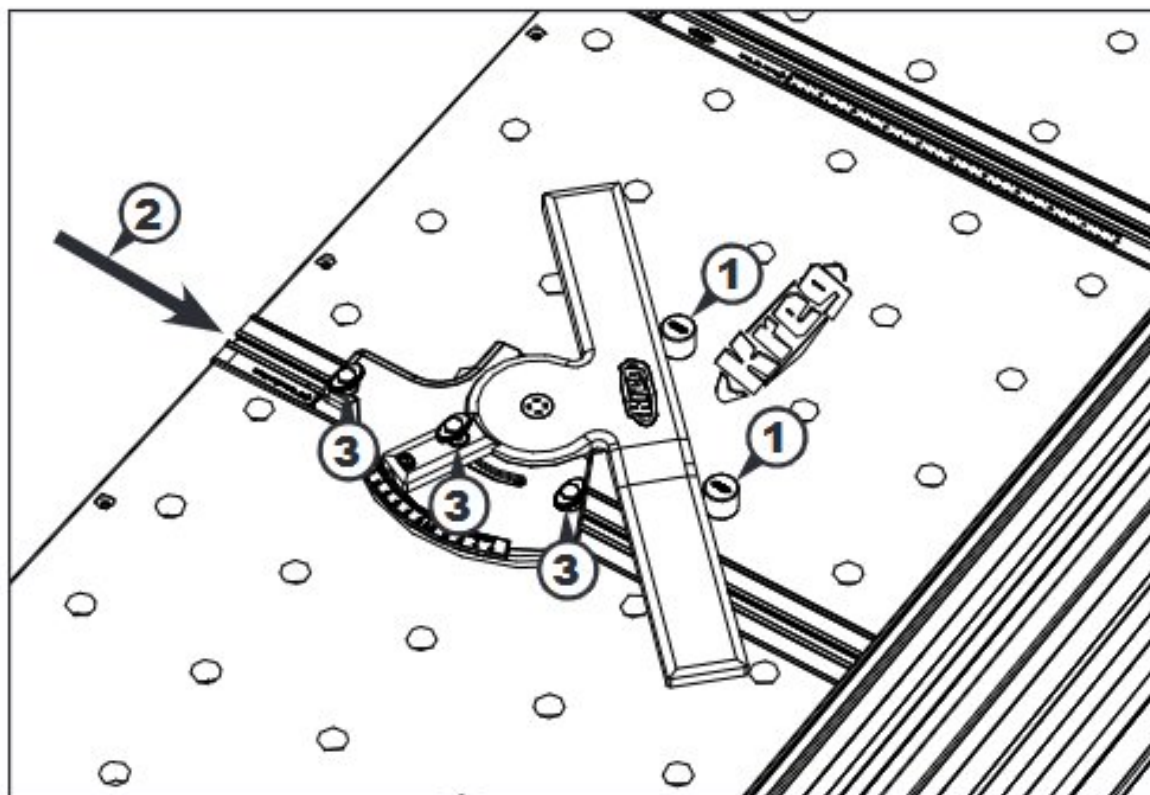
Ensamblaje

- (1) Instale los tres pernos de cabeza hexagonal de color negro, las perillas y las tuercas cuadradas en la guía. Apriete los ensambles para insertar las cabezas de perno en las perillas y luego aflójelos medio giro.

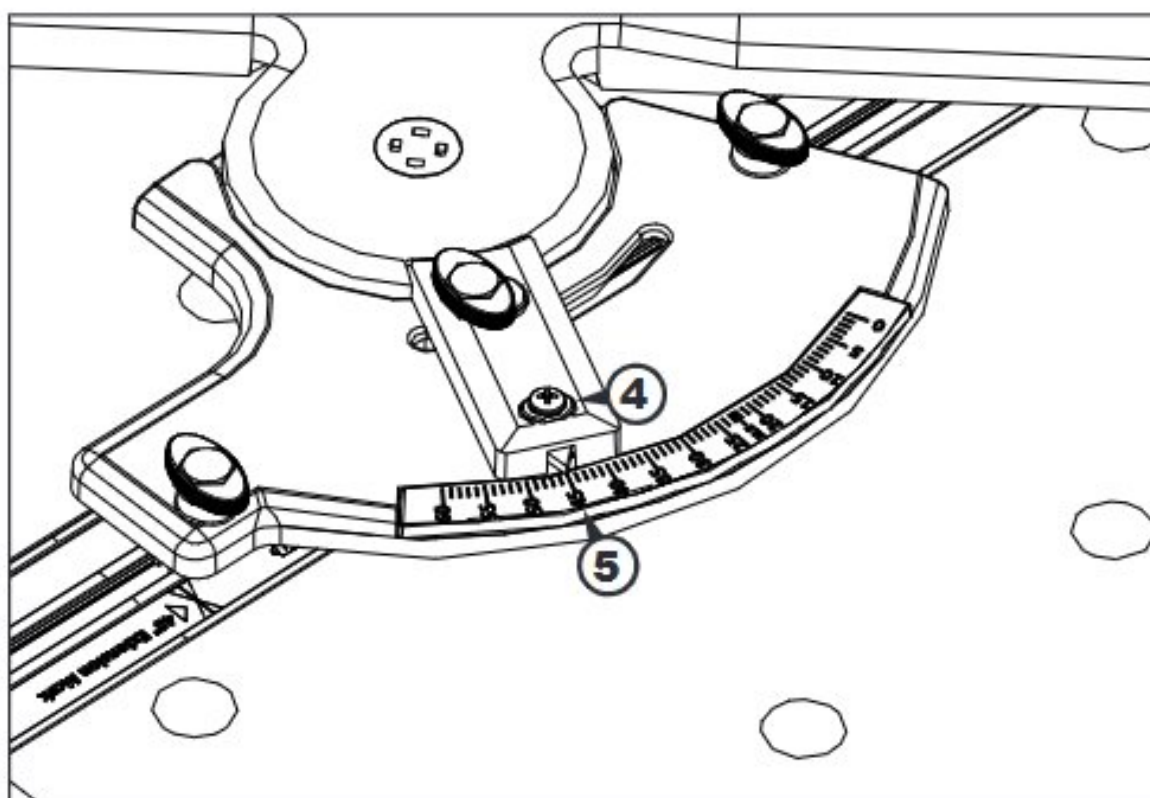


Calibración

- (1) Posicione dos topes Versa en una hilera de orificios en diagonal a 45°.
- (2) Con la guía ajustable orientada hacia el extremo de alimentación de la mesa, deslice las dos tuercas cuadradas con ancla de expansión en la base en la ranura en T del riel de la mesa hasta que la guía entre en contacto con ambos topes Versa.
- (3) Mantenga la guía en su lugar y apriete las tres perillas.



- (4) Afloje el tornillo del puntero con un destornillador Phillips.
- (5) Alinee el puntero con la marca de 45° en la báscula de ángulo. Sostenga con firmeza el puntero en posición de alineación y vuelva a apretar el tornillo.



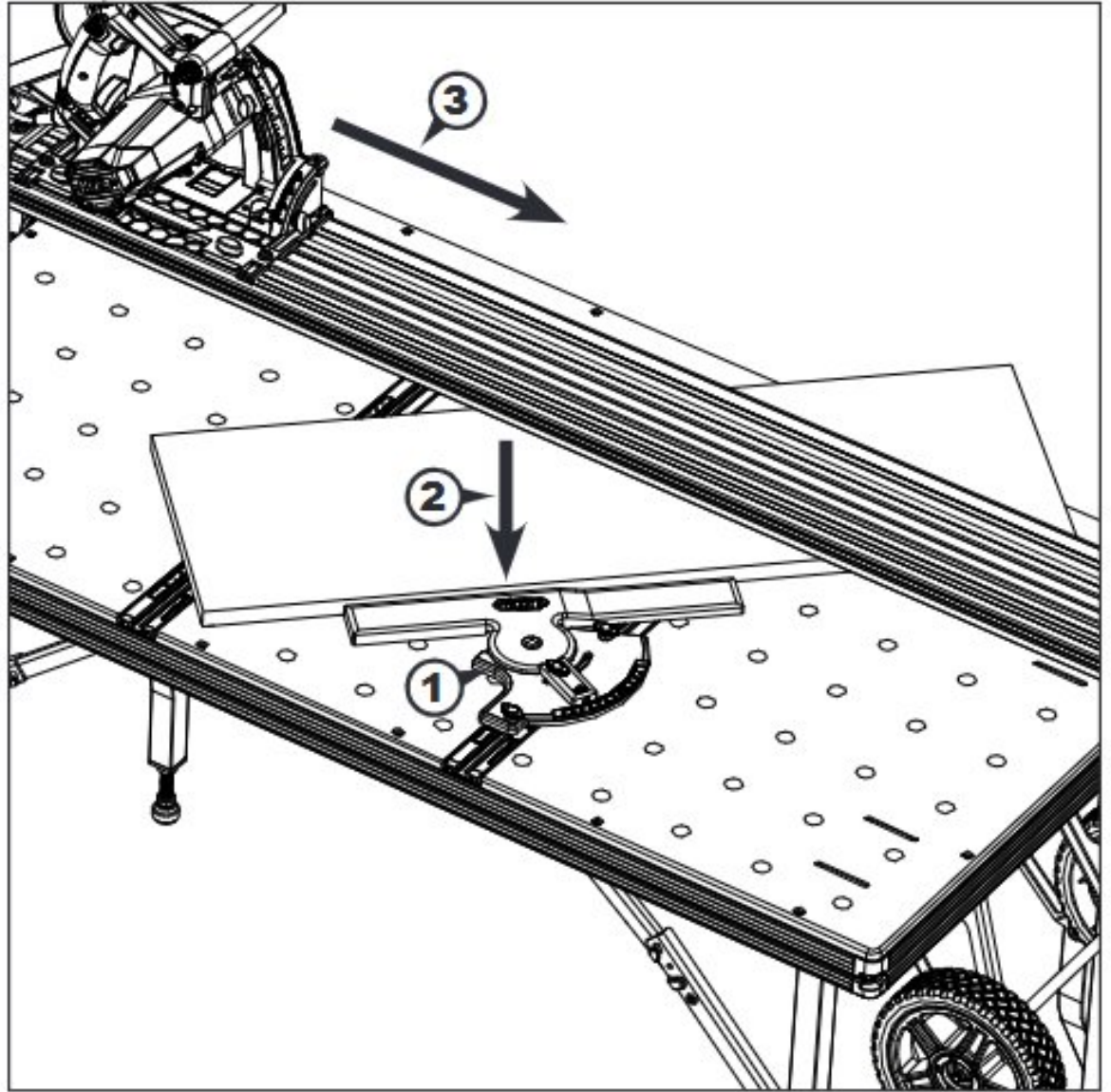
GUÍA DE INGLETE

Uso de la guía del inglete

- (1) Instale la guía de inglete en el riel de la mesa con la guía ajustable orientada hacia el extremo de alimentación de la mesa. El ancho de la pieza de trabajo determina qué riel usar. Ubique la guía de inglete lo más cerca posible del riel de guía.
- (2) Posicione la pieza de trabajo debajo del riel de guía y contra la guía de la guía de inglete. Aplique presión moderada al centro de la guía de inglete para evitar desviar la guía.
- (3) Baje el riel de guía hasta la pieza de trabajo y realice el corte.

⚠ ATENCIÓN: siempre posicione la guía de inglete de modo que la presión de corte sea hacia delante de la guía y no alejándose de esta.

⚠ ATENCIÓN: para obtener mejores resultados cuando realice cortes a 90° y 45°, no use la guía de inglete. Posicione la pieza de trabajo con topes Versa (consulte **Topes Versa**).

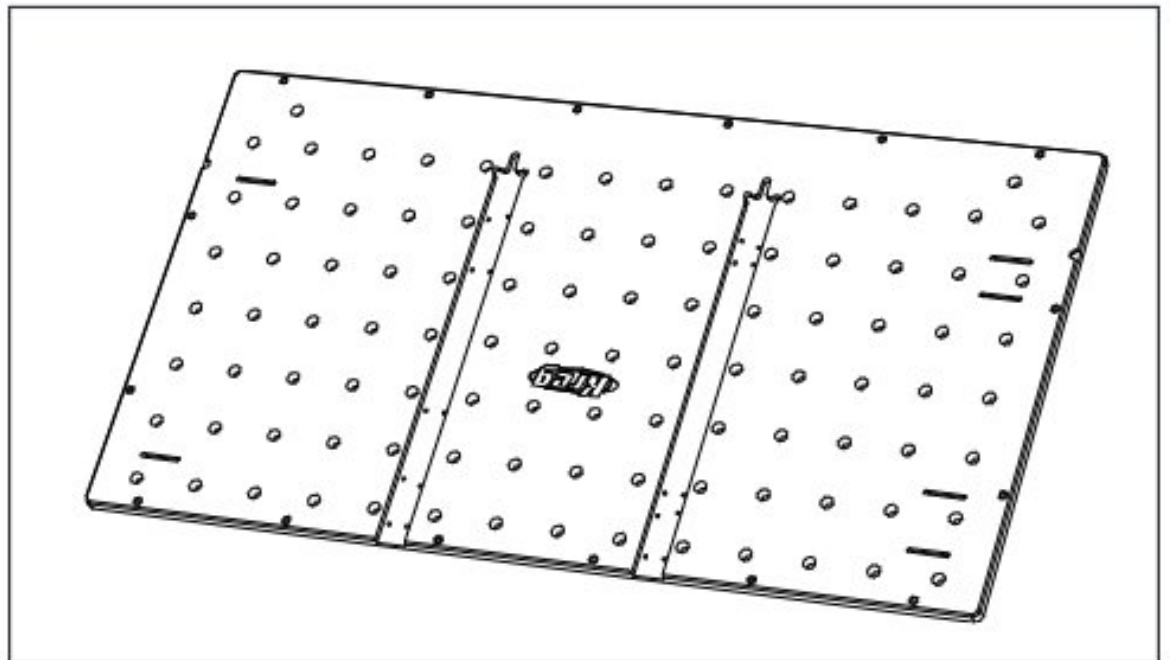


PIEZA DE REPUESTO

Superficie de repuesto de la mesa de proyectos ACS

Reemplace una superficie de trabajo dañada o desgastada con una superficie con mecanizado de precisión.

Comuníquese con los distribuidores de ACS, con el Servicio al Cliente de Kreg o visite Kregtool.com.



CUÉNTENOS SOBRE SU EXPERIENCIA. SU OPINIÓN CUENTA.

Siempre trabajamos para mejorar los productos Kreg® y su satisfacción con ellos para que tenga excelentes experiencias de construcción de proyectos. Puede ayudar compartiendo su retroalimentación en www.kregtool.com/feedback. Solo toma un par de minutos y nos estará ayudando a crear productos y brindar un soporte que sirva mejor a sus necesidades.



www.kregtool.com • 800.447.8638
201 Campus Dr, Huxley, IA 50124
Kreg Enterprises Inc.

For assistance with any Kreg product, contact us through our Web site or call Customer Service.

Si vous avez besoin d'aide concernant les produits Kreg, communiquez avec nous sur notre site Web ou appelez notre service à la clientèle.

Si requiere asistencia con cualquier producto Kreg, póngase en contacto con nosotros a través del sitio web o llame al Servicio al Cliente.